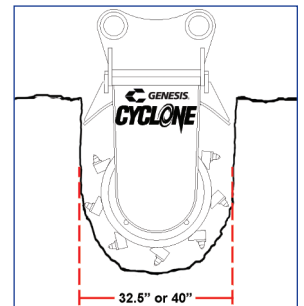


Cyclone (GC)

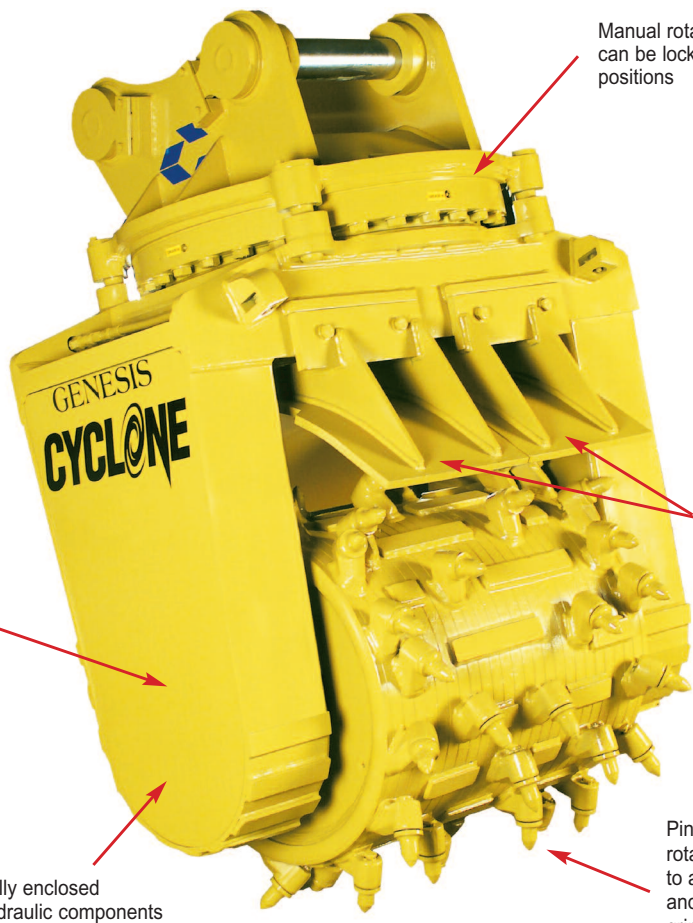
APPLICATIONS

- Trenching
- Quarry Work
- Demolition
- Tunneling & Mine Work
- Soil Remediation
- Lock & Dam Reconstruction
- Concrete Milling/Resurfacing
- Waterfront Rejuvenation

TRENCHING DETAILS



The Genesis Cyclone can generate a minimum trench width of 32.5" or 40", depending on the Cyclone model used.



Manual rotation (MR) models can be locked into one of four positions

Heavy-duty hydraulic motor and gearbox with a direct drive system ensure solid performance

Fully enclosed hydraulic components

Short, two-piece rock shield allows easier use in narrower trenches

Pin-on carbide teeth rotate while cutting to allow even wear and a better grinding point

Model Number	Weight (lbs.)	Overall Height (ins.)	Overall Width (ins.)	Drum Width (ins.)	Drum Diameter (w/teeth)	Oil Flow (gpm)	Hydraulic Pressure (psi)	Minimum Excavator Wt. (lbs.)
GC 550	5,550	57.5	47.5	24	32.5	60-100	4,500	70,000
GC 550 MR	6,200	64.5	47.5	24	32.5	60-100	4,500	70,000
GC 950	8,000	70	57.5	35	40	90-120	4,500	100,000
GC 950 MR	8,800	77	57.5	35	40	90-120	4,500	100,000

All Genesis "MR" model Cyclones feature manual rotation capability. All Genesis Cyclones are covered by a 12-month, 1,500-hour (whichever occurs first) warranty. Genesis reserves the right to continually make product improvements designed to positively enhance product performance.