



GENESIS[®]

The Promise of Performance.

Hydraulic Breaker (GHB 12,000)

PARTS MANUAL



CONTACT INFORMATION

Genesis Attachments

1000 Genesis Drive
Superior, WI 54880 USA

Toll Free: 888-SHEAR-IT
(888-743-2748)

Phone: 715.395.5252

E-mail:
info@genesisattachments.com

Europe/Africa/Middle East Genesis GmbH

Teramostrasse 23
87700 Memmingen, Germany

Phone: +49 83 31 9 25 98 0
Fax: +49 83 31 9 25 98 80
genesis-europe.com

E-mail:
info@genesis-europe.com

Asia Pacific Representative Office

24 Upper Serangoon View #12-28
Singapore 534205

Phone: +65 9673 9730

E-mail:
tchoo@genesisattachments.com

Central America & Colombia

Cra 13A #89-38 / Ofi 613
Bogota, Colombia

Phone: +57 1 610 8160 / 795 8747

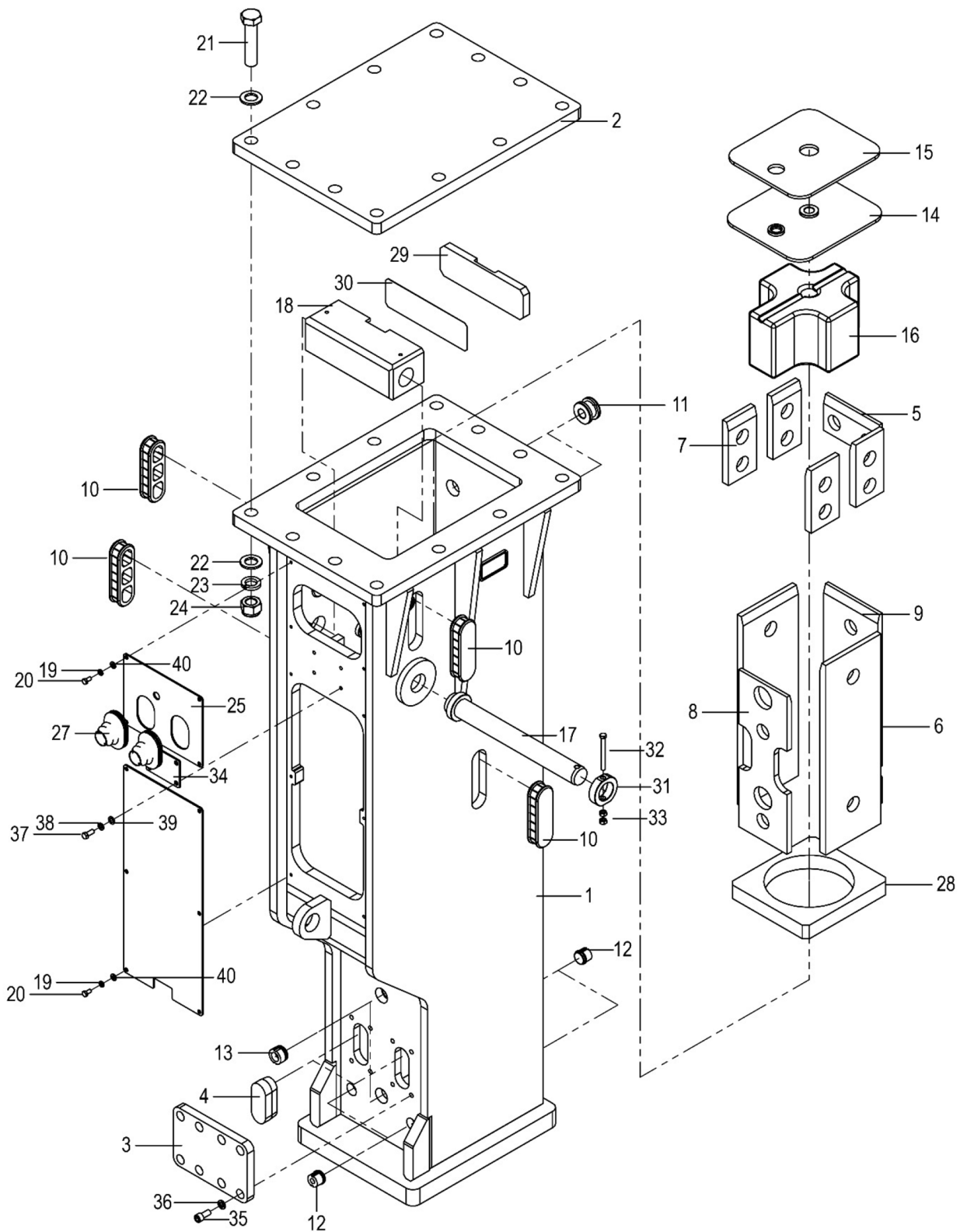
E-mail:
contact@themsagroup.com

View and download all manuals: genesisattachments.com/manuals
Patents: genesisattachments.com/products/patents

TABLE OF CONTENTS

CONTACT INFORMATION	2
HOUSING ASSEMBLY	4
AUTO GREASE CARTRIDGE	6
HAMMER ASSEMBLY	8
BACK HEAD ASSEMBLY	10
CYLINDER ASSEMBLY	12
FRONT HEAD ASSEMBLY	14
ACCUMULATOR ASSEMBLY	16
VALVE BLOCK ASSEMBLY	18
GAS CHARGING KIT	20
WARRANTY	21
PARTS ORDER POLICY AND PROCEDURE	22
PARTS ORDER FORM	23
INDEX	24
CONTACT INFORMATION	26

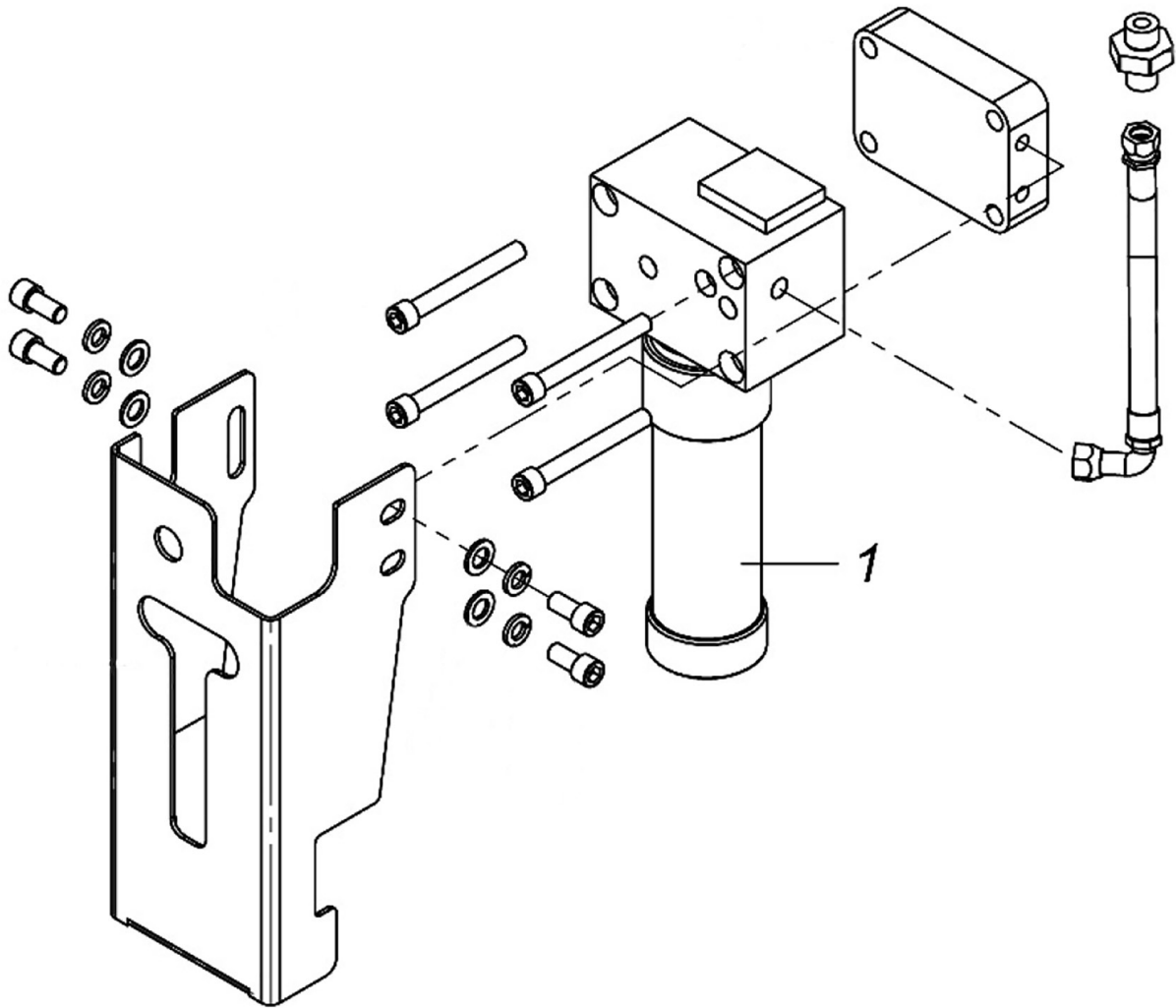
HOUSING ASSEMBLY



HOUSING ASSEMBLY

ITEM	QTY	PART NUMBER	DESCRIPTION
	1		Housing Group
1	1	07-9305	Housing Weldment
2	1	07-9106	Top Cover Plate
3	1	07-9107	Housing Toolpin Cover
4	2	07-9108	Toolpin Cover
5	1	07-8891	Wearing Plate
6	2	07-9109	Wearing Plate
7	4	07-9110	Wearing Plate
8	1	07-9111	Wearing Plate
9	1	07-9112	Wearing Plate Bottom
10	4	07-8892	Rubber Plug
11	2	07-8909	Rubber Plug
12	4	07-8908	Rubber Plug
13	2	07-8907	Rubber Grease
14	1	07-9113	Top Plate Assembly
15	1	07-9114	Top Wearing Plate
16	1	07-9115	Top Buffer
17	1	07-9097	Pin
18	1	07-9100	Front Block
19	10	07-8926	Lock Washer
20	10	07-8911	Hex Bolt
21	12	07-9118	Hex Bolt
22	24	07-8924	Flat Washer
23	12	07-8931	Lock Washer
24	12	07-8920	Nylon Lock Nut
25	1	07-9119	Upper Cover Plate
26	1	07-9120	Lower Cover Plate
27	2	07-8903	Port Cover (In, Out)
28	1	07-9121	Base Buffer
29	1	07-9101	Front Plate
30	1	07-9102	Shim Plate
31	1	07-9098	Stopper
32	1	07-9099	Hex Bolt
33	2	07-8917	Hex Nut
34	1	07-8892	Cover Plate 3
35	8	07-9124	Socket Bolt
36	8	07-8928	Lock Washer
37	4	07-8908	Hex Bolt
38	4	07-8920	Lock Washer
39	4	07-8916	Flat Washer
40	10	07-8921	Flat Washer

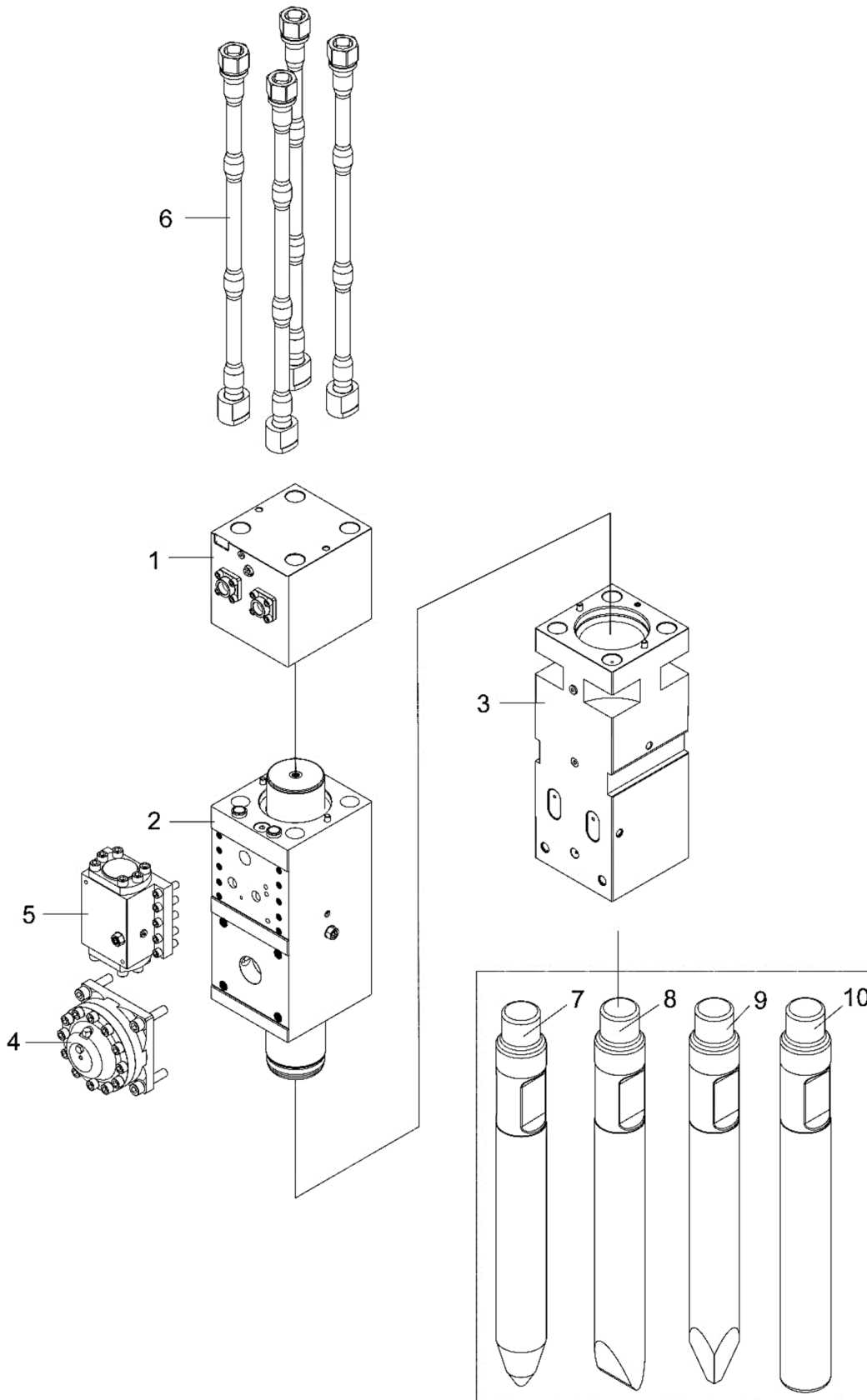
AUTO GREASE CARTRIDGE



AUTO GREASE CARTRIDGE

ITEM	QTY	PART NUMBER	DESCRIPTION
1	1	07-9310	Auto Grease Pump Assembly
	1	07-8933	Replacement Grease Cartridge
	1	07-9302	Replacement Grease Cartridge - 20 count

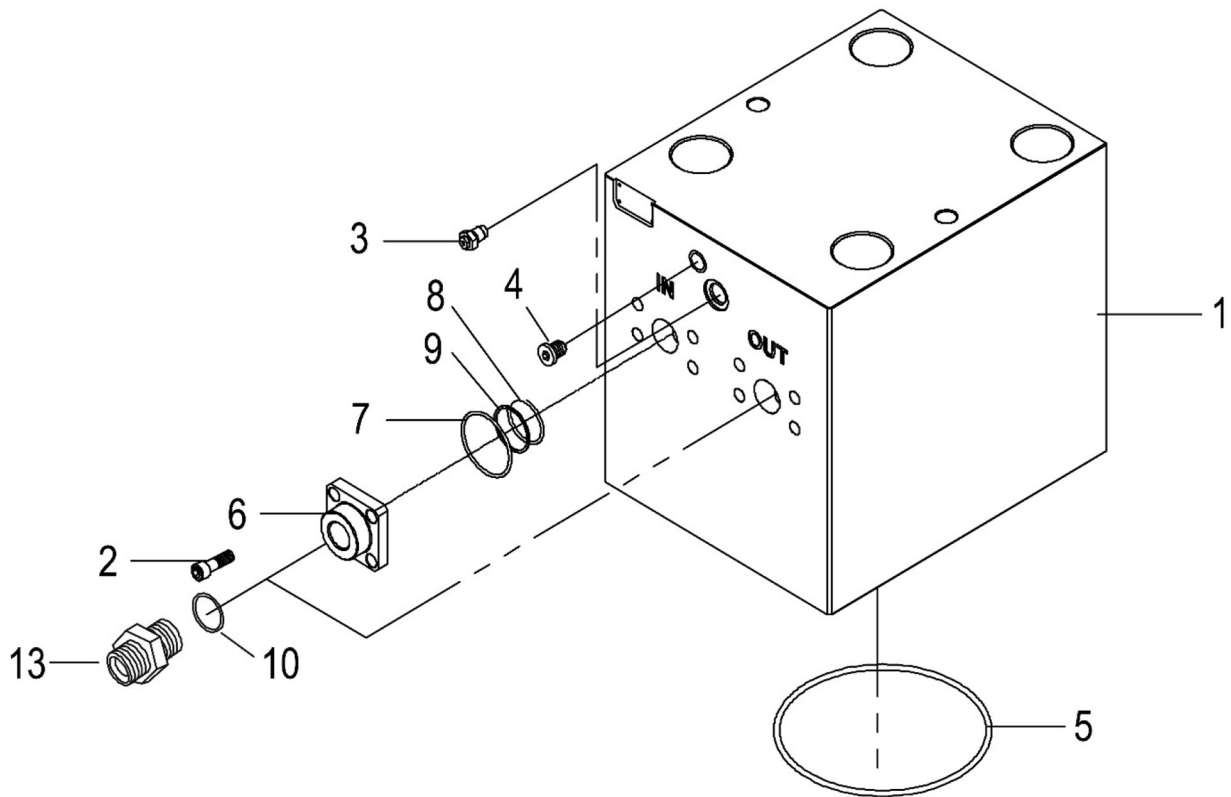
HAMMER ASSEMBLY



HAMMER ASSEMBLY

ITEM	QTY	PART NUMBER	DESCRIPTION
	1		Hammer Group
1	1	07-8613	Back Head Group
2	1	07-8607	Cylinder Group
3	1	07-8599	Front Head Group
4	1	07-8619	Accumulator Group
5	1	07-8626	Valve Block Group
6	4	07-8637	Side Rod Group
7	1	07-8881	Cone Tool
8	1	07-8838	Chisel Tool
9	1	07-8886	Moil Tool
10	1	07-8872	Blunt Tool
	1	07-8644	Seal Kit

BACK HEAD ASSEMBLY

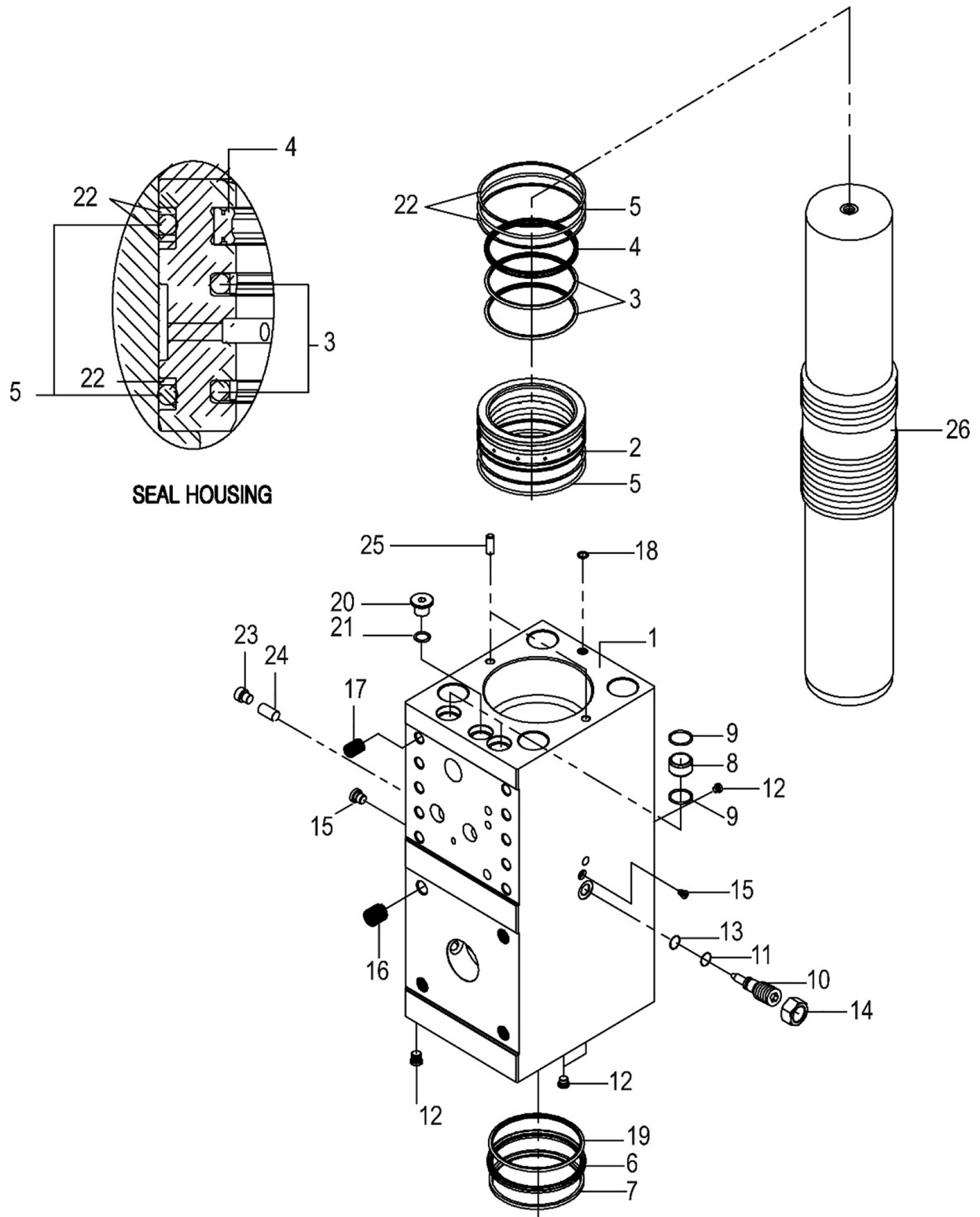


BACK HEAD ASSEMBLY

ITEM	QTY	PART NUMBER	DESCRIPTION
	1	07-8613	Back Head Group
1	1	07-8614	Back Head
2	8	07-8615	Socket Bolt
3	1	07-8429	Gas Charging Valve Assembly
4	1	07-8446	Socket Plug
5	1	*	O-Ring (Part of Seal Kit)
6	2	07-8616	Flange
7	2	*	O-Ring (Part of Seal Kit)
8	2	*	O-Ring (Part of Seal Kit)
9	2	*	O-Ring (Part of Seal Kit)
10	2	*	O-Ring (Part of Seal Kit)
11	2	07-8617	Adapter

* Not Sold Separately. See Hammer Assembly for Seal Kit.

CYLINDER ASSEMBLY

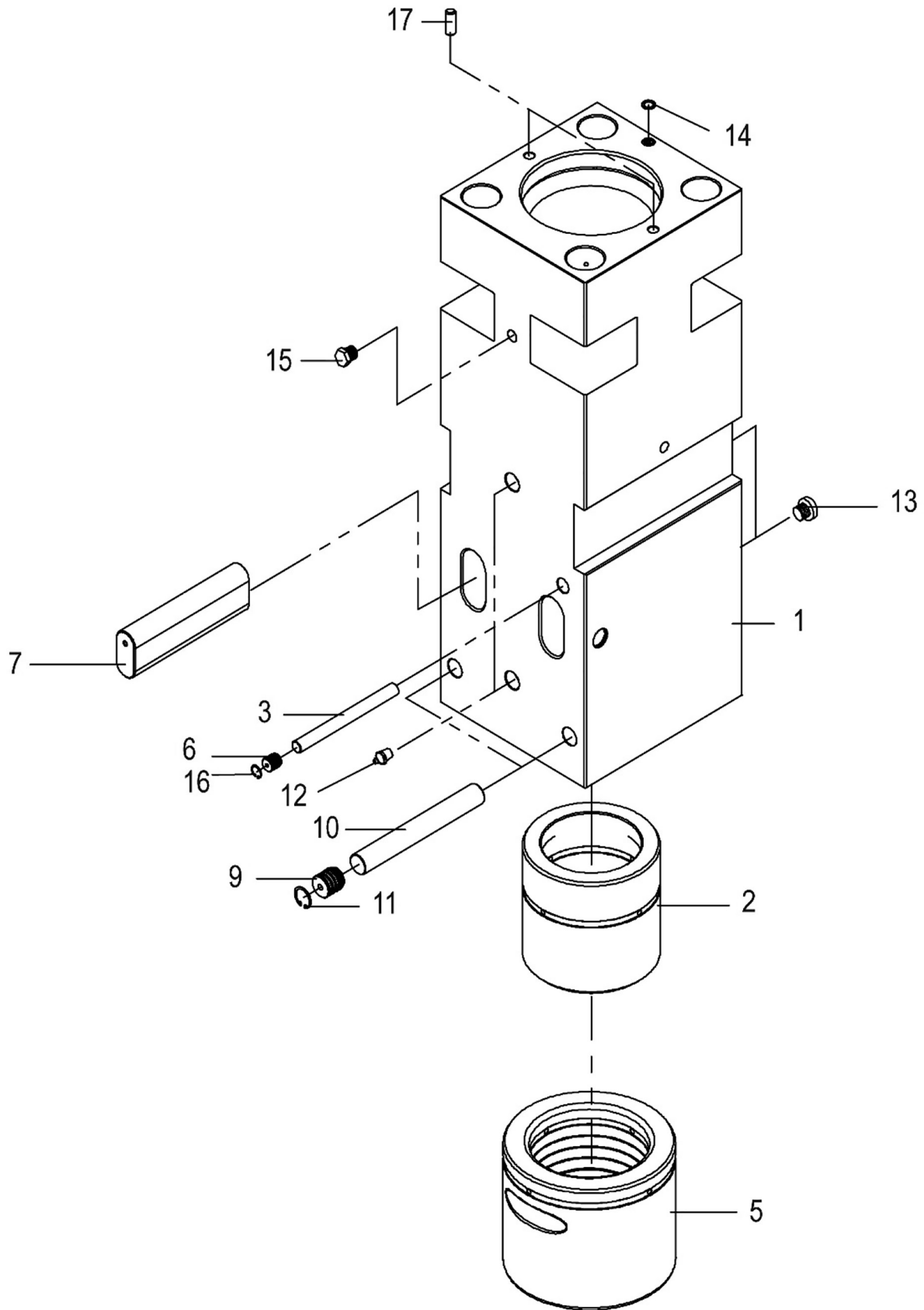


CYLINDER ASSEMBLY

ITEM	QTY	PART NUMBER	DESCRIPTION
	1		Cylinder Group
1	1	07-8608	Cylinder
2	1	07-8609	Seal Housing
3	2	*	Step Seal
4	1	*	Gas Seal
5	2	*	O-Ring
6	1	*	Seal
7	1	*	Seal
8	2	*	Connection Bush
9	4	*	Quad-Ring
10	1	07-8610	Adjust Bolt
11	1	*	Backup Ring
12	4	07-8446	Socket Plug
13	1	*	O-Ring
14	1	07-8424	Adjust Nut
15	2	07-8443	Socket Plug
16	4	07-8611	Heli Coil
17	10	07-8433	Heli Coil
18	1	*	O-Ring
19	1	*	Step Seal
20	1	07-8612	Socket Plug
21	1	*	O-Ring
22	3	*	Backup Ring
23	1	07-8408	Metric Hollow Hex Plug
24	1	07-8407	Auto Shut-off Pin
25	2	07-8642	Guide Pin
26	1	07-8643	Piston

* Not Sold Separately. See Hammer Assembly for Seal Kit.

FRONT HEAD ASSEMBLY

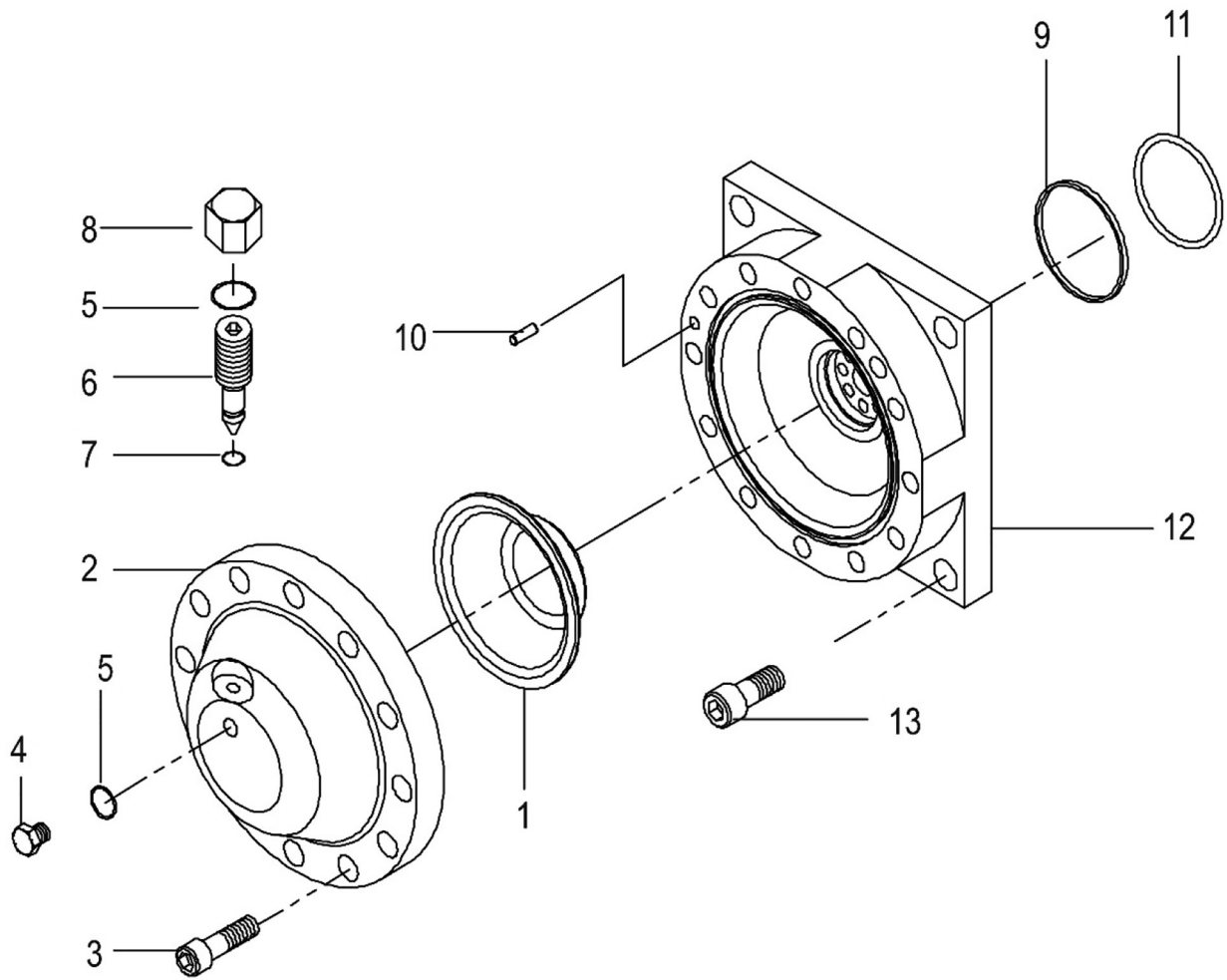


FRONT HEAD ASSEMBLY

ITEM	QTY	PART NUMBER	DESCRIPTION
	1		Front Head Group
1	1	07-8600	Front Head
2	1	07-8601	Upper Bushing
3	1	07-8602	Upper Bushing Pin
5	1	07-8603	Tool Bushing (Box)
6	1	07-8438	Rubber Plug
7	2	07-8604	Tool Pin
9	2	07-8441	Rubber Plug
10	2	07-8606	Bushing Pin
11	2	07-8440	Snap Ring
12	2	07-8445	Grease Nipple
13	2	07-8443	Socket Plug
14	1	*	O-Ring
15	1	07-8444	Socket Plug
16	1	07-8437	Snap Ring
17	2	07-8642	Guide Pin

* Not Sold Separately. See Hammer Assembly for Seal Kit.

ACCUMULATOR ASSEMBLY

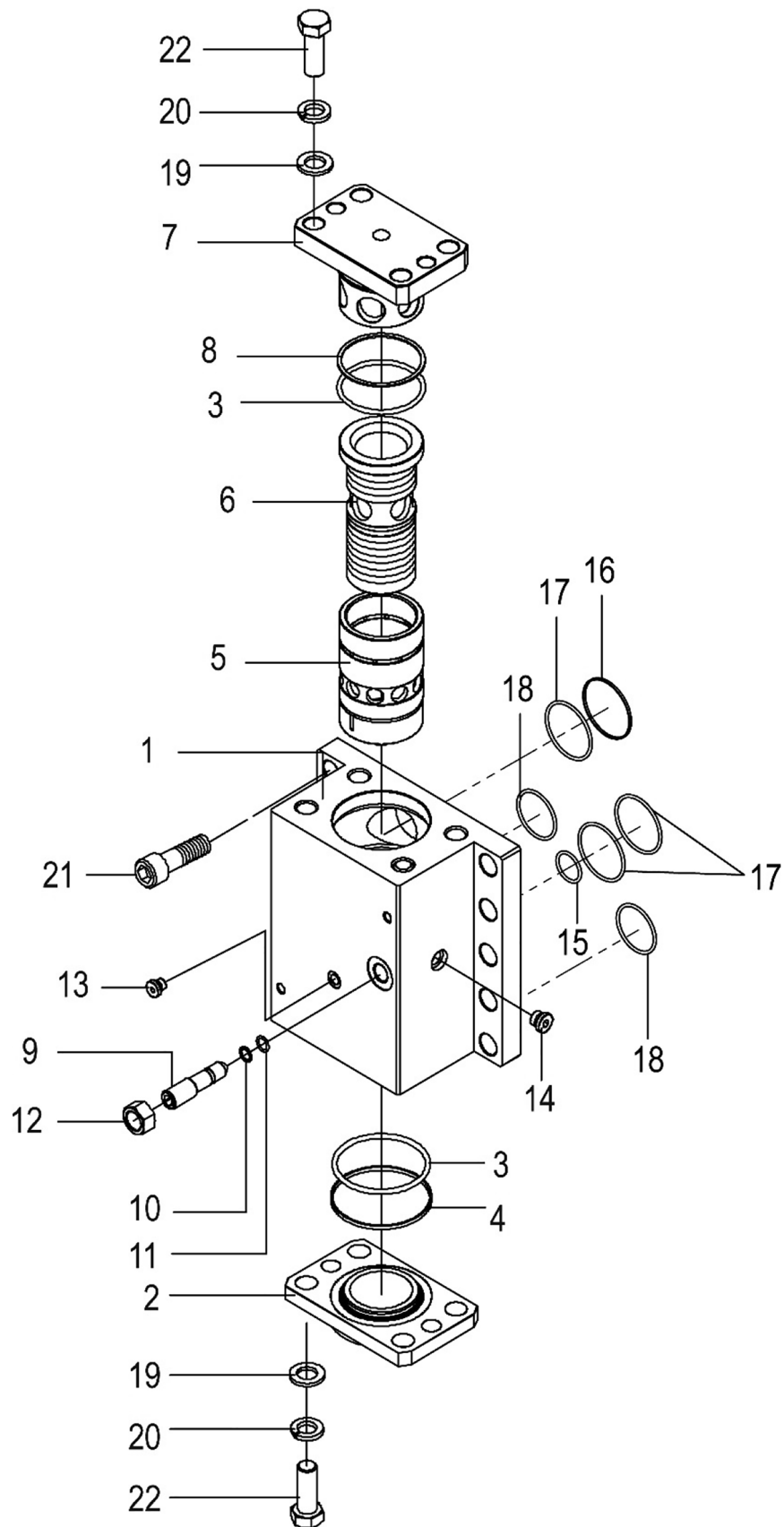


ACCUMULATOR ASSEMBLY

ITEM	QTY	PART NUMBER	DESCRIPTION
	1		Accumulator Group
1	1	07-8620	Membrane
2	1	07-8621	Accumulator Cover
3	12	07-8622	Socket Bolt
4	1	07-8416	Plug
5	2	*	O-Ring
6	1	07-8426	Gas Charging Bolt
7	1	*	O-Ring
8	1	07-8427	Gas Charging Cap
9	1	*	Backup Ring
10	1	07-8442	Guide Pin
11	1	*	O-Ring
12	1	07-8623	Accumulator Bottom
13	4	07-8624	Socket Bolt

* Not Sold Separately. See Hammer Assembly for Seal Kit.

VALVE BLOCK ASSEMBLY

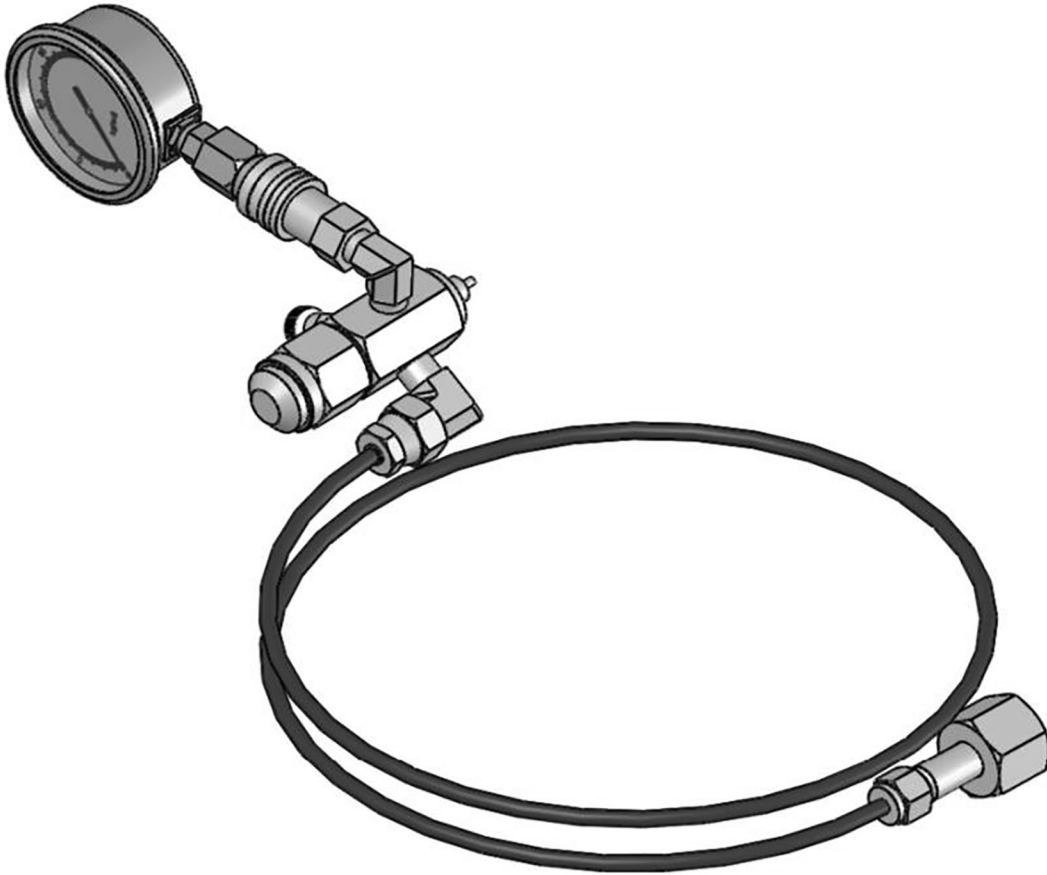


VALVE BLOCK ASSEMBLY

ITEM	QTY	PART NUMBER	DESCRIPTION
	1		Valve Block Group
1	1	07-8627	Valve Block Body
2	1	07-8628	Valve Block Lower Cover
3	2	*	O-Ring
4	1	*	Backup Ring
5	1	07-8629	Operator Valve Spool
6	1	07-8630	Operator Valve Spool Guide
7	1	07-8631	Valve Block Upper Cover
8	1	*	Backup Ring
9	1	07-8632	Adjust Bolt
10	1	*	Backup Ring
11	1	*	O-Ring
12	1	07-8424	Adjust Nut
13	1	07-8443	Socket Plug
14	1	07-8446	Socket Plug
15	1	*	O-Ring
16	1	*	Backup Ring
17	3	*	O-Ring
18	2	*	O-Ring
19	8	07-8633	Lock Washer
20	8	07-8634	Flat Washer
21	10	07-8635	Socket Bolt
22	8	07-8636	Hex Bolt

* Not Sold Separately. See Hammer Assembly for Seal Kit.

GAS CHARGING KIT



ITEM	QTY	PART NUMBER	DESCRIPTION
1	1	07-9129	Gas Charging Kit

WARRANTY

Claim Procedure

Notify the Genesis Service Department of the potential warranty claim prior to making the repair. Digital pictures are very helpful for diagnosing problems and recommending repairs.

Contact the Genesis Service Department before making alterations, changes or repairs to any component that is going to be considered for warranty. Not doing so will void all Genesis warranty consideration.

The Genesis Service Department will issue an authorization number to track the repair costs, outgoing parts, and/or defective parts returning to the factory.

Replacement parts must be ordered using a purchase order number. Shipping is standard ground. Overnight shipping is available by request, and Genesis will not cover the shipping charge.

When the repair is complete, submit an invoice to the Genesis Service Department within 30 days. Include itemized internal labor reporting, parts lists and invoices for outside contractors. Reference the authorization number on all invoices.

When returning parts for warranty consideration, include a copy of any related Genesis paperwork along with any other necessary documentation to ensure proper processing and credit. The Genesis Service Department will provide the necessary forms.

Your account will be credited when the warranty claim is accepted.

Please direct any questions to the Genesis Service Department: 715-395-5252

PARTS ORDER POLICY AND PROCEDURE

Parts Orders Should Include

- Purchase order number
- Model and serial number of attachment
- Part number and quantity needed
- Shipping and billing address
- Method of shipment or required delivery date

Placing Orders

Orders may be placed by phone, e-mail or fax. To fax an order, use the form on the following page. Contact information is located at the front of this manual.

Part Numbers

Part numbers are listed in a separate Parts Manual or, if included, the Parts section of this manual. Contact the Genesis Parts Department with questions regarding part numbers, availability and pricing.

Shipping

All orders will be shipped best way surface unless an alternate shipping method is requested. Shipping charges are not included in the purchase price of parts.

Invoices

All invoices are due upon receipt. Any accounts with invoices open beyond 60 days are subject to review and may be placed on C.O.D. status without further notice.

Returns

Unused Genesis parts may be returned with proper documentation. Return shipping is the responsibility of the purchaser. Credit will be issued upon return, less a 20% restocking fee. Documentation is required for credit of returned parts. Contact the Genesis Parts Department at 715-395-5252 for an RGA (Return Goods Authorization) number and form.

Return Goods Authorization

All parts returned to Genesis for warranty consideration must be returned with a completed RGA (Return Goods Authorization) provided by the Genesis Parts Department. The form needs to be completed in its entirety, including any additional information requested by the Parts or Service Department. Return freight is the responsibility of the shipper and will be credited upon claim approval. A determination to accept or deny the claim will be made based on the information available to Genesis. Warranty on purchased parts other than wear components is 6 months. There is no warranty period on wear parts or components.



PARTS ORDER FORM

Customer: _____ Date: _____

Phone: _____ Contact: _____

Shipping Address: _____ E-mail: _____

Billing Address: _____

Purchase Order: _____ Shipping Method: _____

Model: _____ Serial Number: _____

Quantity	Part Number	Description	Price

E-mail to the Genesis Parts Department: genesisparts@genesisattachments.com
For assistance, call 715-395-5252

INDEX

07-8407 Auto Shut-off Pin	13	07-8644 Seal Kit	9
07-8408 Metric Hollow Hex Plug	13	07-8838 Chisel Tool	9
07-8416 Plug	17	07-8872 Blunt Tool	9
07-8424 Adjust Nut	13, 19	07-8881 Cone Tool	9
07-8426 Gas Charging Bolt	17	07-8886 Moil Tool	9
07-8427 Gas Charging Cap	17	07-8891 Wearing Plate	5
07-8429 Gas Charging Valve Assembly	11	07-8892 Cover Plate	3 5
07-8433 Heli Coil	13	07-8892 Rubber Plug	5
07-8437 Snap Ring	15	07-8903 Port Cover (In, Out)	5
07-8438 Rubber Plug	15	07-8907 Rubber Grease	5
07-8440 Snap Ring	15	07-8908 Hex Bolt	5
07-8441 Rubber Plug	15	07-8908 Rubber Plug	5
07-8442 Guide Pin	17	07-8909 Rubber Plug	5
07-8443 Socket Plug	13, 15, 19	07-8911 Hex Bolt	5
07-8444 Socket Plug	15	07-8916 Flat Washer	5
07-8445 Grease Nipple	15	07-8917 Hex Nut	5
07-8446 Socket Plug	11, 13, 19	07-8920 Lock Washer	5
07-8599 Front Head Group	9	07-8920 Nylon Lock Nut	5
07-8600 Front Head	15	07-8921 Flat Washer	5
07-8601 Upper Bushing	15	07-8924 Flat Washer	5
07-8602 Upper Bushing Pin	15	07-8926 Lock Washer	5
07-8603 Tool Bushing (Box)	15	07-8928 Lock Washer	5
07-8604 Tool Pin	15	07-8931 Lock Washer	5
07-8606 Bushing Pin	15	07-8933 Replacement Grease Cartridge	7
07-8607 Cylinder Group	9	07-9097 Pin	5
07-8608 Cylinder	13	07-9098 Stopper	5
07-8609 Seal Housing	13	07-9099 Hex Bolt	5
07-8610 Adjust Bolt	13	07-9100 Front Block	5
07-8611 Heli Coil	13	07-9101 Front Plate	5
07-8612 Socket Plug	13	07-9102 Shim Plate	5
07-8613 Back Head Group	9, 11	07-9106 Top Cover Plate	5
07-8614 Back Head	11	07-9107 Housing Toolpin Cover	5
07-8615 Socket Bolt	11	07-9108 Toolpin Cover	5
07-8616 Flange	11	07-9109 Wearing Plate	5
07-8617 Adapter	11	07-9110 Wearing Plate	5
07-8619 Accumulator Group	9	07-9111 Wearing Plate	5
07-8620 Membrane	17	07-9112 Wearing Plate Bottom	5
07-8621 Accumulator Cover	17	07-9113 Top Plate Assembly	5
07-8622 Socket Bolt	17	07-9114 Top Wearing Plate	5
07-8623 Accumulator Bottom	17	07-9115 Top Buffer	5
07-8624 Socket Bolt	17	07-9118 Hex Bolt	5
07-8626 Valve Block Group	9	07-9119 Upper Cover Plate	5
07-8627 Valve Block	19	07-9120 Lower Cover Plate	5
07-8628 Valve Block Lower Cover	19	07-9121 Base Buffer	5
07-8629 Operator Valve Spool	19	07-9124 Socket Bolt	5
07-8630 Operator Valve Spool Guide	19	07-9129 Gas Charging Kit	20
07-8631 Valve Block Upper Cover	19	07-9302 Replacement Grease Cartridge - 20 count	7
07-8632 Adjust Bolt	19	07-9305 Housing Weldment	5
07-8633 Lock Washer	19	07-9310 Auto Grease Pump Assembly	7
07-8634 Flat Washer	19	Accumulator Assembly	16, 17
07-8635 Socket Bolt	19	Auto Grease Cartridge	6, 7
07-8636 Hex Bolt	19	Back Head Assembly	10, 11
07-8637 Side Rod Group	9	Box Housing	4, 5
07-8642 Guide Pin	13, 15	Contact Information	2, 26
07-8643 Piston	13	Cylinder Assembly	12, 13

INDEX

Front Head Assembly	14, 15
Hammer Assembly	8, 9
Housing Assembly	4, 5
O-Ring (Part of Seal Kit)	11
Parts Order Form	23
Parts Order Policy and Procedure	22
Table of Contents	3
Valve Block Assembly	18, 19
Warranty	21

CONTACT INFORMATION

Genesis Attachments

1000 Genesis Drive
Superior, WI 54880 USA

Toll Free: 888-SHEAR-IT
(888-743-2748)

Phone: 715.395.5252

E-mail:
info@genesisattachments.com

Europe/Africa/Middle East Genesis GmbH

Teramostrasse 23
87700 Memmingen, Germany

Phone: +49 83 31 9 25 98 0
Fax: +49 83 31 9 25 98 80
genesis-europe.com

E-mail:
info@genesis-europe.com

Asia Pacific Representative Office

24 Upper Serangoon View #12-28
Singapore 534205

Phone: +65 9673 9730

E-mail:
tchoo@genesisattachments.com

Central America & Colombia

Cra 13A #89-38 / Ofi 613
Bogota, Colombia

Phone: +57 1 610 8160 / 795 8747

E-mail:
contact@themsagroup.com