



GXT 335R EVO Mobile Shear

PARTS MANUAL



CONTACT INFORMATION

Genesis Attachments

1000 Genesis Drive
Superior, WI 54880 USA

Toll Free: 888-SHEAR-IT
(888-743-2748)

Phone: 715.395.5252

E-mail:
info@genesisattachments.com

Europe/Africa/Middle East Genesis GmbH

Teramostrasse 23
87700 Memmingen, Germany

Phone: +49 83 31 9 25 98 0
Fax: +49 83 31 9 25 98 80
genesis-europe.com

E-mail:
info@genesis-europe.com

Asia Pacific Representative Office

24 Upper Serangoon View #12-28
Singapore 534205

Phone: +65 9673 9730

E-mail:
tchoo@genesisattachments.com

Central America & Colombia

Cra 13A #89-38 / Ofi 613
Bogota, Colombia

Phone: +57 1 610 8160 / 795 8747

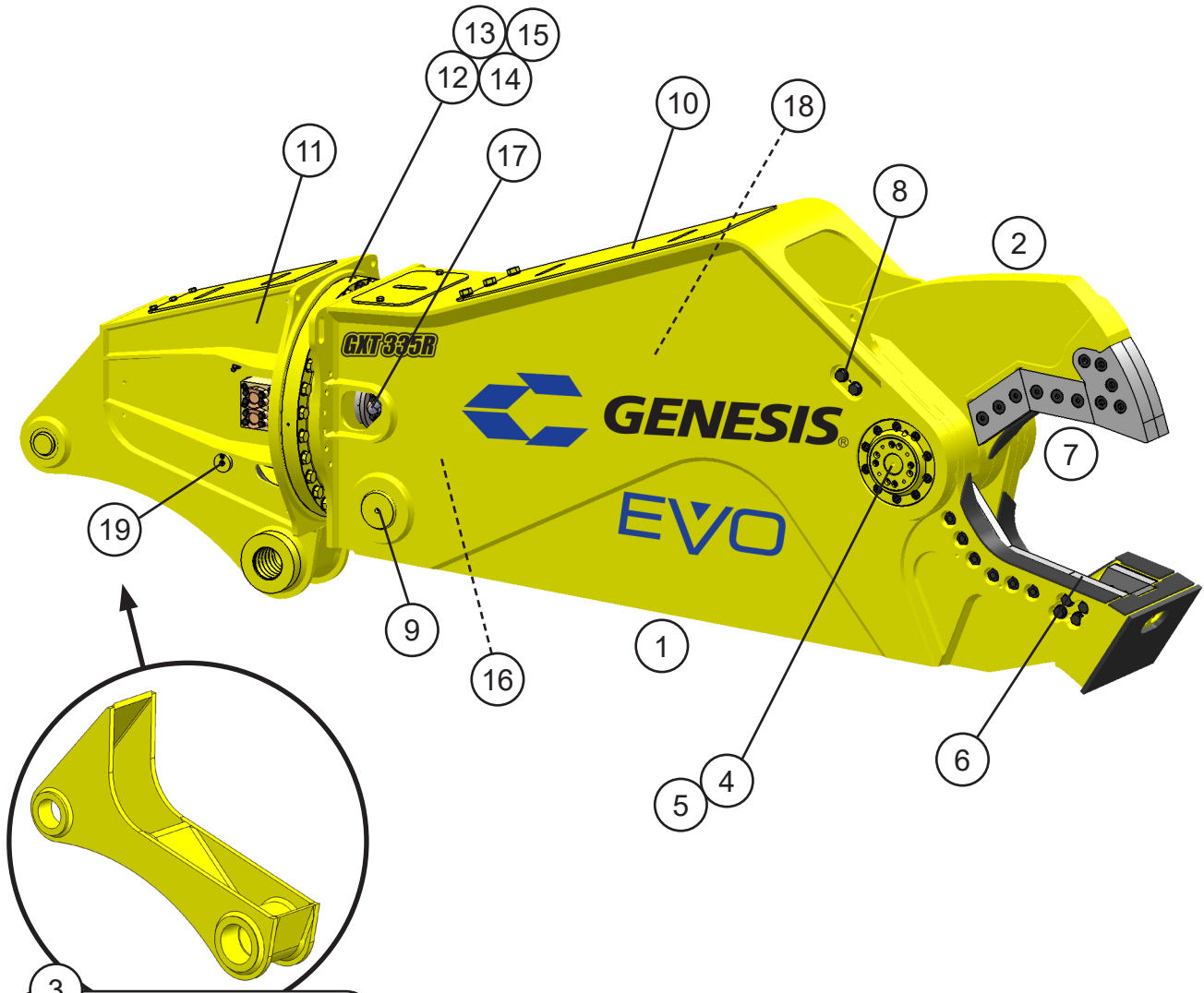
E-mail:
contact@themsagroup.com

View and download all manuals: genesisattachments.com/manuals
Patents: genesisattachments.com/products/patents

TABLE OF CONTENTS

CONTACT INFORMATION	2
GENERAL ARRANGEMENT	4
ASSEMBLY PIVOT GROUP - RIGHT SIDE	6
ASSEMBLY PIVOT GROUP - LEFT SIDE	8
ASSEMBLY LOWER BLADES	10
ASSEMBLY UPPER BLADES	12
ASSEMBLY AUTO GUIDE	14
ASSEMBLY CYLINDER PINS	16
ASSEMBLY ACCESS COVERS	18
ASSEMBLY UPPER HEAD	20
ASSEMBLY ROTATION	22
ASSEMBLY ROTATION CIRCUIT - 2ND MEMBER	24
SUB-ASSEMBLY ROTATE CROSS-OVER / C'BAL	26
SUB-ASSEMBLY LINE MOUNT MANIFOLD	28
ASSEMBLY OPEN AND CLOSE CIRCUIT	30
ASSEMBLY SWIVEL MANIFOLD	32
REGEN BLOCK SUB-ASSEMBLY	34
ASSEMBLY SLEWING RING LUBRICATION	36
BOLT TORQUE SPECIFICATIONS	38
THREAD TREATMENT DIAGRAM	39
Mobile Shears.....	39
PROCEDURES	40
Cleaning.....	40
Threadlocker.....	40
Anti-Seize.....	41
No Thread Treatment.....	41
BOLT TORQUE SPECIFICATIONS	42
Dry Torque Values.....	42
Wet Torque Values.....	42
O-RING BOSS & FLAT FACE O-RING TORQUE SPECIFICATIONS	43
BOLT DRIVE SPECIFICATIONS	44
WARRANTY	45
Claim Procedure.....	45
Blade Warranty.....	45
PARTS ORDER POLICY AND PROCEDURE	46
Parts Orders Should Include.....	46
Placing Orders.....	46
Part Numbers.....	46
Shipping.....	46
Invoices.....	46
Returns.....	46
Warranty Returns.....	46
PARTS ORDER FORM	47
INDEX	48
CONTACT INFORMATION	50

GENERAL ARRANGEMENT



3
Wtmg Lug Upper Head
 Part Number is Serial Number specific.
 For replacement parts call the Genesis
 Parts Department.

USA **Europe**
 715-395-3488 +49 83 31 9 25 98 0



Serial Number Location
 Facing the left side of shear,
 lower right corner.

GENERAL ARRANGEMENT

ITEM	QTY	PART NUMBER	DESCRIPTION
1	1	*	Wtmg Stick
2	1	*	Wtmg Upper
3		*	Wtmg Lug Upper Head
4		See page 6	Assembly Pivot Group - Right Side
5		See page 8	Assembly Pivot Group - Left Side
6		See page 10	Assembly Lower Blades
7		See page 12	Assembly Upper Blades
8		See page 14	Assembly Auto Guide
9		See page 16	Assembly Cylinder Pins
10		See page 18	Assembly Access Covers
11		See page 20	Assembly Upper Head
12		See page 22	Assembly Rotation
13		See page 24	Assembly Rotation Circuit
14		See page 26	Sub-Assembly Rotate Cross-over / C'bal
15		See page 28	Sub-Assembly Line Mount Manifold
16		See page 30	Assembly Open and Close Circuit
17		See page 32	Assembly Swivel Manifold
18		See page 34	Regen Block Sub-Assembly - 6360021
19		See page 36	Assembly Slewing Ring Lubrication

* Part numbers are Serial Number specific. For replacement parts call the Genesis Parts Department.

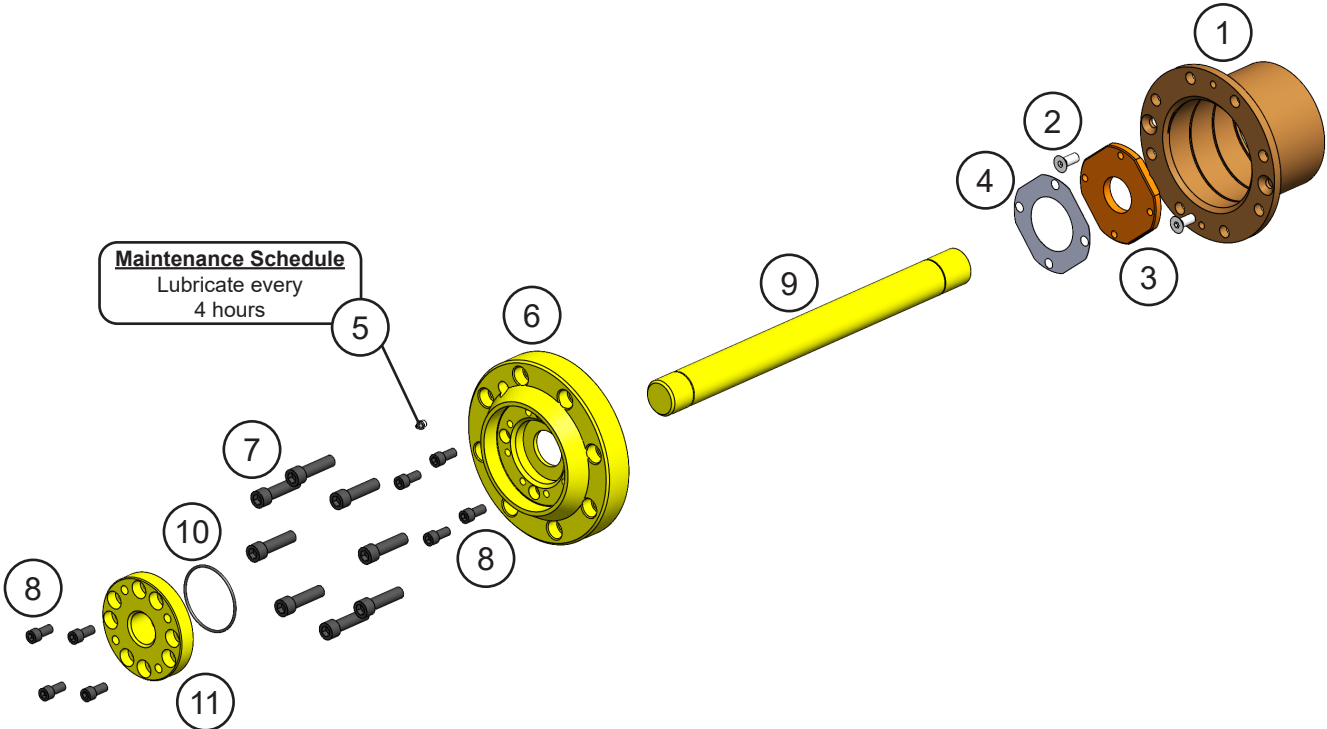
USA

715-395-3488

Europe

+49 83 31 9 25 98 0

ASSEMBLY PIVOT GROUP - RIGHT SIDE

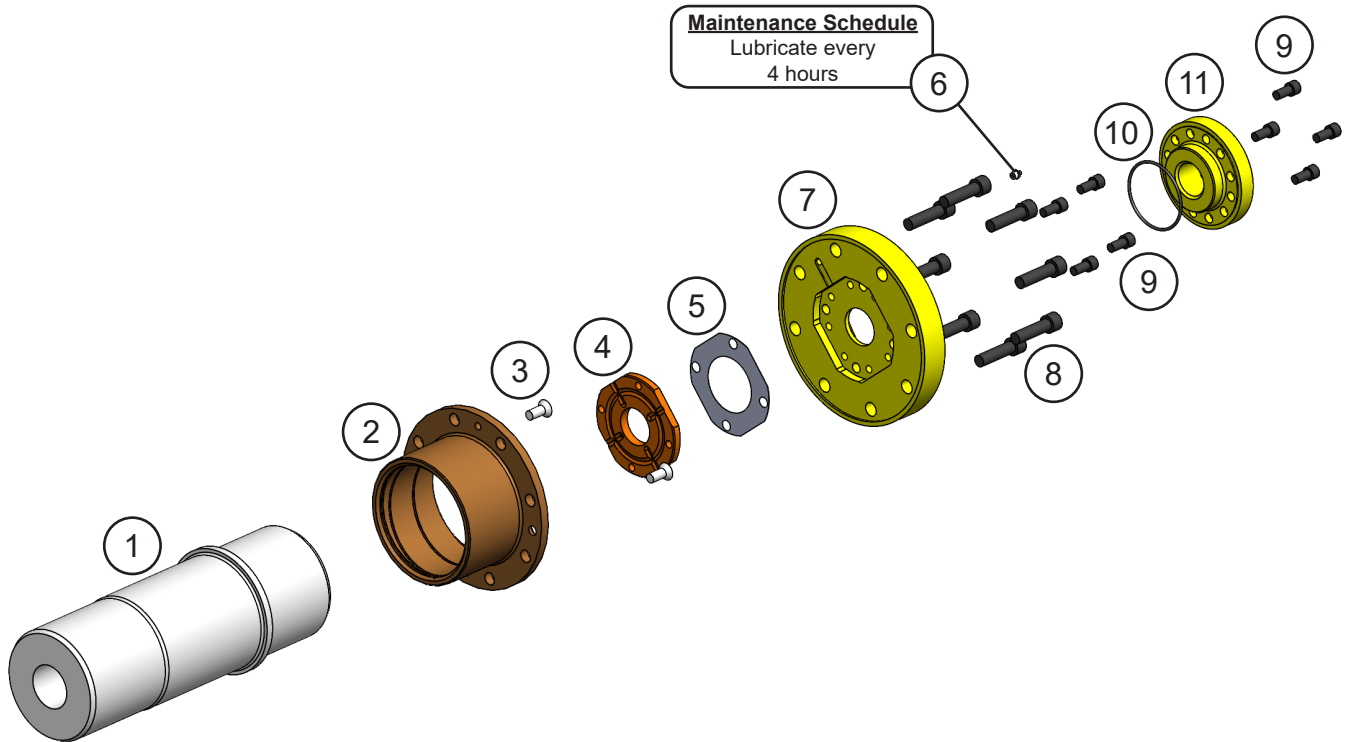


Maintenance Schedule
Lubricate every
4 hours

ASSEMBLY PIVOT GROUP - RIGHT SIDE

ITEM	QTY	PART NUMBER	DESCRIPTION
1	1	1110615	Mach Bearing RH
2	2	F0412030	Flat Head Capscrew M12 x 1.75 x 30
3	1	1110618	Thrust Washer
4	1	1110639	Shim Set Thrust Washer
5	1	6200002	Grease Fitting
6	1	1110617	End Cap
7	8	F0616060	Socket Head Capscrew M16 x 2 x 60
8	8	F0612025	Socket Head Capscrew M12 x 1.50 x 25
9	1	1110620	Tie Rod
10	1	S0190238	O-Ring
11	1	1110619	Tie Rod Nut

ASSEMBLY PIVOT GROUP - LEFT SIDE



ASSEMBLY PIVOT GROUP - LEFT SIDE

ITEM	QTY	PART NUMBER	DESCRIPTION
1	1	*	Mach Main Shaft
2	1	1110616	Mach Bearing LH
3	2	F0412030	Flat Head Capscrew M12 x 1.75 x 30
4	1	1110618	Thrust Washer
5	1	1110639	Shim Set Thrust Washer
6	1	6200002	Grease Fitting
7	1	1110617	End Cap
8	8	F0616060	Socket Head Capscrew M16 x 2 x 60
9	8	F0612025	Socket Head Capscrew M12 x 1.50 x 25
10	1	S0190238	O-Ring
11	1	1110619	Tie Rod Nut

* Part number is Serial Number specific. For replacement parts call the Genesis Parts Department.

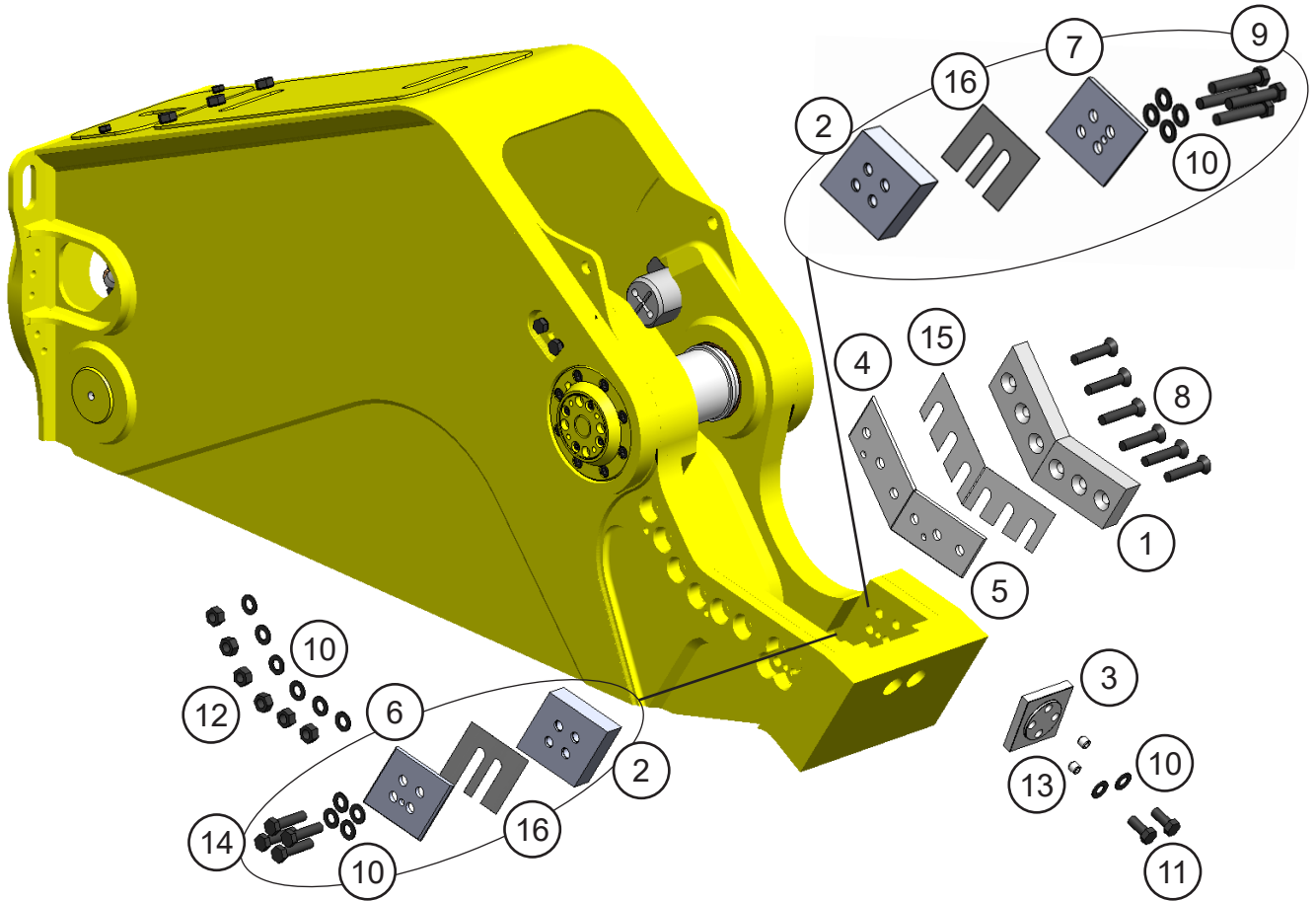
USA

715-395-3488

Europe

+49 83 31 9 25 98 0

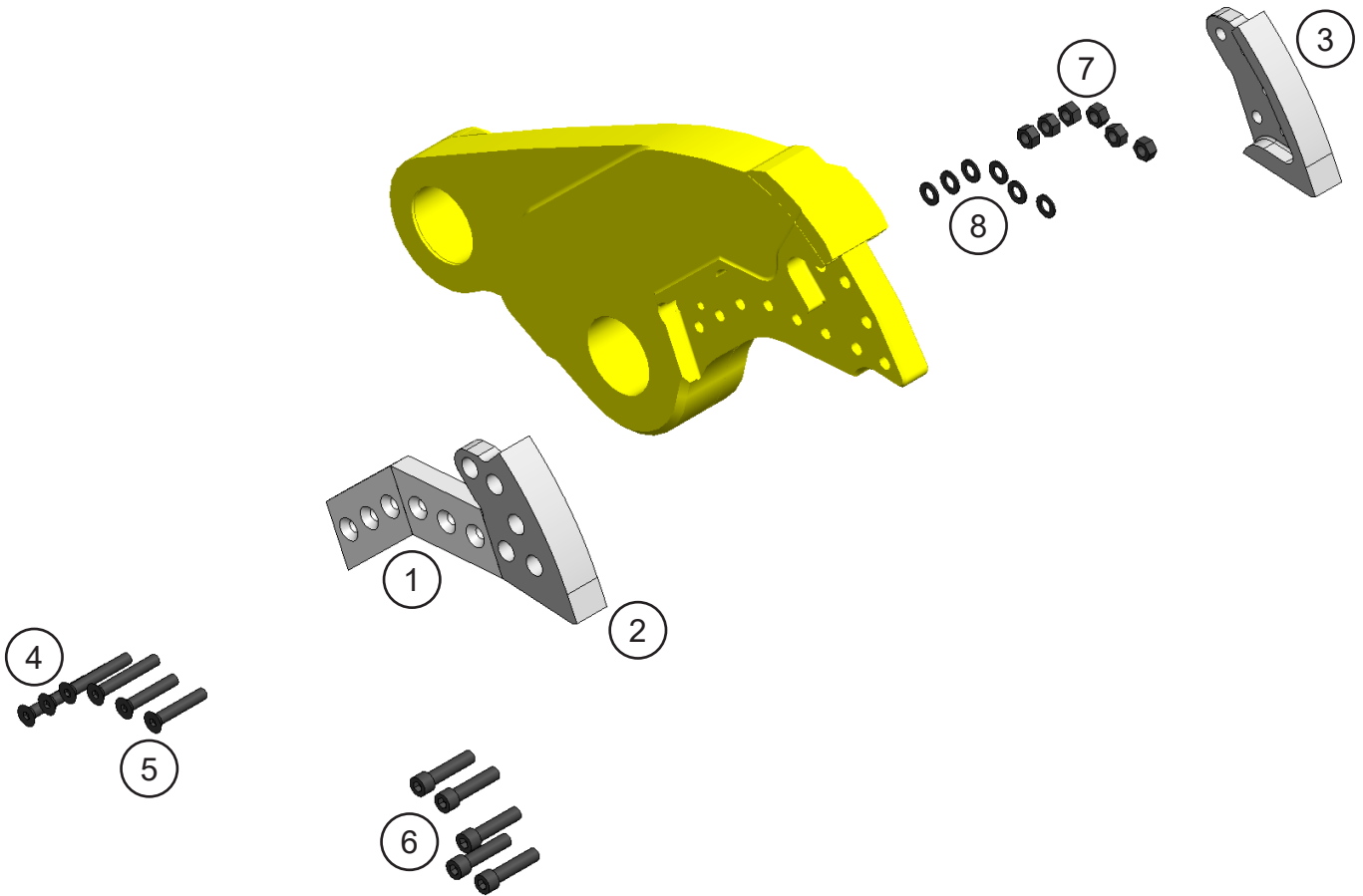
ASSEMBLY LOWER BLADES



ASSEMBLY LOWER BLADES

ITEM	QTY	PART NUMBER	DESCRIPTION
1	2	1106876	Mach Blade
2	2	1105941	Mach Blade Guide
3	1	1101955	Mach Blade Razor
4	1	1106877	Mach Adjustment Plate Primary
5	1	1106879	Mach Adjustment Plate Secondary
6	1	1106413	Mach Guide Blade Adjustment Plate
7	1	1106414	Mach Guide Blade Adjustment Plate
8	6	F0588450	Flat Head Capscrew $\frac{7}{8}$ - 9 x $4\frac{1}{2}$
9	4	F0288450	Hex Head Capscrew $\frac{7}{8}$ - 9 x $4\frac{1}{2}$
10	16	F1300088	Flat Washer Narrow $\frac{7}{8}$
11	2	F0288200	Hex Head Capscrew $\frac{7}{8}$ - 9 x 2
12	6	F0908809	Hex Nut $\frac{7}{8}$ - 9
13	2	F2588088	Set Screw Socket Head $\frac{7}{8}$ - 9 x $\frac{7}{8}$
14	4	F0288350	Hex Head Capscrew $\frac{7}{8}$ - 9 x $3\frac{1}{2}$
15		1105397	Shim Set, Blade
16		1106477	Shim Set, Guide Blade

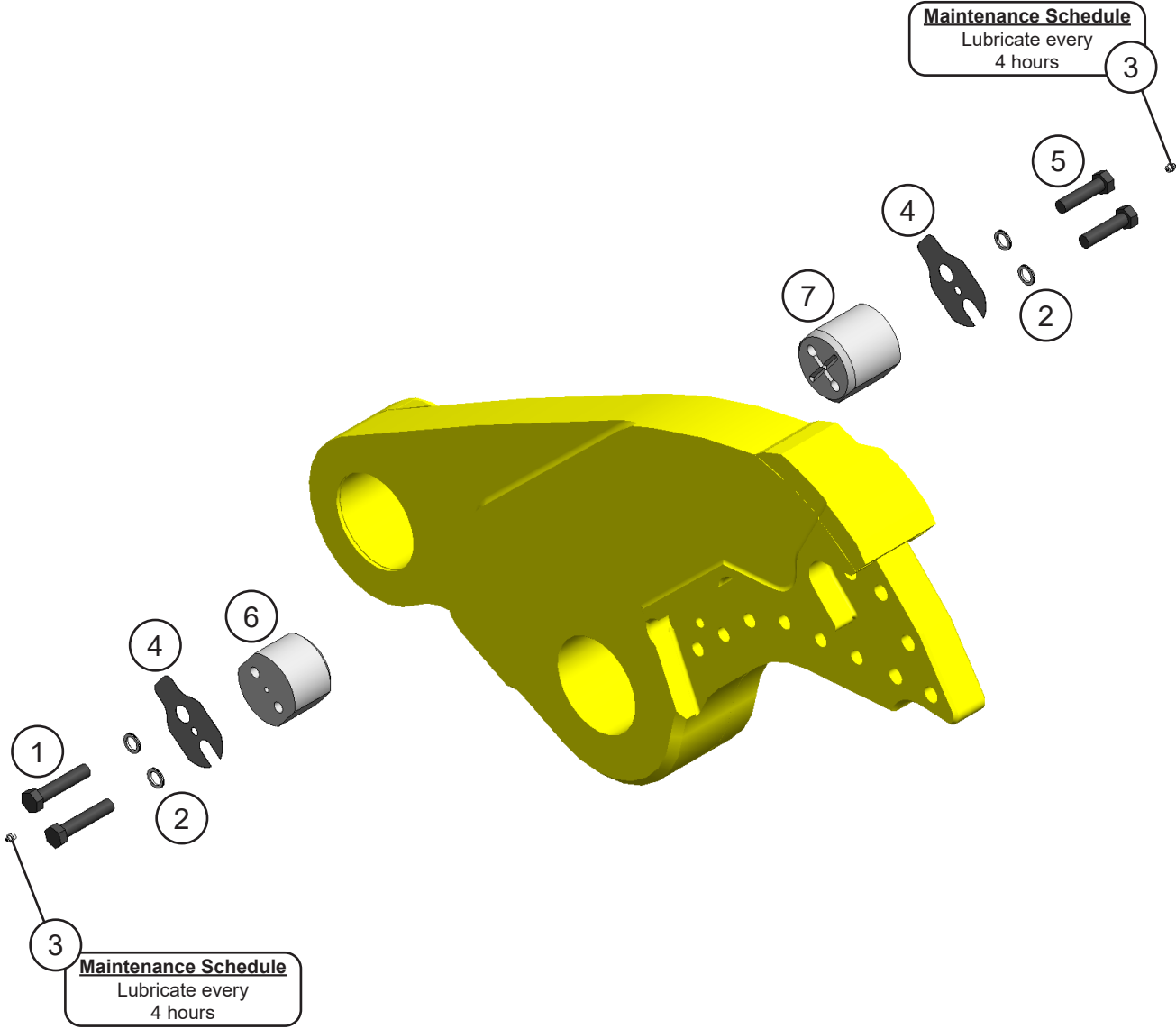
ASSEMBLY UPPER BLADES



ASSEMBLY UPPER BLADES

ITEM	QTY	PART NUMBER	DESCRIPTION
1	2	1106876	Mach Blade
2	1	1105939	Mach Blade Tip Right
3	1	1105940	Mach Blade Tip Left
4	4	F0588600	Flat Head Capscrew $\frac{7}{8}$ - 9 x 6
5	2	F0588500	Flat Head Capscrew $\frac{7}{8}$ - 9 x 5
6	5	1103609	Mach Bolt Socket Head Capscrew 1 - 8 x $4\frac{1}{4}$
7	6	F0908809	Hex Nut $\frac{7}{8}$ - 9
8	6	F1300088	Flat Washer Narrow $\frac{7}{8}$

ASSEMBLY AUTO GUIDE



ASSEMBLY AUTO GUIDE

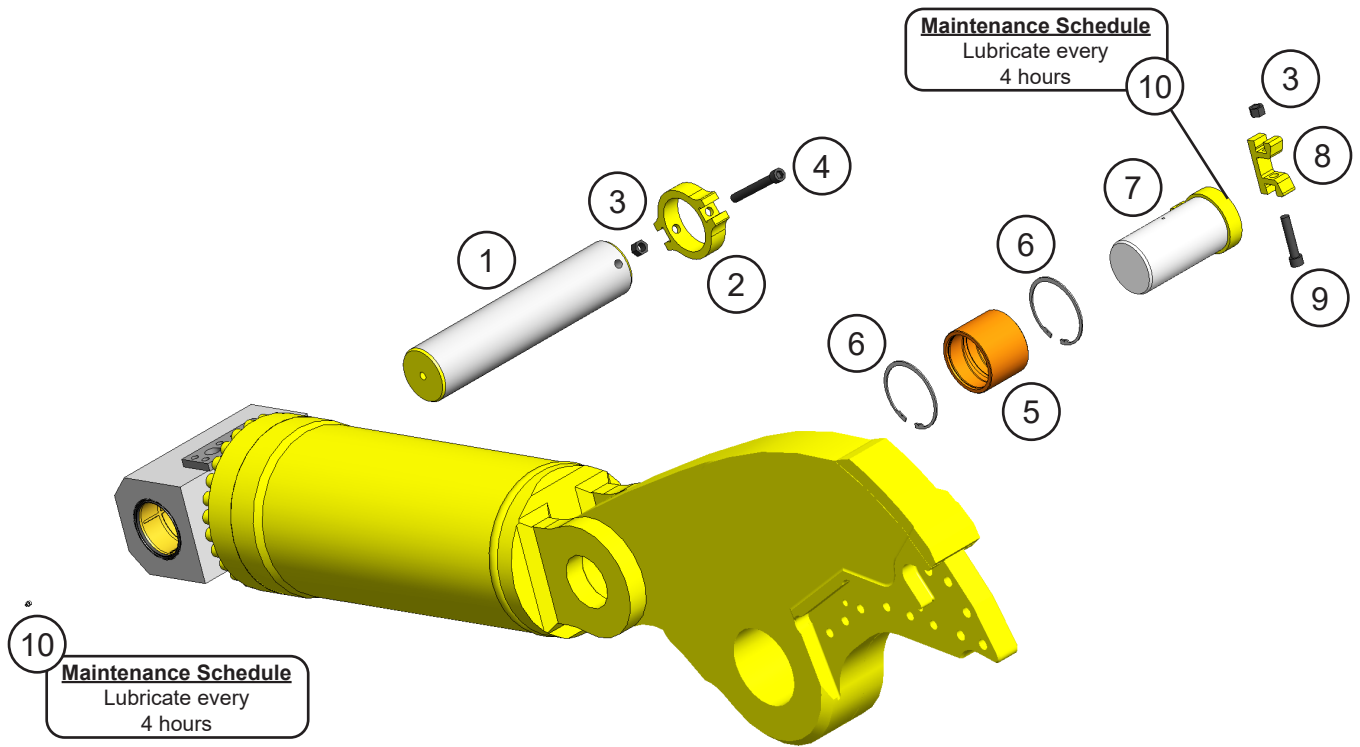
ITEM	QTY	PART NUMBER	DESCRIPTION
1	2	F0120100	Hex Head Capscrew M20 x 2.5 x 100
2	4	F1900075	Washer Wedge Lock $\frac{3}{4}$
3	2	6200002	Grease Fitting
4	2	1110417	Shim Set Puck
5	2	F0120080	Hex Head Capscrew M20 x 2.5 x 80
6	1	*	Blade Side Puck
7	1	*	Guide Side Puck

* Part numbers are Serial Number specific. For replacement parts call the Genesis Parts Department.

USA
715-395-3488

Europe
+49 83 31 9 25 98 0

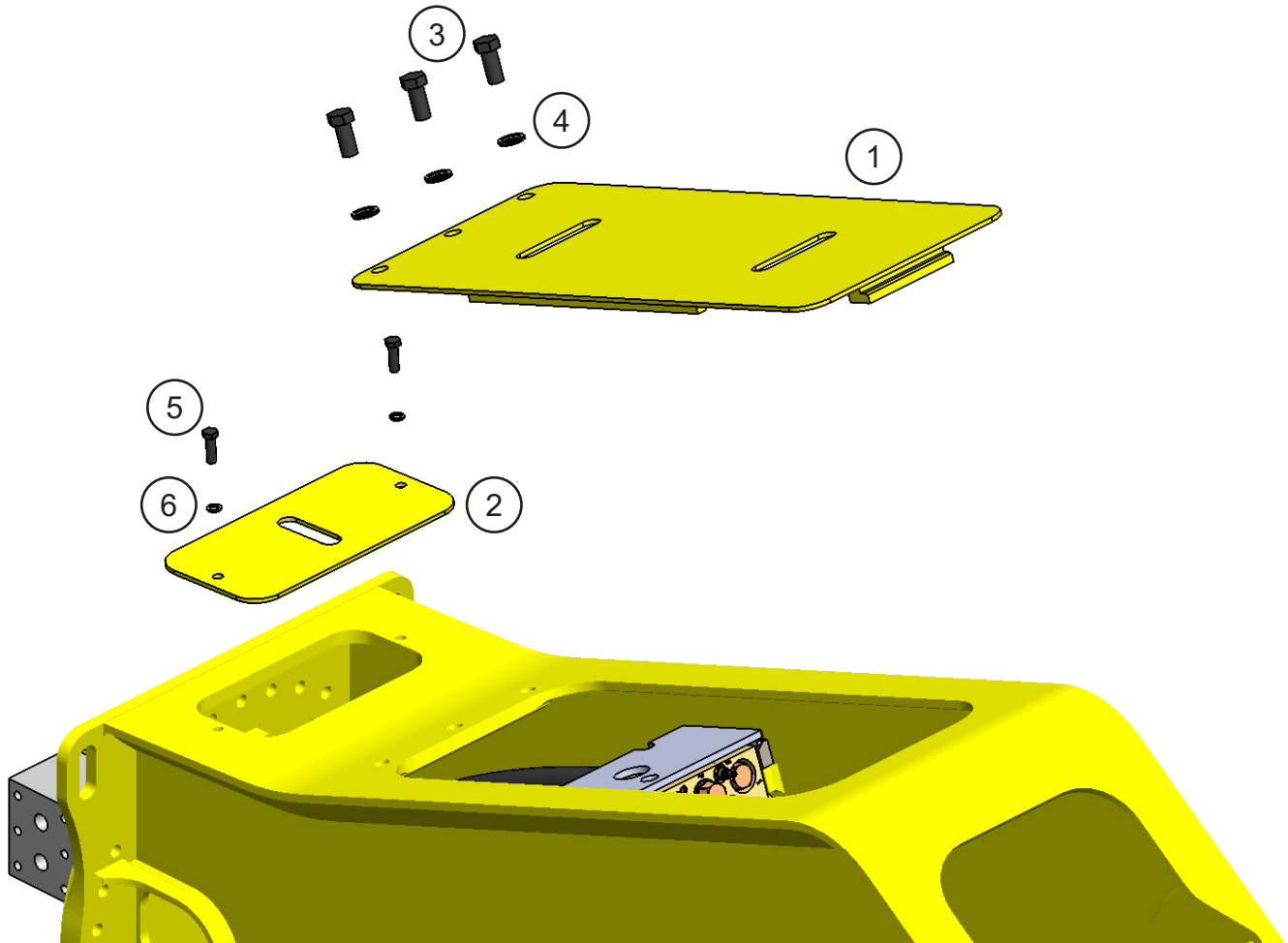
ASSEMBLY CYLINDER PINS



ASSEMBLY CYLINDER PINS

ITEM	QTY	PART NUMBER	DESCRIPTION
1	1	1110635	Pin Rear Cyl
2	1	1103607	Pin Keeper Rear
3	2	F1020250	Nylock Hex Nut M20 x 2.5
4	1	F0620180	Socket Head Capscrew M20 x 2.50 x 180
5	1	1110658	Bearing Upper Cyl
6	2	6200099	Snap Ring 6.00 Dia x 0.125T Internal
7	1	1106888	Front Cyl Pin
8	1	3500350	Pin Keeper (Clevis)
9	1	F0620100	Socket Head Capscrew M20 x 2.50 x 100
10	2	6200002	Grease Fitting

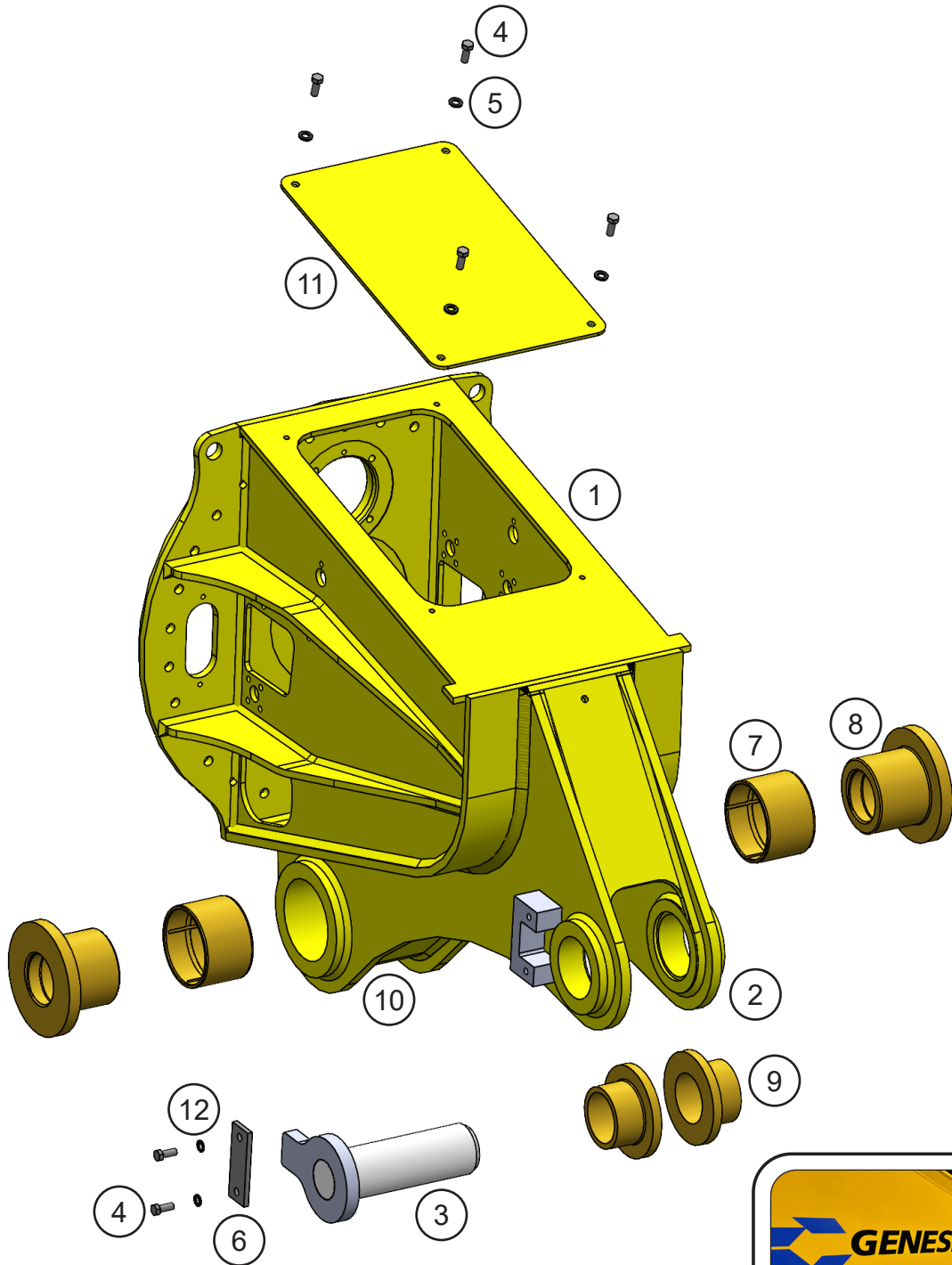
ASSEMBLY ACCESS COVERS



ASSEMBLY ACCESS COVERS

ITEM	QTY	PART NUMBER	DESCRIPTION
1	1	1110621	Top Cover
2	1	1110626	Rear Cover
3	3	F0124040	Hex Head Capscrew M24 x 3 x 40
4	3	F1900100	Washer Wedge Lock 1.00
5	2	F0116035	Hex Head Capscrew M16 x 2.0 x 35
6	2	F1900063	Washer Wedge Lock $\frac{5}{8}$

ASSEMBLY UPPER HEAD



ASSEMBLY UPPER HEAD

ITEM	QTY	PART NUMBER	DESCRIPTION
1	1	*	Sub Head
2	1	*	Lugs
3	1	*	Pin
4	6	F0112030	Hex Head Capscrew M12 x 1.75 x 30
5	4	F1201224	Flat Washer M12
6	1	5500752	Bar Strap
7	2	*	Mach Bearing
8	2	*	Boom Bearing
9	2	*	Spacer Sleeve
10	1	6200002	Grease Fitting
11	1	5513499	Sub Head Cover
12	2	F1401200	Lock Washer M12

* Part numbers are Serial Number specific. For replacement parts call the Genesis Parts Department.

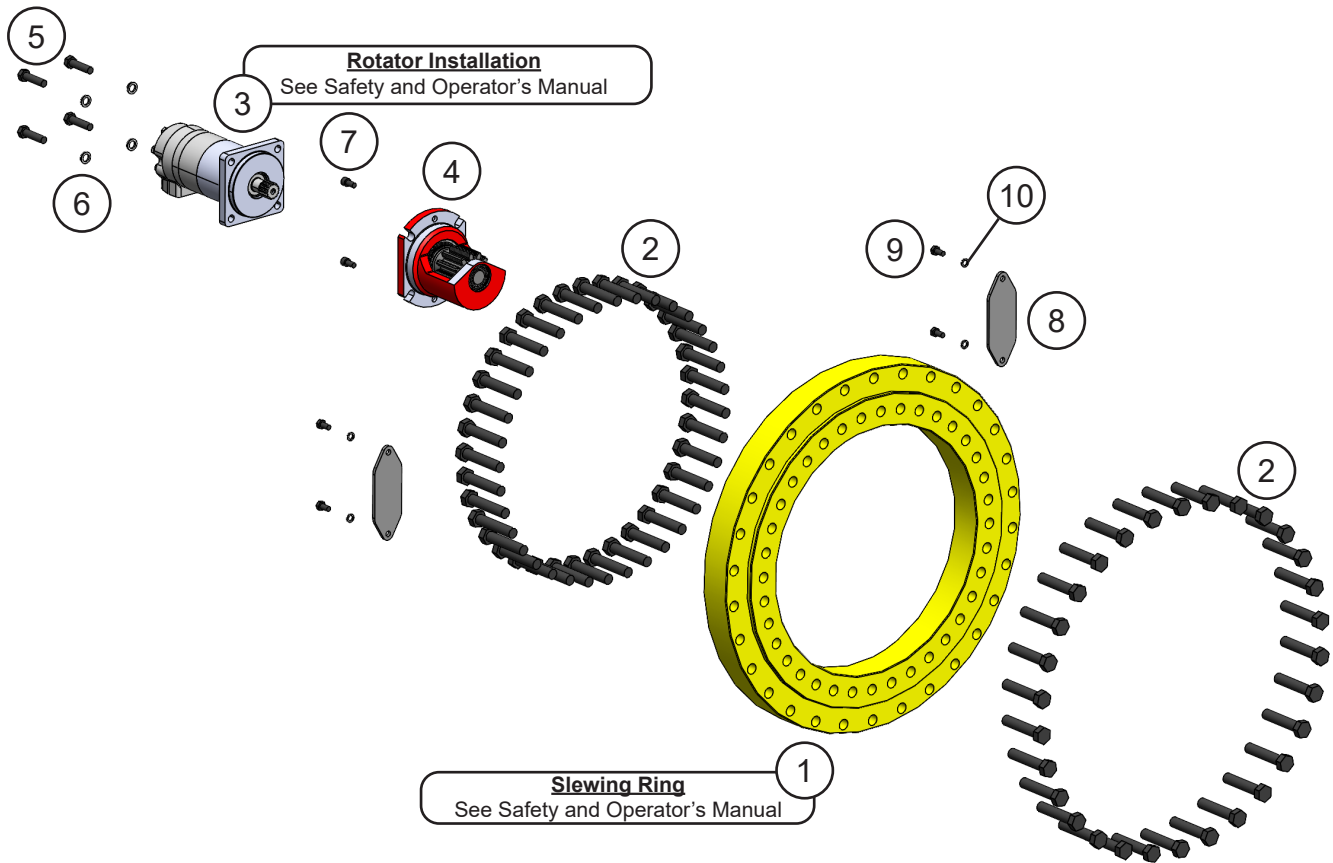
USA

715-395-3488

Europe

+49 83 31 9 25 98 0

ASSEMBLY ROTATION



ASSEMBLY ROTATION

ITEM	QTY	PART NUMBER	DESCRIPTION
1	1	6100092	Bearing Slewing
2	66	F0120100	Hex Head Capscrew M20 x 2.5 x 100
3	1	*	Motor
4	1	*	Pinion Assembly
5	4	F0114055	Hex Head Capscrew M14 x 2.0 x 55
6	4	F1900056	Washer Wedge Lock 9/16
7	2	F0610020	Socket Head Capscrew M10 x 1.50 x 20
8	2	5519155	Ring Bolt Cover
9	4	F0110020	Hex Head Capscrew M10 x 1.5 x 20
10	4	F1900040	Washer Wedge Lock $\frac{3}{8}$

* Part numbers are Serial Number specific. For replacement parts call the Genesis Parts Department.

USA

715-395-3488

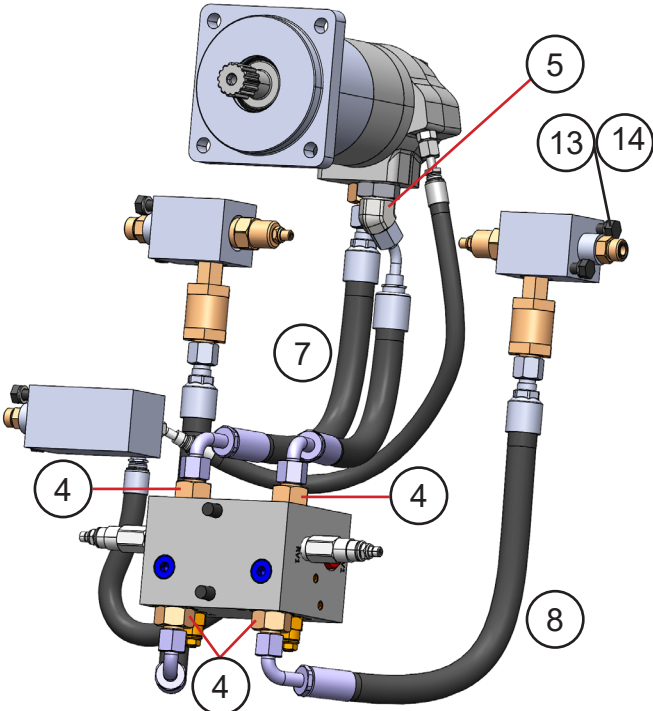
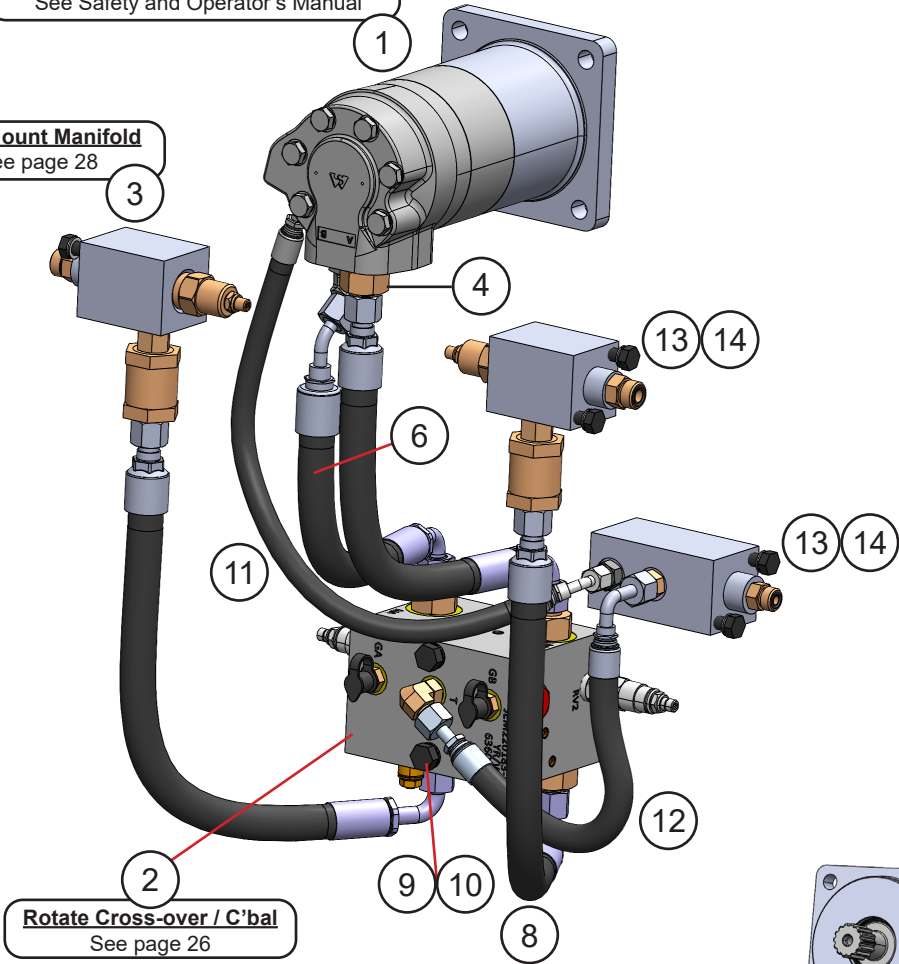
Europe

+49 83 31 9 25 98 0

ASSEMBLY ROTATION CIRCUIT - 2ND MEMBER

Rotator Installation
See Safety and Operator's Manual

Line Mount Manifold
See page 28



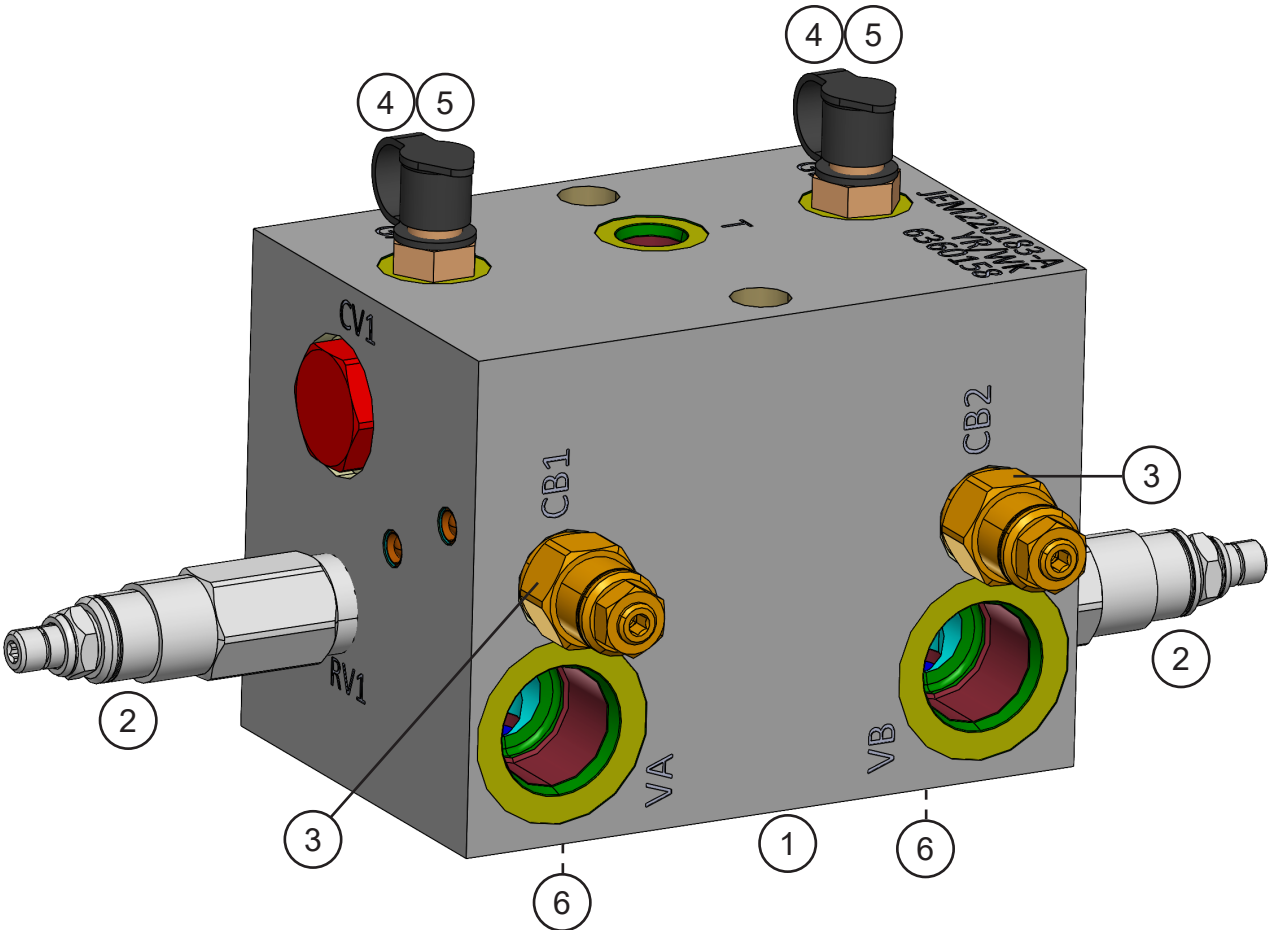
ASSEMBLY ROTATION CIRCUIT - 2ND MEMBER

ITEM	QTY	PART NUMBER	DESCRIPTION
1	1	See page 22	Assembly Rotation
2	1	See page 26	Sub-Assembly Rotate Cross-over / C'bal
3	2	See page 28	Sub-Assembly Line Mount Manifold
4	5	6300052	Adapter 12MB-08MO
5	1	6310405	Adapter 12MB-08MO-45
6	1	1109625	Hose
7	1	1109373	Hose
8	2	1109372	Hose
9	2	F0112130	Hex Head Capscrew M12 x 1.75 x 130
10	2	F1900050	Washer Wedge Lock ½
11	1	1109629	Hose
12	1	1109626	Hose
13	6	F0110030	Hex Head Capscrew M10 x 1.50 x 30
14	6	F1900040	Washer Wedge Lock ¾

If there are three O-ring face seal bulkheads on your sub-head, a case drain line is required.

If you are unsure if your attachment requires a case drain, contact the Genesis Service Department, 715-395-5252.

SUB-ASSEMBLY ROTATE CROSS-OVER / C'BAL



SUB-ASSEMBLY ROTATE CROSS-OVER / C'BAL

ITEM	QTY	PART NUMBER	DESCRIPTION
1	1	6360158	Valve Block
2	2	*	Valve Relief Seal Kit 6300633
3	2	6380035	Valve Counterbalance Seat Kit SK00058
4	2	6300088	Diagnostic Nipple 04MP
5	2	6310001	Diagnostic Nipple Dust Cap
6	2	6300054	Plug Socket Head 08MB - Underneath valve block

* Part number is Serial Number specific. For replacement parts call the Genesis Parts Department.

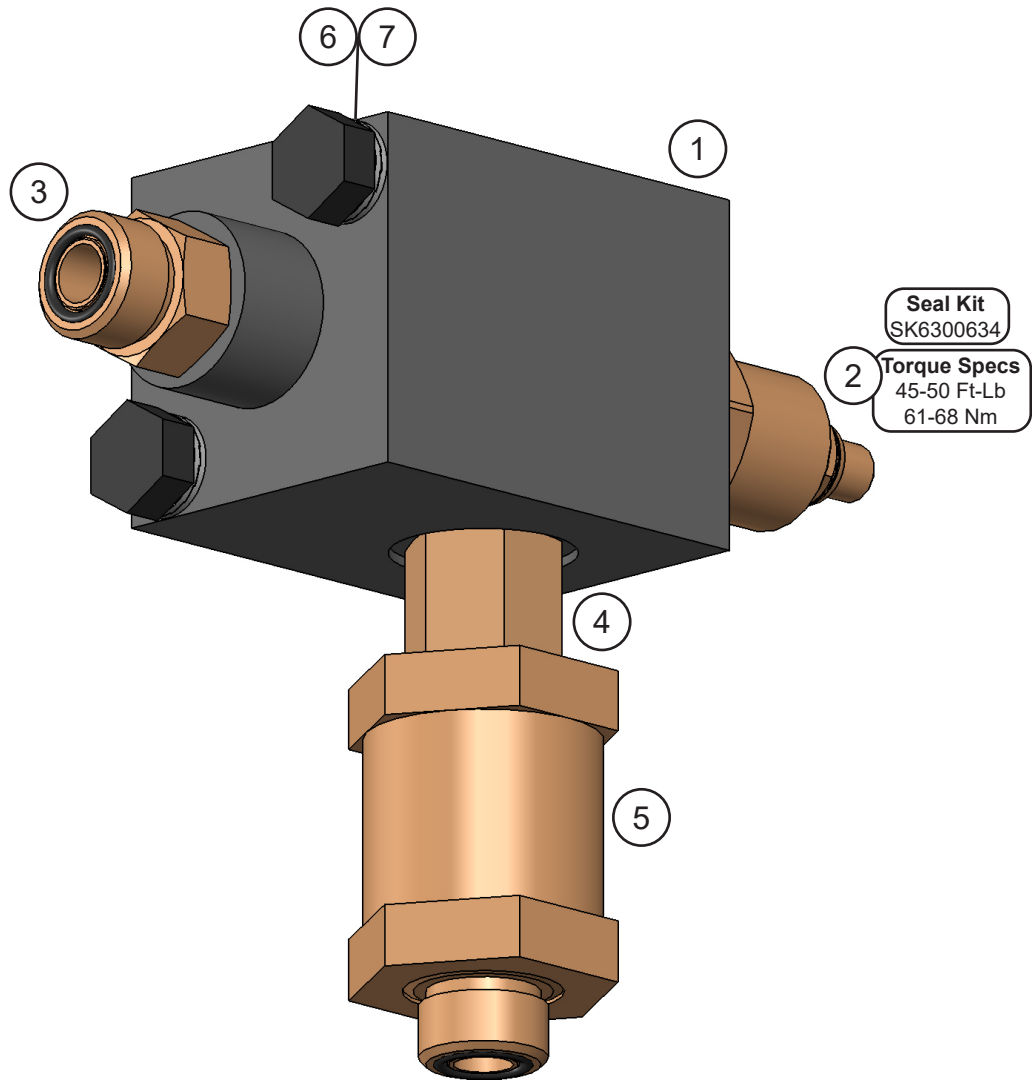
USA

715-395-3488

Europe

+49 83 31 9 25 98 0

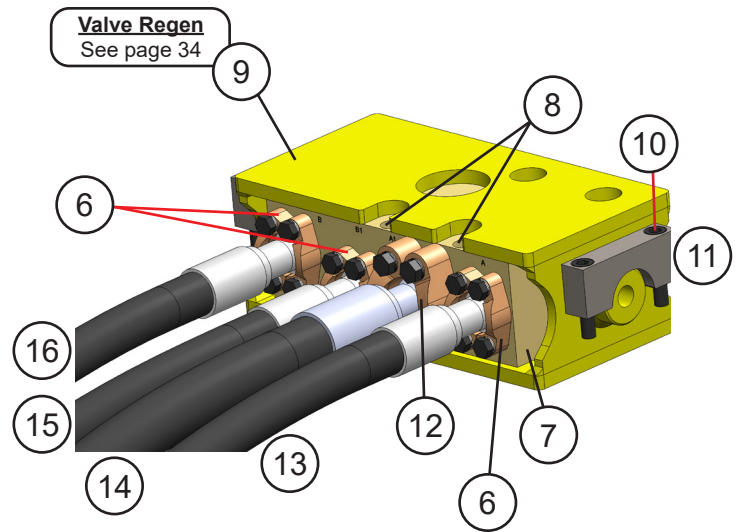
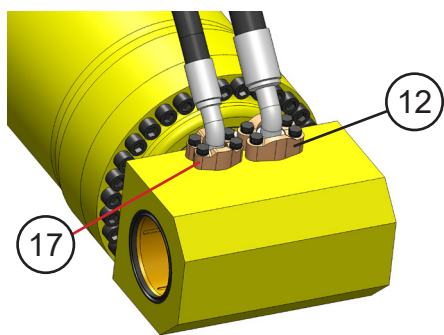
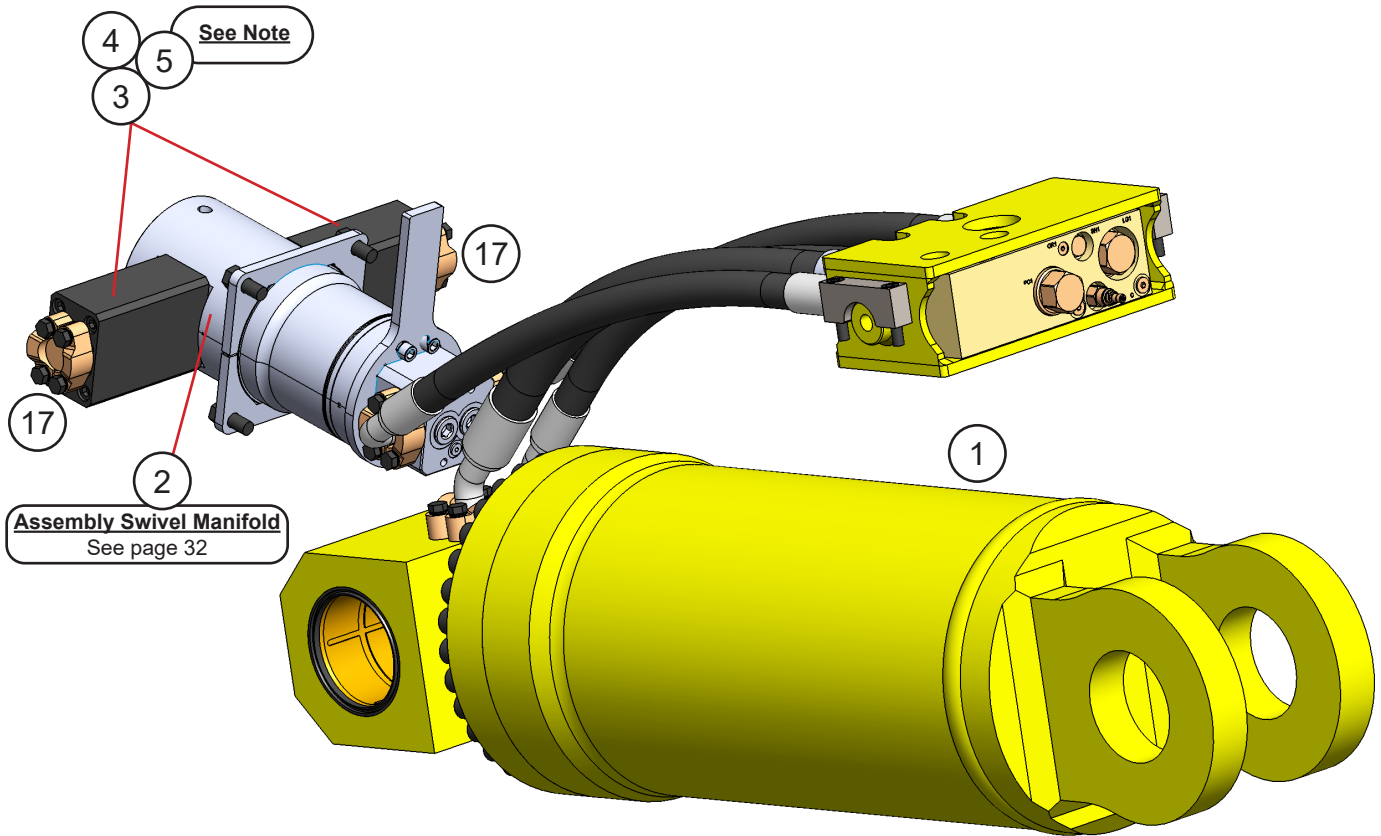
SUB-ASSEMBLY LINE MOUNT MANIFOLD



SUB-ASSEMBLY LINE MOUNT MANIFOLD

ITEM	QTY	PART NUMBER	DESCRIPTION
1	1	6302658	Valve Line Body
2	1	6300361	Valve Flow Control Seal Kit SK6300634
3	1	6310050	Adapter 08MB - 08MO
4	1	6310183	Adapter 08MB - 08MB
5	1	6300364	Filter
6	2	F0110030	Hex Head Capscrew M10 x 1.50 x 30
7	2	F1900040	Washer Wedge Lock $\frac{3}{8}$

ASSEMBLY OPEN AND CLOSE CIRCUIT



ASSEMBLY OPEN AND CLOSE CIRCUIT

ITEM	QTY	PART NUMBER	DESCRIPTION
1	1	*	Assembly Cylinder B12.0 R8.0 S22.00
2	1	See page 32	Assembly Swivel Manifold
3	2	*	Mach Port Block
4	4	*	Socket Head Capscrew
5	2	*	O-Ring
6	5	1" Split Flange Kit - Code 61	
	2	H0261100	Split Flange Half 1.00 Code 61
	4	F0110035	Hex Head Capscrew M10 x 1.50 x 35
	4	F1900040	Washer Wedge Lock $\frac{3}{8}$
	1	S0190219	O-Ring
7	1	See page 34	Valve Regen
8	4	F0612090	Socket Head Capscrew M12 x 1.75 x 90
9	1	1110627	Pivot Regen Tray
10	4	F0610060	Socket Head Capscrew M10 x 1.50 x 60
11	2	*	Regen Tray Bearing
12	2	1¼" Split Flange Kit - Code 62	
	2	H0262125	Split Flange Half 1.25 Code 62
	4	F0112050	Hex Head Capscrew M12 x 1.75 x 50
	4	F1900050	Washer Wedge Lock $\frac{1}{2}$
	1	S0190222	O-Ring
13	1	1109582	Hose
14	1	1106899	Hose
15	1	1106900	Hose
16	1	1109581	Hose
17	3	1" Split Flange Kit - Code 62	
	2	H0262100	Split Flange Half 1.00 Code 62
	4	F0110050	Hex Head Capscrew M10 x 1.50 x 50
	4	F1900040	Washer Wedge Lock $\frac{3}{8}$
	1	S0190219	O-Ring

* Part numbers are Serial Number specific. For replacement parts call the Genesis Parts Department. The cylinder Serial Number is required to order a cylinder seal kit.

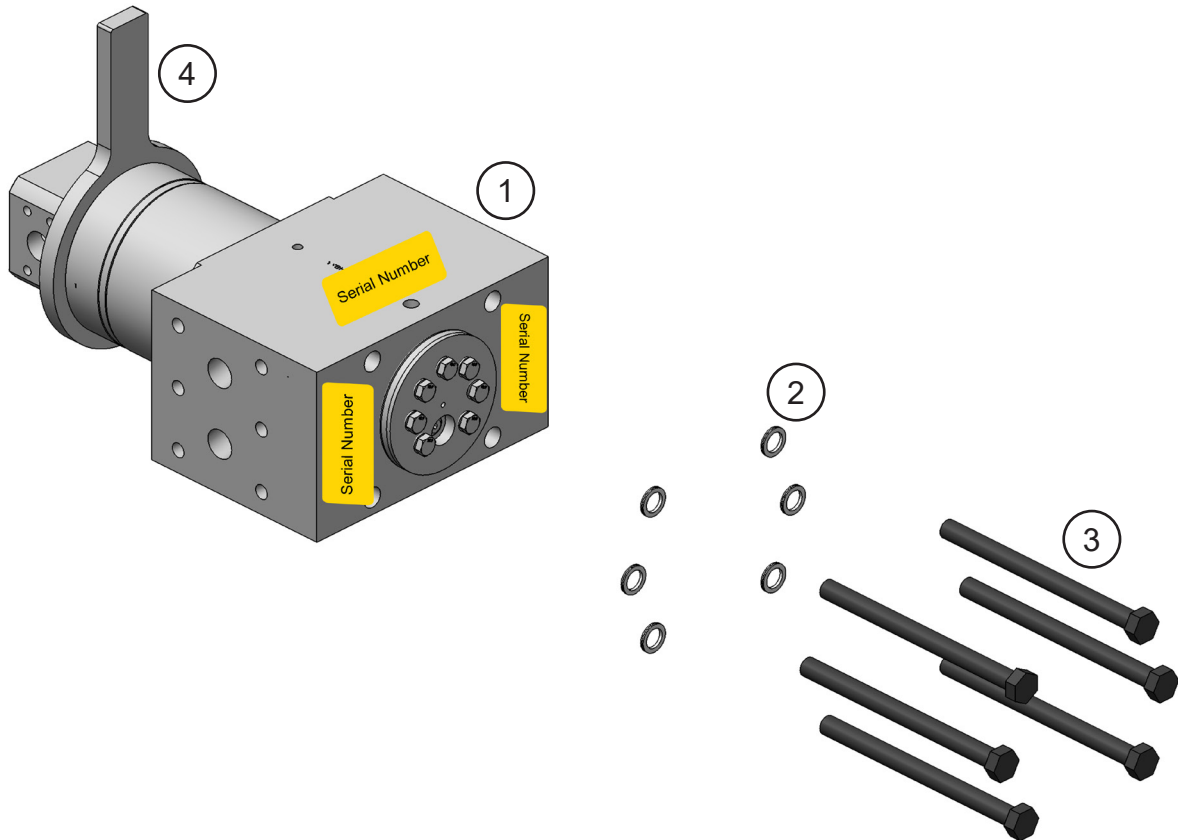
USA

715-395-3488

Europe

+49 83 31 9 25 98 0

ASSEMBLY SWIVEL MANIFOLD



ASSEMBLY SWIVEL MANIFOLD

ITEM	QTY	PART NUMBER	DESCRIPTION
1	1	*	Assembly Swivel Manifold
2	4	F1900063	Washer Wedge Lock $\frac{5}{8}$
3	4	F0116040	Hex Head Capscrew M16 x 2.0 x 40
4	1	*	Torque Arm Kit

* Part numbers are Serial Number specific.

For replacement parts and seal kit, call the Genesis Parts Department.

The swivel Serial Number, located in one of the three highlighted areas, is required for **any** parts order.

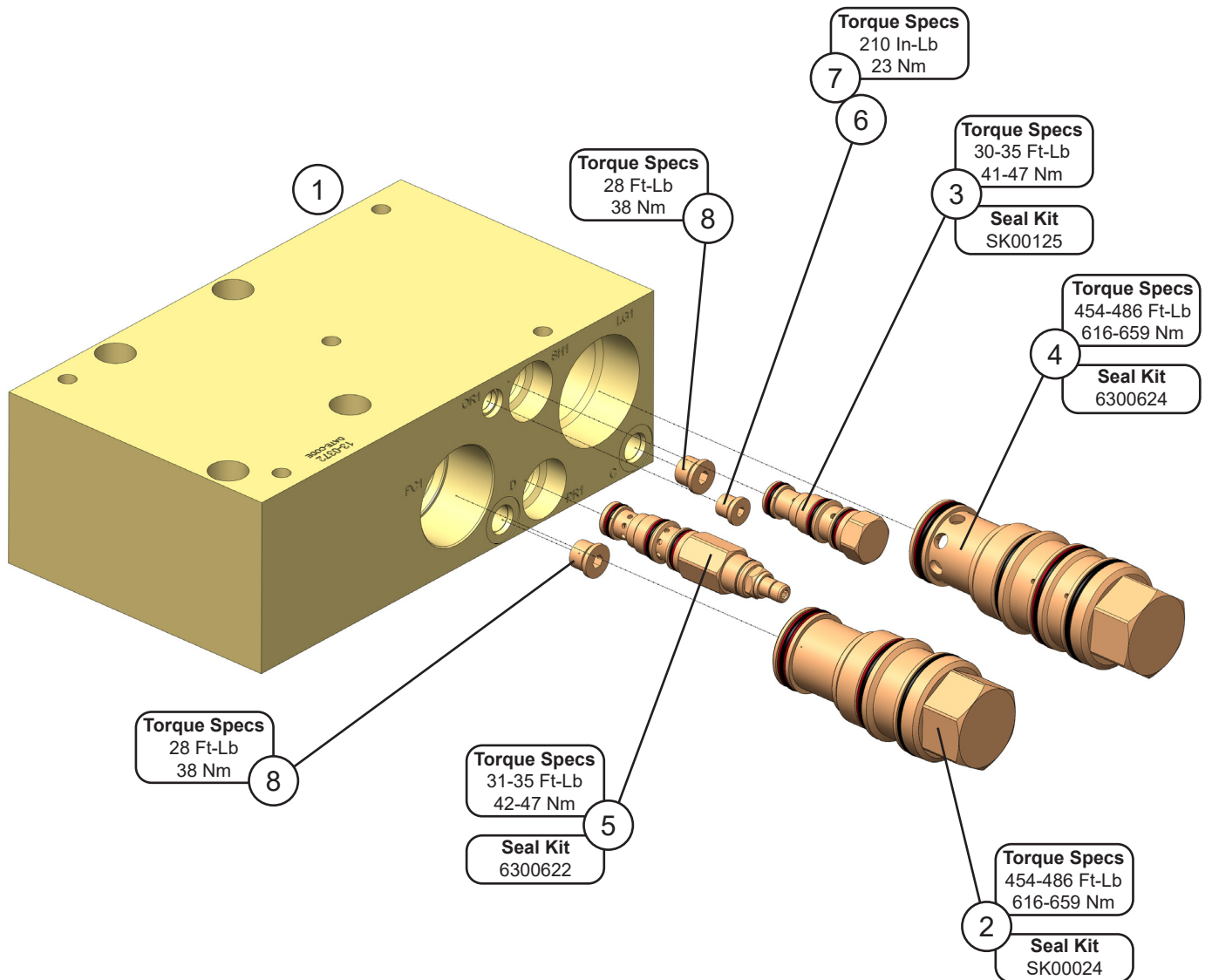
USA

715-395-3488

Europe

+49 83 31 9 25 98 0

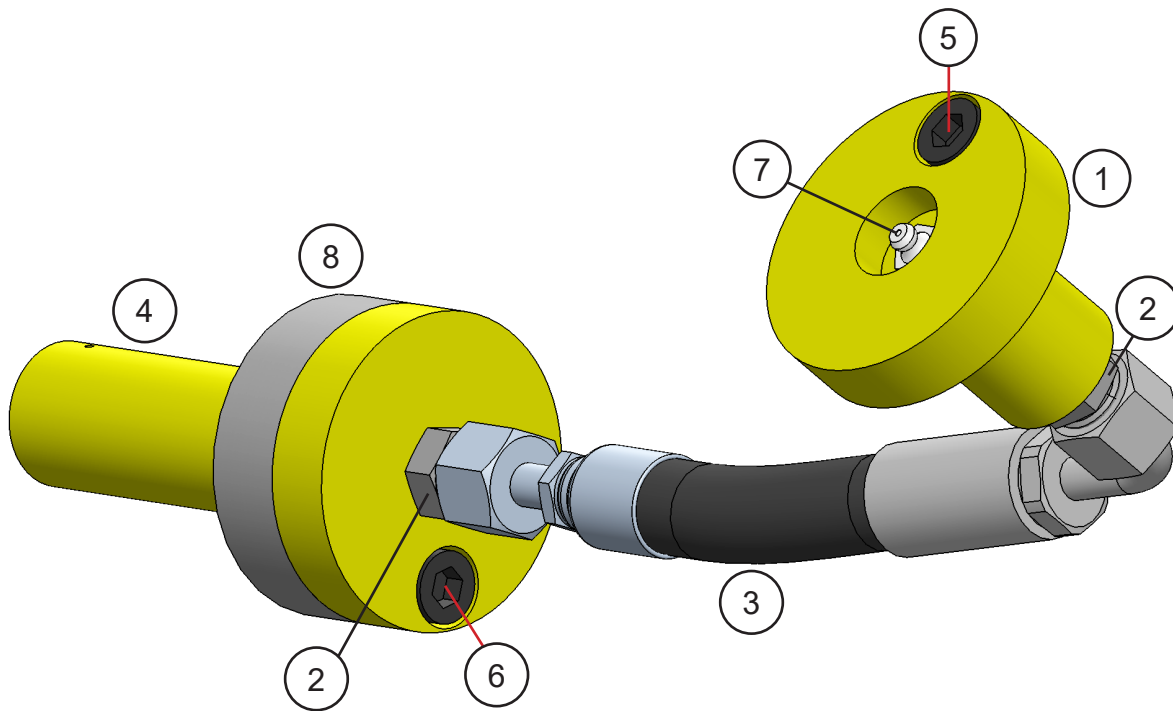
REGEN BLOCK SUB-ASSEMBLY



REGEN BLOCK SUB-ASSEMBLY

ITEM	QTY	PART NUMBER	DESCRIPTION	
1	1	6360022	Manifold Block	Seal Kit SK00188
2	1	6300061	Pilot to Close Check Valve	Seal Kit SK00024
3	1	6301200	Valve Shuttle	Seal Kit SK00125
4	1	6300623	Logic Element	Seal Kit 6300624
5	1	6300625	Pressure Reducing Valve	Seal Kit 6300622
6	1	6300903	Plug Pipe Orifice 01MP 1/16-27 NPT	
7	1	6300076	Plug Socket Head 04MB	
8	2	6300078	Plug Socket Head 06MB	

ASSEMBLY SLEWING RING LUBRICATION



ASSEMBLY SLEWING RING LUBRICATION

ITEM	QTY	PART NUMBER	DESCRIPTION
1	1	5512411	Mach Grease Bulkhead Adapter
2	2	6302679	Adapter 02MP-06MFS
3	1	1109374	Hose
4	1	5512419	Mach Slewing Ring Grease Adapter
5	1	F0610040	Socket Head Capscrew M10 x 1.50 x 40
6	1	F0610020	Socket Head Capscrew M10 x 1.50 x 20
7	1	6200002	Grease Fitting
8	1	3502826	Mach Spacer Slewing Ring Grease Adapter

BOLT TORQUE SPECIFICATIONS

Reference the product Thread Treatment Diagrams on page 39 to determine whether to use wet or dry torque values for specific bolts.

Reference Procedures on page 40 for threadlocker or anti-seize application and bolt and bolt hole cleaning.

Prior to torquing, clean all bolt holes, bolts and nuts to remove dirt, grease and oil, and identify bolt type.

Never re-torque bolts that use Loctite. If a bolt becomes loose or damaged after the initial use when Loctite was applied and the bolt was torqued, the bolt must be replaced.

Never break tightened bolts loose with a torque wrench. Doing so may break the torque wrench or take it out of calibration.

Torque wrenches should be calibrated on an annual basis.

When using a torque multiplier with a torque wrench, incorrect settings will be multiplied by the ratio of the torque wrench.

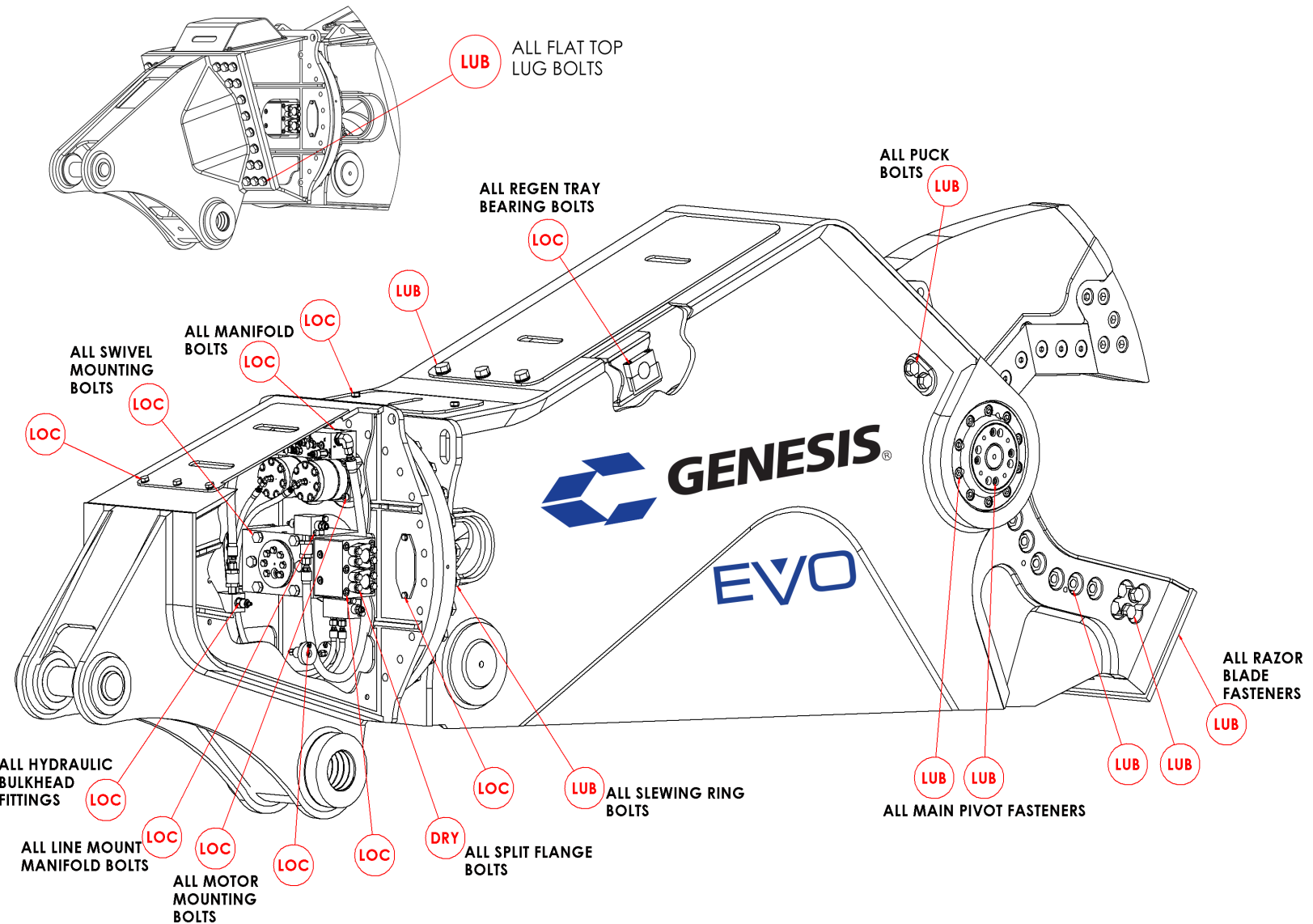
Never use an impact driver on a torque multiplier.

THREAD TREATMENT DIAGRAM

Mobile Shears

Use this diagram to determine what thread treatment, if any, is required for each fastener.

For thread treatment application procedures, see page 40. For prescribed torque values, see page 42.



PROCEDURES

Reference the product Thread Treatment Diagrams on page 39 to determine which of the following procedures is required.

Cleaning

To ensure proper performance of thread treatment and accurate torque values, clean and degrease **all internal and external threads** prior to application of threadlocker, anti-seize or primer and before installation of hardware.

- Ensure both internal and external threads are free of dirt or debris.
- Use brake cleaner or similar cleaning solvent on all threads to remove any grease or oil.
- Allow threads to dry.

NOTICE

Failure to properly clean threads will cause threadlocker, primer, and/or anti-seize to not properly cure!

LOC

Threadlocker

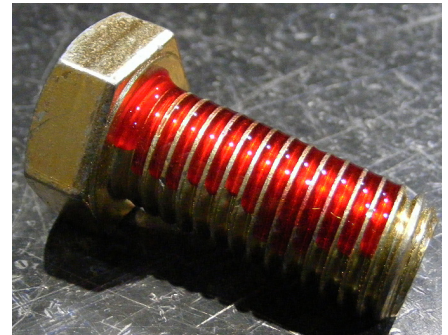
For bolted connections requiring threadlocker, use **Loctite 263** or equivalent applied using the following procedure:

- Clean and degrease all threads.
- For thru holes or nuts, apply threadlocker to bolt threads.
- For blind holes, apply stripe of threadlocker along the length of the hole (applying to the bolt can cause escaping air to remove threadlocker as the bolt is inserted).
- Torque bolt to specified **Wet Torque Value**, see page 42.

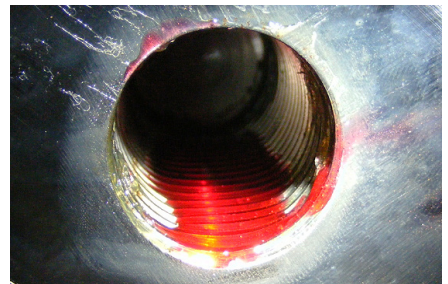
For threaded hydraulic fitting connections, use **Loctite 5452** or equivalent thread sealant in conjunction with **Loctite 7471** primer using the following procedure:

- Clean and degrease all threads.
- Apply Loctite 7471 primer to both external and internal threads and allow to dry.
- Apply threadlocker to 360 degrees of the threads on the male fitting, ensuring adequate coverage.
- Assemble fitting per directions in operator's manual.
- For O-ring boss and flat face O-ring connections, torque fittings to values specified on page 43.

Threadlocker



Blind Hole



Hydraulic Fitting



PROCEDURES

LUB

Anti-Seize

For bolted connections requiring anti-seize lubrication, use **Loctite LB8008** or equivalent using the following procedure:

- Clean and degrease all threads.
- Apply thin coat of anti-seize to internal and external threads and under bolt head and/or nut, ensuring complete coverage.
- Torque bolt to specified **Wet Torque Value**, see page 42.

Anti-Seize

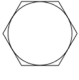
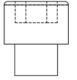
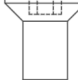


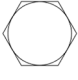
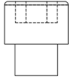
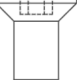
DRY

No Thread Treatment

- Clean and degrease all threads.
- Torque bolt to specified **Dry Torque Value**, see page 42.

BOLT TORQUE SPECIFICATIONS

Dry Torque Values						
		Hex/Socket Head		Flat Head		
						
Fastener Grade	Size x Pitch	Nm	Ft-lb	Nm	Ft-lb	
CL 10.9	M8 x 1.25	35	26	27	20	
	M10 x 1.50	71	53	58	42	
	M12 x 1.75	124	92	101	73	
	M14 x 1.50	200	148	163	118	
	M14 x 2.00	200	148	163	118	
	M16 x 2.00	311	230	254	184	
	M20 x 1.50	610	450	498	360	
	M20 x 2.50	608	449	497	359	
	M24 x 3.00	1054	778	861	622	
	M27 x 3.00	1543	1138	1260	910	
	M30 x 3.50	2095	1545	1712	1236	
	M36 x 4.00	3659	2699	2991	2159	
8	1/4-20	14	11	11	8	
	5/16-18	32	24	26	19	
	3/8-16	59	44	48	35	
	7/16-14	94	70	77	56	
	1/2-13	143	106	116	84	
	1/2-20	162	120	133	96	
	5/8-11	287	212	234	169	
	3/4-10	509	376	415	300	
	7/8-9	821	606	670	484	
	1.00-8	1232	909	1007	727	
	1.00-14	1383	1020	1130	816	
	1.25-7	2463	1817	2013	1453	
8/L9	1.50-6	4287	3162	3504	2529	

Wet Torque Values						
		Hex/Socket Head		Flat Head		
						
Fastener Grade	Size x Pitch	Nm	Ft-lb	Nm	Ft-lb	
CL 10.9	M8 x 1.25	29	22	23	17	
	M10 x 1.50	61	45	49	36	
	M12 x 1.75	105	78	85	62	
	M14 x 1.50	150	111	121	88	
	M14 x 2.00	170	126	138	100	
	M16 x 2.00	265	196	216	156	
	M20 x 1.50	456	337	372	269	
	M20 x 2.50	517	382	422	305	
	M24 x 3.00	894	660	731	528	
	M27 x 3.00	1312	968	1072	774	
	M30 x 3.50	1779	1312	1453	1049	
	M36 x 4.00	3110	2294	2542	1835	
8	1/4-20	13	10	11	8	
	5/16-18	27	20	22	16	
	3/8-16	50	37	40	29	
	7/16-14	80	59	65	47	
	1/2-13	122	90	99	72	
	1/2-20	138	102	112	81	
	5/8-11	244	180	199	144	
	3/4-10	433	320	354	256	
	7/8-9	698	515	570	412	
	1.00-8	1046	772	854	617	
	1.00-14	1175	867	960	693	
	1.25-7	2095	1545	1712	1236	
8/L9	1.50-6	3644	2688	2979	2150	

O-RING BOSS & FLAT FACE O-RING TORQUE SPECIFICATIONS

O-Ring Boss Torque Values		
Size Dash	Nm	Ft-lb
-4	22	16
-5	27	20
-6	36	26
-8	83	60
-10	110	80
-12	187	135
-14	249	180
-16	304	220
-20	387	280
-24	498	360

Flat Face O-Ring Torque Values		
Size Dash	Nm	Ft-lb
-4	18	13
-6	30	22
-8	60	44
-10	85	62
-12	121	88
-14	121	88
-16	160	116
-20	213	154
-24	274	198

BOLT DRIVE SPECIFICATIONS

Thread Size x Pitch	Hex Head	Socket Head	Flat Head
			
Wrench/Drive Size			
M8 x 1.25	13mm	6mm	5mm
M10 x 1.50	17mm	8mm	6mm
M12 x 1.75	19mm	10mm	8mm
M14 x 1.50	22mm	12mm	10mm
M14 x 2.00	22mm	12mm	10mm
M16 x 2.00	24mm	14mm	10mm
M20 x 1.50	30mm	17mm	12mm
M20 x 2.50	30mm	17mm	12mm
M24 x 3.00	36mm	19mm	14mm
M27 x 3.00	41mm	19mm	-
M30 x 3.50	46mm	22mm	-
M36 x 4.00	55mm	27mm	-
1/4-20	7/16"	3/16"	5/32"
5/16-18	1/2"	1/4"	3/16"
3/8-16	9/16"	5/16"	7/32"
7/16-14	5/8"	3/8"	1/4"
1/2-13	3/4"	3/8"	5/16"
1/2-20	3/4"	3/8"	5/16"
5/8-11	15/16"	1/2"	3/8"
3/4-10	1-1/8"	5/8"	1/2"
7/8-9	1-5/16"	3/4"	9/16"
1.00-8	1-1/2"	3/4"	5/8"
1.00-14	1-1/2"	3/4"	5/8"
1.25-7	1-7/8"	7/8"	7/8"
1.50-6	2-1/4"	1"	1"

WARRANTY

Claim Procedure

Notify the Genesis Service Department of the potential warranty claim prior to making the repair. Digital pictures are very helpful for diagnosing problems and recommending repairs.

Contact the Genesis Service Department before making alterations, changes or repairs to any component that is going to be considered for warranty. Not doing so will void all Genesis warranty consideration.

The Genesis Service Department will issue an authorization number to track the repair costs, outgoing parts, and/or defective parts returning to the factory.

Replacement parts must be ordered using a purchase order number. Shipping is standard ground. Overnight shipping is available by request, and Genesis will not cover the shipping charge.

When the repair is complete, submit an invoice to the Genesis Service Department within 30 days. Include itemized internal labor reporting, parts lists and invoices for outside contractors. Reference the authorization number on all invoices.

When returning parts for warranty consideration, include a copy of any related Genesis paperwork along with any other necessary documentation to ensure proper processing and credit. The Genesis Service Department will provide the necessary forms.

Your account will be credited when the warranty claim is accepted.

Blade Warranty

Standard warranty on blades will only be considered on the first edge, and wear on the edge must be 1/8" radius or less. Genesis does not warranty cutting blades that are cracked or broken from top to bottom (perpendicular to the long edge of the blade). Genesis also does not cover fasteners, the labor to replace wear components or collateral damage, such as blade seats, from broken blades, the piercing blade tang or adjustment plates.

Please direct any questions to the Genesis Service Department: 715-395-5252

PARTS ORDER POLICY AND PROCEDURE

Parts Orders Should Include

- Purchase order number
- Model and serial number of attachment
- Part number and quantity needed
- Shipping and billing address
- Method of shipment or required delivery date

Placing Orders

Orders may be placed by phone or e-mail. To e-mail an order, use the form on the following page or your purchase order form. Contact information is located at the front of this manual.

Part Numbers

Part numbers are listed in a separate Parts Manual or, if included, the Parts section of this manual. Contact the Genesis Parts Department with questions regarding part numbers, availability and pricing.

Shipping

All orders will be shipped best way surface unless an alternate shipping method is requested. Shipping charges are not included in the purchase price of parts.

Invoices

All invoices are due upon receipt. Any accounts with invoices open beyond 60 days are subject to review and may be placed on C.O.D. status without further notice.

Returns

Many unused Genesis parts may be returned with proper documentation. Return shipping is the responsibility of the purchaser. Credit will be issued upon return, less a 25% restocking fee. Documentation is required for credit of returned parts. Contact the Genesis Service Department at 715-395-5252 for an RGA (Return Goods Authorization) number and form. An RGA must accompany every return. Items shipped without an RGA may be returned to sender.

Warranty Returns

All parts returned to Genesis for warranty consideration must be returned with a completed RGA (Return Goods Authorization) provided by the Genesis Service Department. The form needs to be completed in its entirety, including any additional information requested by the Service Department. Return shipping is the responsibility of the sender and will be credited upon claim approval. A determination to accept or deny the claim will be made based upon the information available to Genesis. Warranty on purchased parts other than wear components is 6 months. Genesis does not cover labor costs to replace purchased parts replaced under warranty. There is no warranty period on wear parts or components.

INDEX

- 1" Split Flange Kit - Code 61 31
- 1" Split Flange Kit - Code 62 31
- 1101955 Mach Blade Razor 11
- 1103607 Pin Keeper Rear 17
- 1103609 Mach Bolt Socket Head Capscrew 1 - 8 x 4¼ 13
- 1105397 Shim Set, Blade 11
- 1105939 Mach Blade Tip Right 13
- 1105940 Mach Blade Tip Left 13
- 1105941 Mach Blade Guide 11
- 1106413 Mach Guide Blade Adjustment Plate 11
- 1106414 Mach Guide Blade Adjustment Plate 11
- 1106477 Shim Set, Guide Blade 11
- 1106876 Mach Blade 11, 13
- 1106877 Mach Adjustment Plate Primary 11
- 1106879 Mach Adjustment Plate Secondary 11
- 1106888 Front Cyl Pin 17
- 1106899 Hose 31
- 1106900 Hose 31
- 1109372 Hose 25
- 1109373 Hose 25
- 1109374 Hose 37
- 1109581 Hose 31
- 1109582 Hose 31
- 1109625 Hose 25
- 1109626 Hose 25
- 1109629 Hose 25
- 1110417 Shim Set Puck 15
- 1110615 Mach Bearing RH 7
- 1110616 Mach Bearing LH 9
- 1110617 End Cap 7, 9
- 1110618 Thrust Washer 7, 9
- 1110619 Tie Rod Nut 7, 9
- 1110620 Tie Rod 7
- 1110621 Top Cover 19
- 1110626 Rear Cover 19
- 1110627 Pivot Regen Tray 31
- 1110635 Pin Rear Cyl 17
- 1110639 Shim Set Thrust Washer 7, 9
- 1110658 Bearing Upper Cyl 17
- 3500350 Pin Keeper (Clevis) 17
- 3502826 Mach Spacer Slewing Ring Grease Adapter 37
- 5500752 Bar Strap 21
- 5512411 Mach Grease Bulkhead Adapter 37
- 5512419 Mach Slewing Ring Grease Adapter 37
- 5513499 Sub Head Cover 21
- 5519155 Ring Bolt Cover 23
- 6100092 Bearing Slewing 23
- 6200002 Grease Fitting 7, 9, 15, 17, 21, 37
- 6200099 Snap Ring 6.00 Dia x 0.125T Internal 17
- 6300052 Adapter 12MB-08MO 25
- 6300054 Plug Socket Head 08MB 27
- 6300061 Pilot to Close Check Valve 35
- 6300076 Plug Socket Head 04MB 35
- 6300078 Plug Socket Head 06MB 35
- 6300088 Diagnostic Nipple 04MP 27
- 6300361 Valve Flow Control 29
- 6300364 Filter 29
- 6300623 Logic Element 35
- 6300625 Pressure Reducing Valve 35
- 6300903 Plug Pipe Orifice 01MP 1/16-27 NPT 35
- 6301200 Valve Shuttle 35
- 6302658 Valve Line Body 29
- 6302679 Adapter 02MP-06MFS 37
- 6310001 Diagnostic Nipple Dust Cap 27
- 6310050 Adapter 08MB - 08MO 29
- 6310183 Adapter 08MB - 08MB 29
- 6310405 Adapter 12MB-08MO-45 25
- 6360022 Manifold Block 35
- 6360158 Valve Block 27
- 6380035 Valve Counterbalance Seat Kit SK00058 27
- Assembly Access Covers 5, 18, 19
- Assembly Auto Guide 5, 14, 15
- Assembly Cylinder B12.0 R8.0 S22.00 31
- Assembly Cylinder Pins 5, 16, 17
- Assembly Lower Blades 5, 10, 11
- Assembly Open and Close Circuit 5, 30, 31
- Assembly Pivot Group - Left Side 5, 8, 9
- Assembly Pivot Group - Right Side 5, 6, 7
- Assembly Rotation 5, 22, 23, 25
- Assembly Rotation Circuit 5
- Assembly Rotation Circuit - 2nd Member 24, 25
- Assembly Slewing Ring Lubrication 5, 36, 37
- Assembly Swivel Manifold 5, 31, 32, 33
- Assembly Upper Blades 5, 12, 13
- Assembly Upper Head 5, 20, 21
- Blade Side Puck 15
- Bolt Drive Specifications 44
- Bolt Torque Specifications 38, 42
- Boom Bearing 21
- Contact Information 2, 50
- F090880 Hex Nut .88-9 11
- F0110020 Hex Head Capscrew M10 x 1.5 x 20 23
- F0110030 Hex Head Capscrew M10 x 1.50 x 30 25, 29
- F0110035 Hex Head Capscrew M10 x 1.50 x 35 31
- F0110050 Hex Head Capscrew M10 x 1.50 x 50 31
- F0112030 Hex Head Capscrew M12 x 1.75 x 30 21
- F0112050 Hex Head Capscrew M12 x 1.75 x 50 31
- F0112130 Hex Head Capscrew M12 x 1.75 x 130 25
- F0114055 Hex Head Capscrew M14 x 2.0 x 55 23
- F0116035 Hex Head Capscrew M16 x 2.0 x 35 19
- F0116040 Hex Head Capscrew M16 x 2.0 x 40 33
- F0120080 Hex Head Capscrew M20 x 2.5 x 80 15
- F0120100 Hex Head Capscrew M20 x 2.5 x 100 15, 23
- F0124040 Hex Head Capscrew M24 x 3 x 40 19
- F0288200 Hex Head Capscrew 7/8 - 9 x 2 11
- F0288350 Hex Head Capscrew 7/8 - 9 x 3½ 11
- F0288450 Hex Head Capscrew 7/8 - 9 x 4½ 11
- F0412030 Flat Head Capscrew M12 x 1.75 x 30 7, 9

INDEX

- F0588450 Flat Head Capscrew $\frac{7}{8}$ - 9 x $4\frac{1}{2}$ 11
- F0588500 Flat Head Capscrew $\frac{7}{8}$ - 9 x 5 13
- F0588600 Flat Head Capscrew $\frac{7}{8}$ - 9 x 6 13
- F0610020 Socket Head Capscrew M10 x 1.50 x 20 23, 37
- F0610040 Socket Head Capscrew M10 x 1.50 x 40 37
- F0610060 Socket Head Capscrew M10 x 1.50 x 60 31
- F0612025 Socket Head Capscrew M12 x 1.50 x 25 7, 9
- F0612090 Socket Head Capscrew M12 x 1.75 x 90 31
- F0616060 Socket Head Capscrew M16 x 2 x 60 7, 9
- F0620100 Socket Head Capscrew M20 x 2.50 x 100 17
- F0620180 Socket Head Capscrew M20 x 2.50 x 180 17
- F0908809 Hex Nut $\frac{7}{8}$ - 9 13
- F1020250 Nylock Hex Nut M20 x 2.5 17
- F1201224 Flat Washer M12 21
- F1300088 Flat Washer Narrow $\frac{7}{8}$ 11, 13
- F1401200 Lock Washer M12 21
- F1900040 Washer Wedge Lock $\frac{3}{8}$ 23, 25, 29, 31
- F1900050 Washer Wedge Lock $\frac{1}{2}$ 25, 31
- F1900056 Washer Wedge Lock 9/16 23
- F1900063 Washer Wedge Lock $\frac{5}{8}$ 19, 33
- F1900075 Washer Wedge Lock $\frac{3}{4}$ 15
- F1900100 Washer Wedge Lock 1.00 19
- F2588088 Set Screw Socket Head $\frac{7}{8}$ - 9 x $\frac{7}{8}$ 11
- General Arrangement 4, 5
- Guide Side Puck 15
- H0261100 Split Flange Half 1.00 Code 61 31
- H0262100 Split Flange Half 1.00 Code 62 31
- H0262125 Split Flange Half 1.25 Code 62 31
- Lugs 21
- Mach Bearing 21
- Mach Main Shaft 9
- Mach Port Block 31
- Motor 23
- O-Ring 31
- O-Ring Boss & Flat Face O-Ring Torque Specifications 43
- Parts Order Form 47
- Parts Order Policy and Procedure 46
- Pin 21
- Pinion Assembly 23
- Procedures 40, 41
- Regen Block Sub-Assembly 34, 35
- Regen Block Sub-Assembly - 6360021 5
- Regen Tray Bearing 31
- S0190219 O-Ring 31
- S0190222 O-Ring 31
- S0190238 O-Ring 7, 9
- Seal Kit 6300622 34, 35
- Seal Kit 6300624 34, 35
- Seal Kit SK00024 34, 35
- Seal Kit SK00125 34, 35
- Seal Kit SK00188 35
- Seal Kit SK6300634 28, 29
- Socket Head Capscrew 31
- Spacer Sleeve 21
- Sub-Assembly Line Mount Manifold 5, 25, 28, 29
- Sub-Assembly Rotate Cross-over / C'bal 5, 25, 26, 27
- Sub Head 21
- Table of Contents 3
- Thread Treatment Diagram 39
- Torque Arm Kit 33
- Valve Regen 31
- Valve Relief Seal Kit 6300633 27
- Warranty 45
- Wtmg Lug Upper Head 5
- Wtmg Stick 5
- Wtmg Upper 5



GENESIS®

The Promise of Performance.

CONTACT INFORMATION

Genesis Attachments

1000 Genesis Drive
Superior, WI 54880 USA

Toll Free: 888-SHEAR-IT
(888-743-2748)

Phone: 715.395.5252

E-mail:
info@genesisattachments.com

Europe/Africa/Middle East Genesis GmbH

Teramostrasse 23
87700 Memmingen, Germany

Phone: +49 83 31 9 25 98 0

Fax: +49 83 31 9 25 98 80

genesis-europe.com

E-mail:
info@genesis-europe.com

Asia Pacific Representative Office

24 Upper Serangoon View #12-28
Singapore 534205

Phone: +65 9673 9730

E-mail:
tchoo@genesisattachments.com

Central America & Colombia

Cra 13A #89-38 / Ofi 613
Bogota, Colombia

Phone: +57 1 610 8160 / 795 8747

E-mail:
contact@themsagroup.com

View and download all manuals: genesisattachments.com/manuals
Patents: genesisattachments.com/products/patents

Rev. 4-29-26