



GXT 1555R EVO Mobile Shear

PARTS MANUAL



CONTACT INFORMATION

Genesis Attachments

1000 Genesis Drive
Superior, WI 54880 USA

Toll Free: 888-SHEAR-IT
(888-743-2748)

Phone: 715.395.5252

E-mail:
info@genesisattachments.com

Europe/Africa/Middle East Genesis GmbH

Teramostrasse 23
87700 Memmingen, Germany

Phone: +49 83 31 9 25 98 0
Fax: +49 83 31 9 25 98 80
genesis-europe.com

E-mail:
info@genesis-europe.com

Asia Pacific Representative Office

24 Upper Serangoon View #12-28
Singapore 534205

Phone: +65 9673 9730

E-mail:
tchoo@genesisattachments.com

Central America & Colombia

Cra 13A #89-38 / Ofi 613
Bogota, Colombia

Phone: +57 1 610 8160 / 795 8747

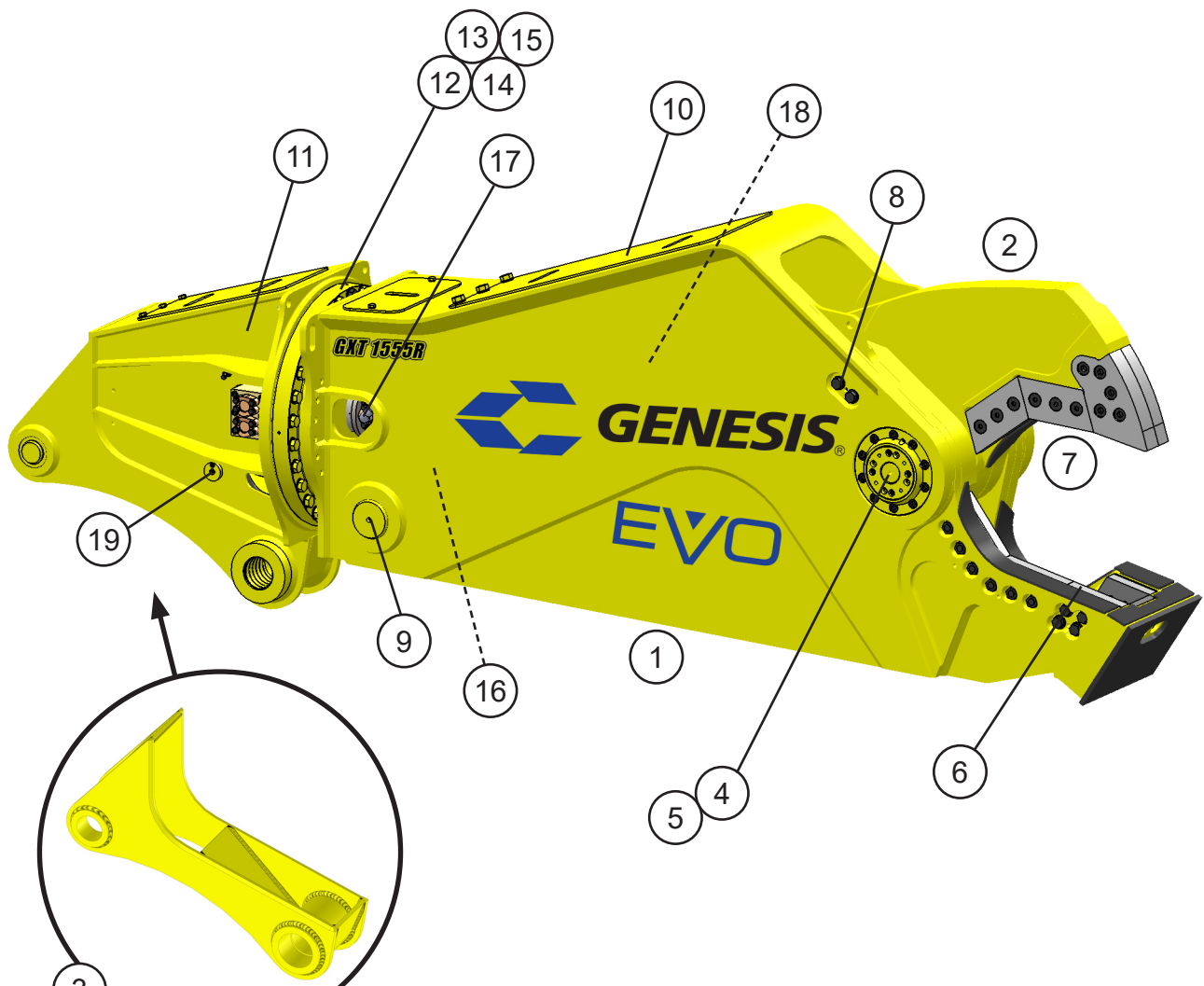
E-mail:
contact@themsagroup.com

View and download all manuals: genesisattachments.com/manuals
Patents: genesisattachments.com/products/patents

TABLE OF CONTENTS

CONTACT INFORMATION	2
GENERAL ARRANGEMENT	4
ASSEMBLY PIVOT GROUP - RIGHT SIDE	6
ASSEMBLY PIVOT GROUP - LEFT SIDE	8
ASSEMBLY LOWER BLADES	10
ASSEMBLY UPPER BLADES	12
ASSEMBLY AUTO GUIDE	14
ASSEMBLY CYLINDER PINS	16
ASSEMBLY ACCESS COVERS	18
ASSEMBLY UPPER HEAD	20
ASSEMBLY ROTATION PISTON MOTOR	22
ASSEMBLY ROTATION CIRCUIT - PISTON MOTOR	24
SUB-ASSEMBLY ROTATE CROSS-OVER / C'BAL	26
SUB-ASSEMBLY LINE MOUNT MANIFOLD	28
ASSEMBLY OPEN AND CLOSE CIRCUIT - 6350086	30
ASSEMBLY SWIVEL MANIFOLD	32
REGEN BLOCK SUB-ASSEMBLY - 6360024	34
ASSEMBLY SLEWING RING LUBRICATION	36
BOLT TORQUE SPECIFICATIONS	38
THREAD TREATMENT DIAGRAM	39
Mobile Shears.....	39
PROCEDURES	40
Cleaning.....	40
Threadlocker.....	40
Anti-Seize.....	41
No Thread Treatment.....	41
BOLT TORQUE SPECIFICATIONS	42
Dry Torque Values.....	42
Wet Torque Values.....	42
O-RING BOSS & FLAT FACE O-RING TORQUE SPECIFICATIONS	43
BOLT DRIVE SPECIFICATIONS	44
WARRANTY	45
Claim Procedure.....	45
Blade Warranty.....	45
PARTS ORDER POLICY AND PROCEDURE	46
Parts Orders Should Include.....	46
Placing Orders.....	46
Part Numbers.....	46
Shipping.....	46
Invoices.....	46
Returns.....	46
Warranty Returns.....	46
PARTS ORDER FORM	47
INDEX	48
CONTACT INFORMATION	50

GENERAL ARRANGEMENT



3
Wtmg Lug Upper Head
 Part Number is Serial Number specific.
 For replacement parts call the Genesis
 Parts Department.
USA **Europe**
 715-395-3488 +49 83 31 9 25 98 0



GENERAL ARRANGEMENT

ITEM	QTY	PART NUMBER	DESCRIPTION
1	1	*	Wtmg Stick
2	1	*	Wtmg Upper
3		*	Wtmg Lug Upper Head
4		See page 6	Assembly Pivot Group - Right Side
5		See page 8	Assembly Pivot Group - Left Side
6		See page 10	Assembly Lower Blades
7		See page 12	Assembly Upper Blades
8		See page 14	Assembly Auto Guide
9		See page 16	Assembly Cylinder Pins
10		See page 18	Assembly Access Covers
11		See page 20	Assembly Upper Head
12		See page 22	Assembly Rotation Piston Motor
13		See page 24	Assembly Rotation Circuit - Piston Motor
14		See page 26	Sub-Assembly Rotate Cross-over / C'bal
15		See page 28	Sub-Assembly Line Mount Manifold
16		See page 30	Assembly Open and Close Circuit
17		See page 32	Assembly Swivel Manifold
18		See page 34	Sub-Assembly Regen Block
19		See page 36	Assembly Slewing Ring Lubrication

* Part numbers are Serial Number specific. For replacement parts call the Genesis Parts Department.

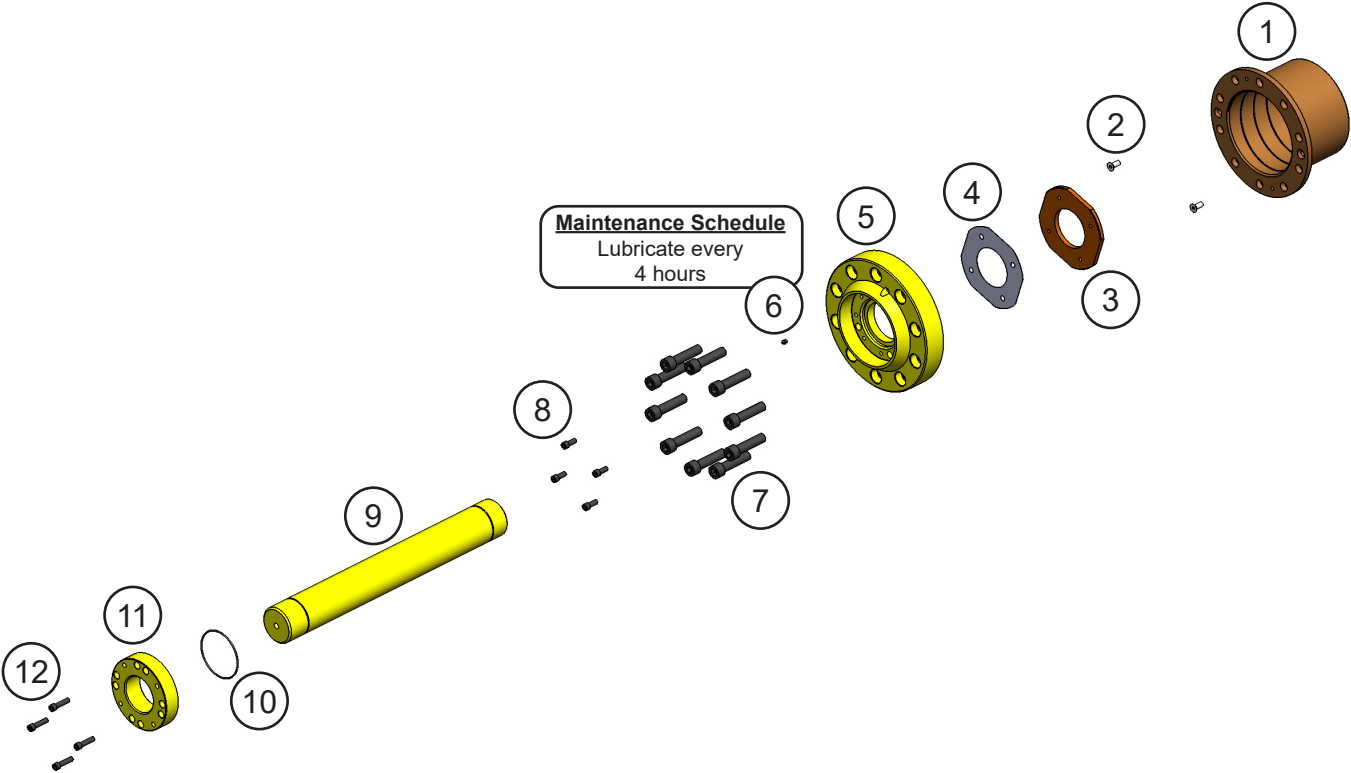
USA

715-395-3488

Europe

+49 83 31 9 25 98 0

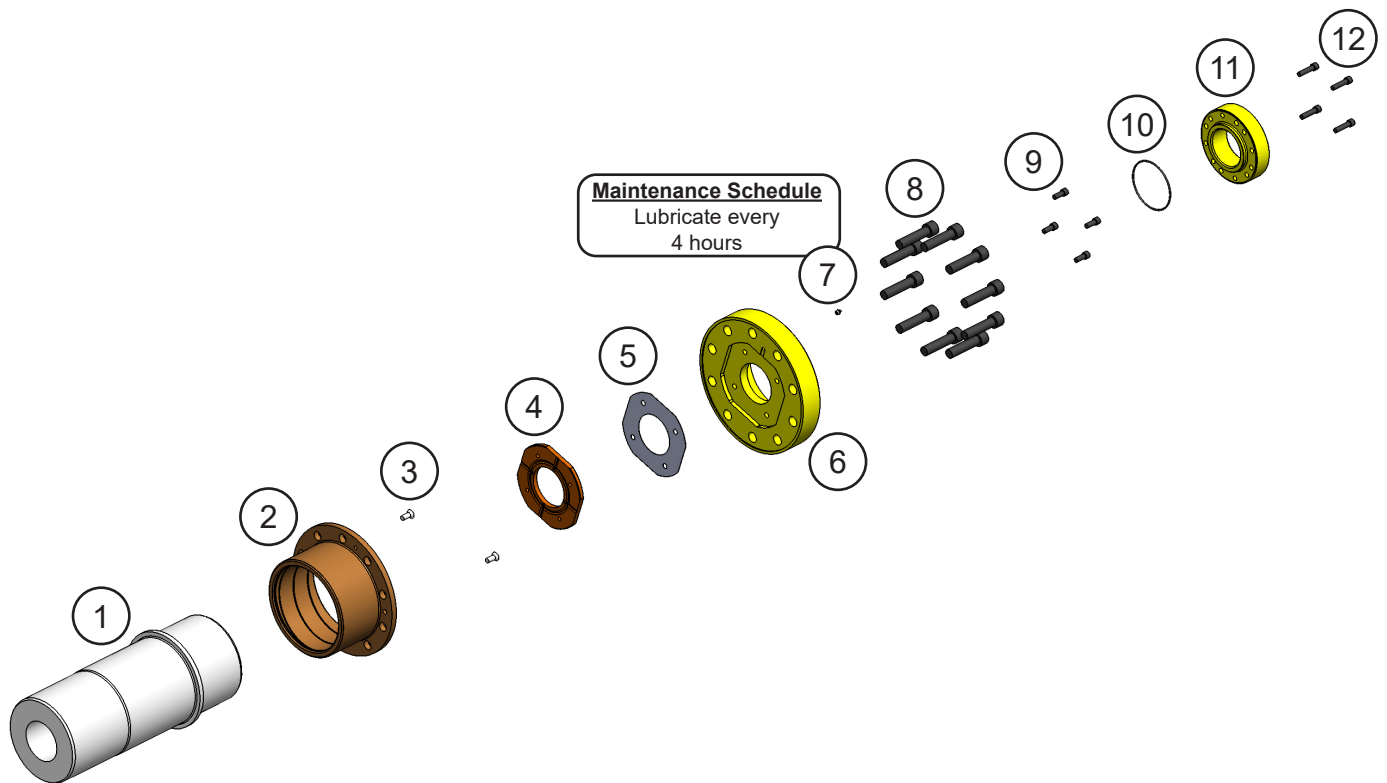
ASSEMBLY PIVOT GROUP - RIGHT SIDE



ASSEMBLY PIVOT GROUP - RIGHT SIDE

ITEM	QTY	PART NUMBER	DESCRIPTION
1	1	1110785	Mach Bearing
2	2	F0412030	Flat Head Capscrew M12 x 1.75 x 30
3	1	1110784	Mach Thrust Washer
4	1	1110788	Shim Set Thrust Washer
5	1	1110780	Mach End Cap
6	1	6200002	Grease Fitting
7	10	F0624100	Socket Head Capscrew M24 x 3.00 x 100
8	4	F0612030	Socket Head Capscrew M12 x 1.75 x 30
9	1	1110782	Mach Tie Rod
10	1	S0170251	O-Ring
11	1	1109468	Mach Tie Rod Nut
12	4	F0612050	Socket Head Capscrew M12 x 1.75 x 50

ASSEMBLY PIVOT GROUP - LEFT SIDE



ASSEMBLY PIVOT GROUP - LEFT SIDE

ITEM	QTY	PART NUMBER	DESCRIPTION
1	1	*	Mach Main Shaft
2	1	1110786	Mach Bearing
3	2	F0412030	Flat Head Capscrew M12 x 1.75 x 30
4	1	1110784	Mach Thrust Washer
5	1	1110788	Shim Set Thrust Washer
6	1	1110780	Mach End Cap
7	1	6200002	Grease Fitting
8	10	F0624100	Socket Head Capscrew M24 x 3.00 x 100
9	4	F0612030	Socket Head Capscrew M12 x 1.75 x 30
10	1	S0170251	O-Ring
11	1	1109468	Mach Tie Rod Nut
12	4	F0612050	Socket Head Capscrew M12 x 1.75 x 50

* Part number is Serial Number specific. For replacement parts call the Genesis Parts Department.

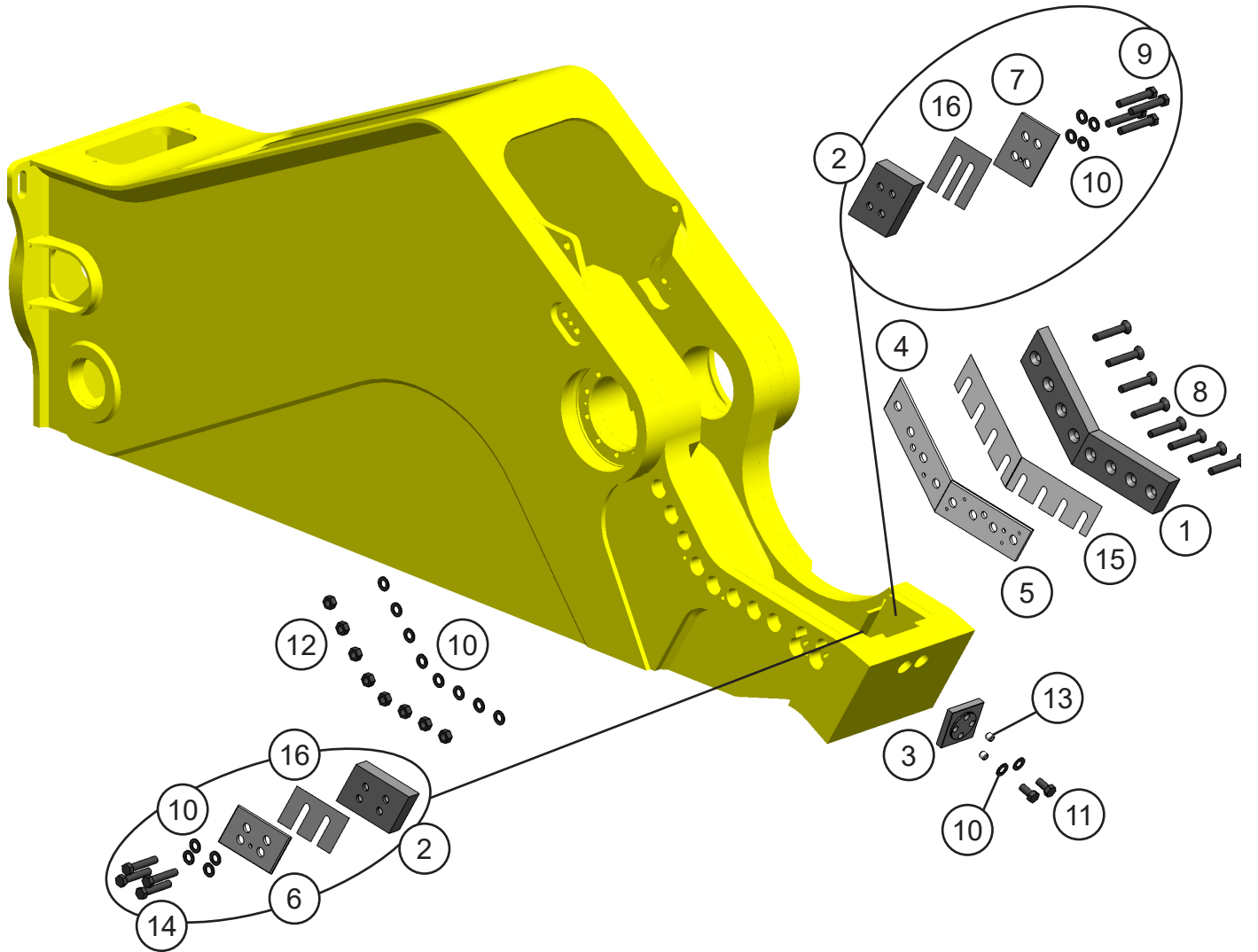
USA

715-395-3488

Europe

+49 83 31 9 25 98 0

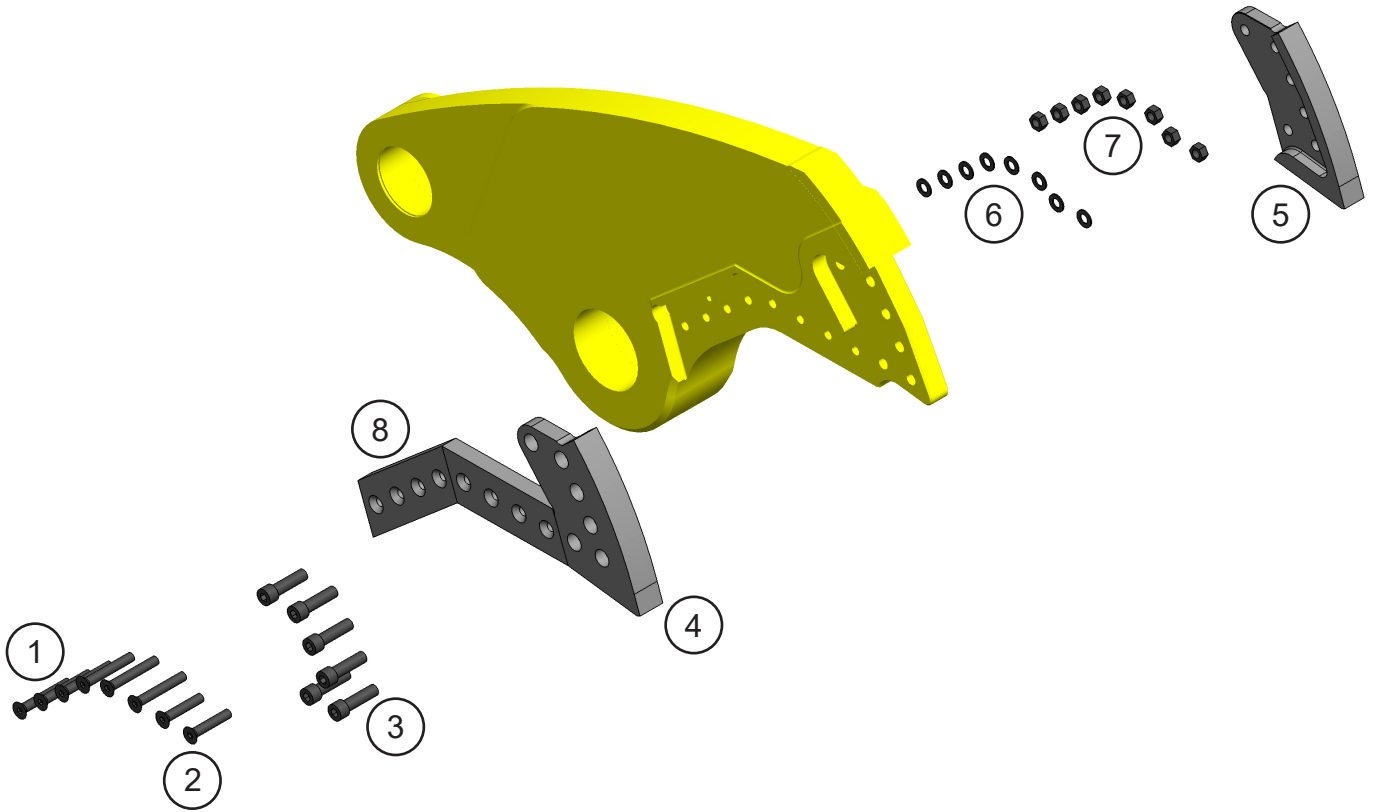
ASSEMBLY LOWER BLADES



ASSEMBLY LOWER BLADES

ITEM	QTY	PART NUMBER	DESCRIPTION
1	2	1107953	Mach Blade
2	2	1105609	Mach Blade Guide
3	1	1101957	Mach Blade Razor
4	1	1107949	Mach Adj Plate Primary
5	1	1107951	Mach Adj Plate Secondary
6	1	1105610	Mach Adj Plate Guide Blade
7	1	1105611	Mach Adj Plate Guide Blade
8	8	F0510600	Flat Head Capscrew 1 - 8 x 6
9	4	F0210600	Hex Head Capscrew 1 - 8 x 6
10	18	F1300100	Flat Washer Narrow 1"
11	2	F0210200	Hex Head Capscrew 1 - 8 x 2
12	8	F0910008	Hex Nut 1 - 8
13	2	F2510100	Set Screw Socket Head 1 - 8 x 1
14	4	F0210500	Hex Head Capscrew 1 - 8 x 5
15		1107946	Shim Set Blade
16		1105614	Shim Set Guide Blade

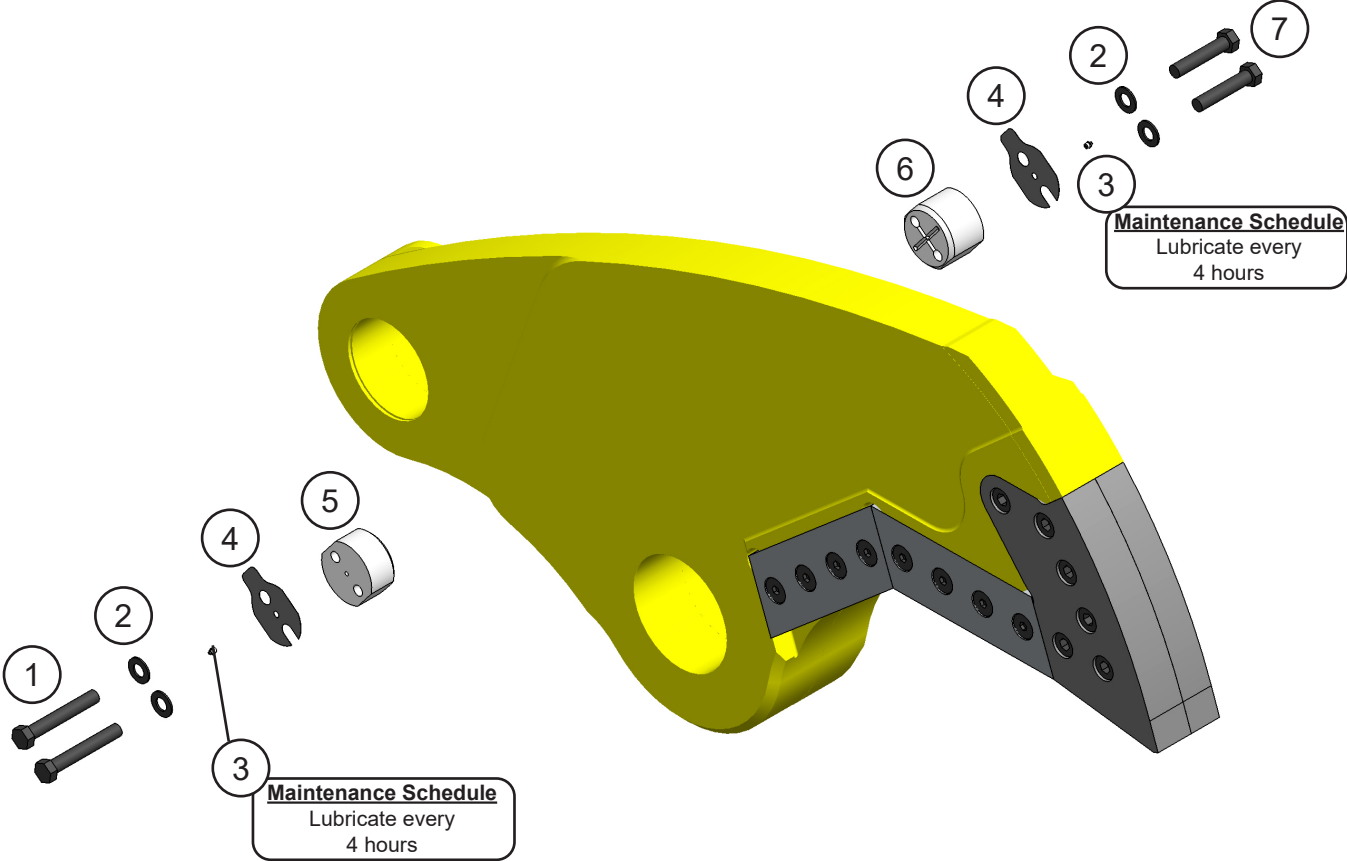
ASSEMBLY UPPER BLADES



ASSEMBLY UPPER BLADES

ITEM	QTY	PART NUMBER	DESCRIPTION
1	6	F0510700	Flat Head Capscrew 1 - 8 x 7
2	2	F0510550	Flat Head Capscrew 1 - 8 x 5½
3	6	1102857	Mach Bolt Socket Head Capscrew 1¼ - 7 x 4½ Custom
4	1	1106783	Mach Blade Tip Right
5	1	1106782	Mach Blade Tip Left
6	8	F1300100	Flat Washer Narrow 1"
7	8	F0910008	Hex Nut 1 - 8
8	2	1107953	Mach Blade

ASSEMBLY AUTO GUIDE



ASSEMBLY AUTO GUIDE

ITEM	QTY	PART NUMBER	DESCRIPTION
1	2	F0210675	Hex Head Capscrew 1 - 8 x 6.75
2	4	F1300100	Flat Washer Narrow 1"
3	2	6200002	Grease Fitting
4	2	1106478	Shim Set, Auto Guide
5	1	*	Mach Auto Guide, Blade Side
6	1	*	Mach Auto Guide, Guide Side
7	2	F0210500	Hex Head Capscrew 1 - 8 x 5

* Part number is Serial Number specific. For replacement parts call the Genesis Parts Department.

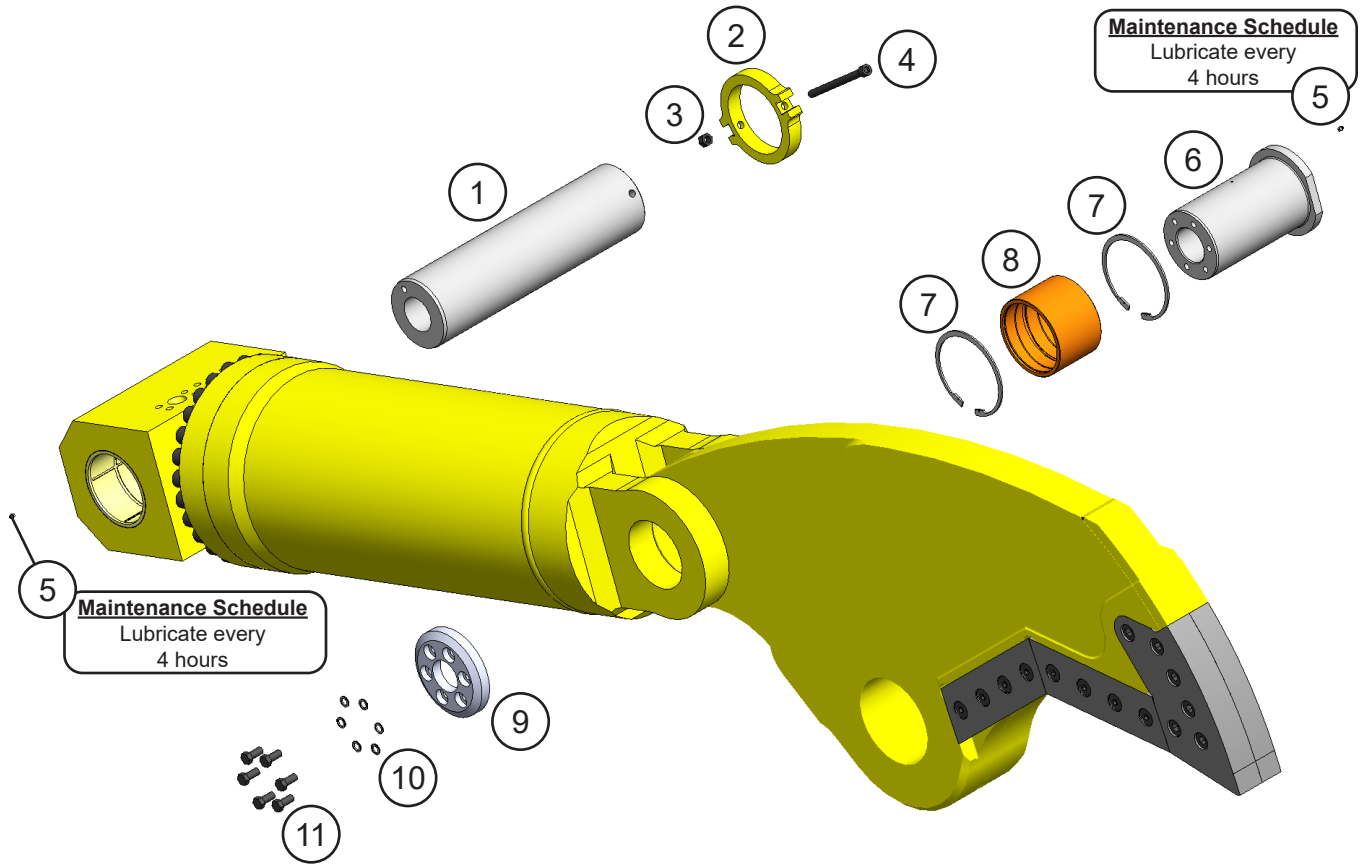
USA

715-395-3488

Europe

+49 83 31 9 25 98 0

ASSEMBLY CYLINDER PINS



ASSEMBLY CYLINDER PINS

ITEM	QTY	PART NUMBER	DESCRIPTION
1	1	1110783	Mach Pin Rear
2	1	1110801	Mach Pin Keeper Rear
3	1	F1020250	Nylock Hex Nut M20 x 2.50
4	1	F0620260	Socket Head Capscrew M20 x 2.50 x 260
5	2	6200002	Grease Fitting
6	1	*	Mach Front Cylinder Pin
7	2	6200101	Snap Ring
8	1	1110787	Mach Bearing Upper Cylinder Connection
9	1	*	Mach Cylinder Pin End Cap
10	6	F1900075	Wedge Lock Washer ¾
11	6	F0120045	Hex Head Capscrew M20 x 2.50 x 45

* Part number is Serial Number specific. For replacement parts call the Genesis Parts Department.

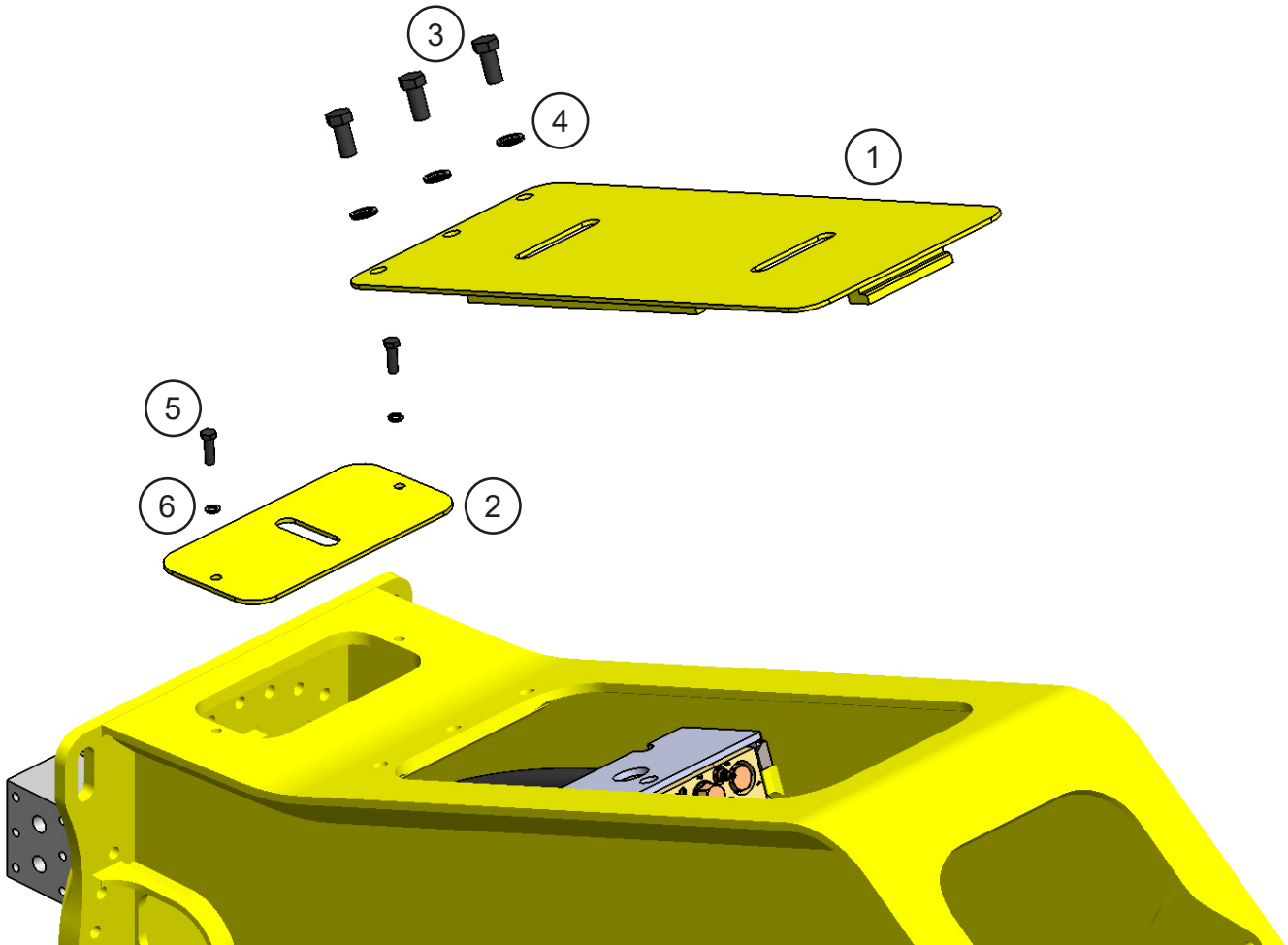
USA

715-395-3488

Europe

+49 83 31 9 25 98 0

ASSEMBLY ACCESS COVERS



ASSEMBLY ACCESS COVERS

ITEM	QTY	PART NUMBER	DESCRIPTION
1	1	1110867	Wldt Cover
2	1	1110866	Plt Rear Cover
3	3	F0127040	Hex Head Capscrew M27 x 3 x 40
4	3	F1900113	Wedge Lock Washer 1 $\frac{1}{8}$
5	4	F0116050	Hex Head Capscrew M16 x 2.0 x 50
6	4	F1900063	Wedge Lock Washer $\frac{5}{8}$

ASSEMBLY UPPER HEAD

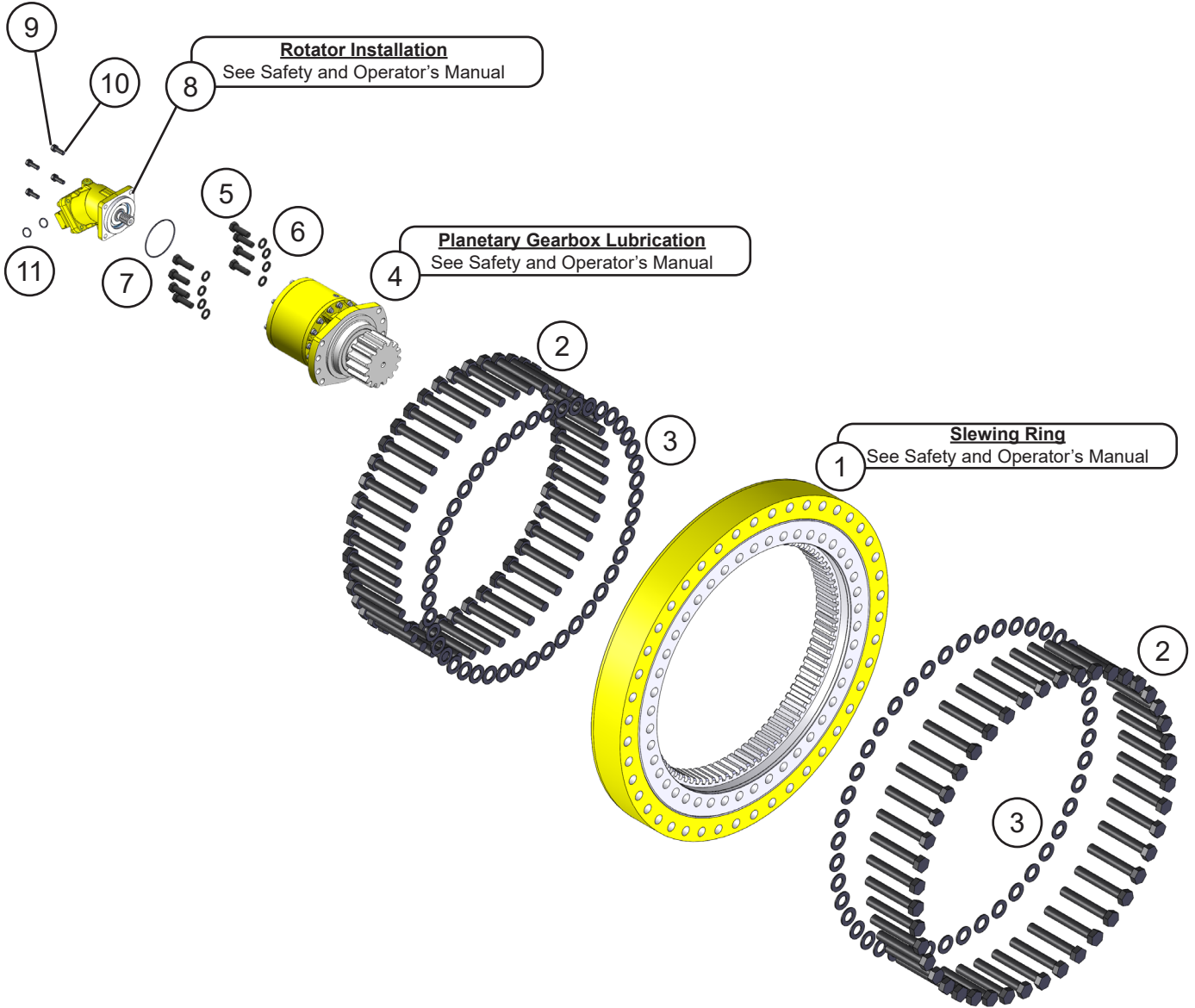
ITEM	QTY	PART NUMBER	DESCRIPTION
1	1	*	Mach Sub Head
2	1	*	Mach Lug Upper Head
3	1	*	Wldt Pin
4	2	F0112030	Hex Head Capscrew M12 x 1.75 x 30
5	2	F1401200	Lock Washer M12
6	1	5500752	Plt Strap
7	2	*	Mach Spacer Sleeve
8	2	*	Mach Bearing
9	2	*	Mach Boom Bearing
10	2	5518785	Plt Bolt Cover
11	4	F1201021	Flat Washer M10
12	4	F0110030	Hex Head Capscrew M10 x 1.50 x 30
13	*	*	Cover
14	*	*	Hex Head Capscrew
15	*	*	Washer
16	2	6200002	Grease Fitting

* Part numbers are Serial Number specific. For replacement parts call the Genesis Parts Department.

USA
715-395-3488

Europe
+49 83 31 9 25 98 0

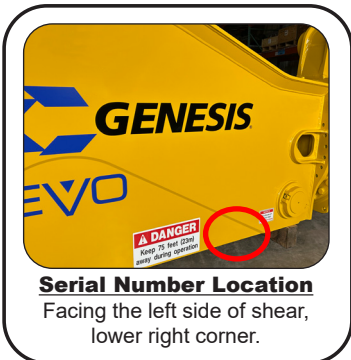
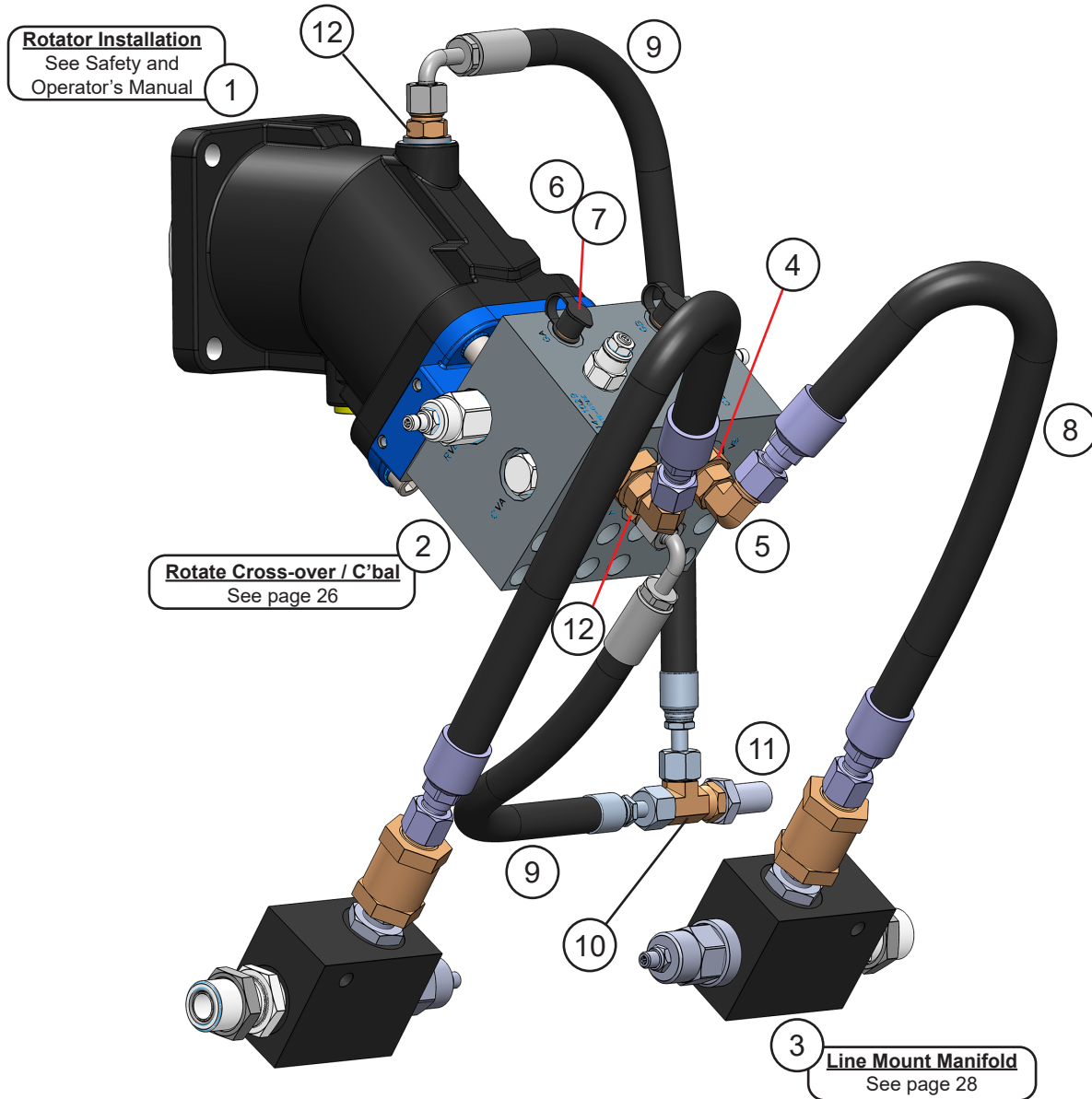
ASSEMBLY ROTATION PISTON MOTOR



ASSEMBLY ROTATION PISTON MOTOR

ITEM	QTY	PART NUMBER	DESCRIPTION
1	1	6301199	Bearing Slewing
2	88	F0213750	Hex Head Capscrew 1¼ - 7 x 7½
3	88	F2803300	Hytorc Washer
4	1	6360027	Gear Box - 8 Bolt
5	8	F0120060	Hex Head Capscrew M20 x 2.5 x 60
6	8	F1900075	Wedge Lock Washer ¾
7	1	S0190250	O-Ring
8	1	6360025	Motor
9	4	F0250150	Hex Head Capscrew ½ - 13 x 1½
10	4	F1900050	Washer Nord-Lock ½ and M12 Steel
11	2	S0190219	O-Ring

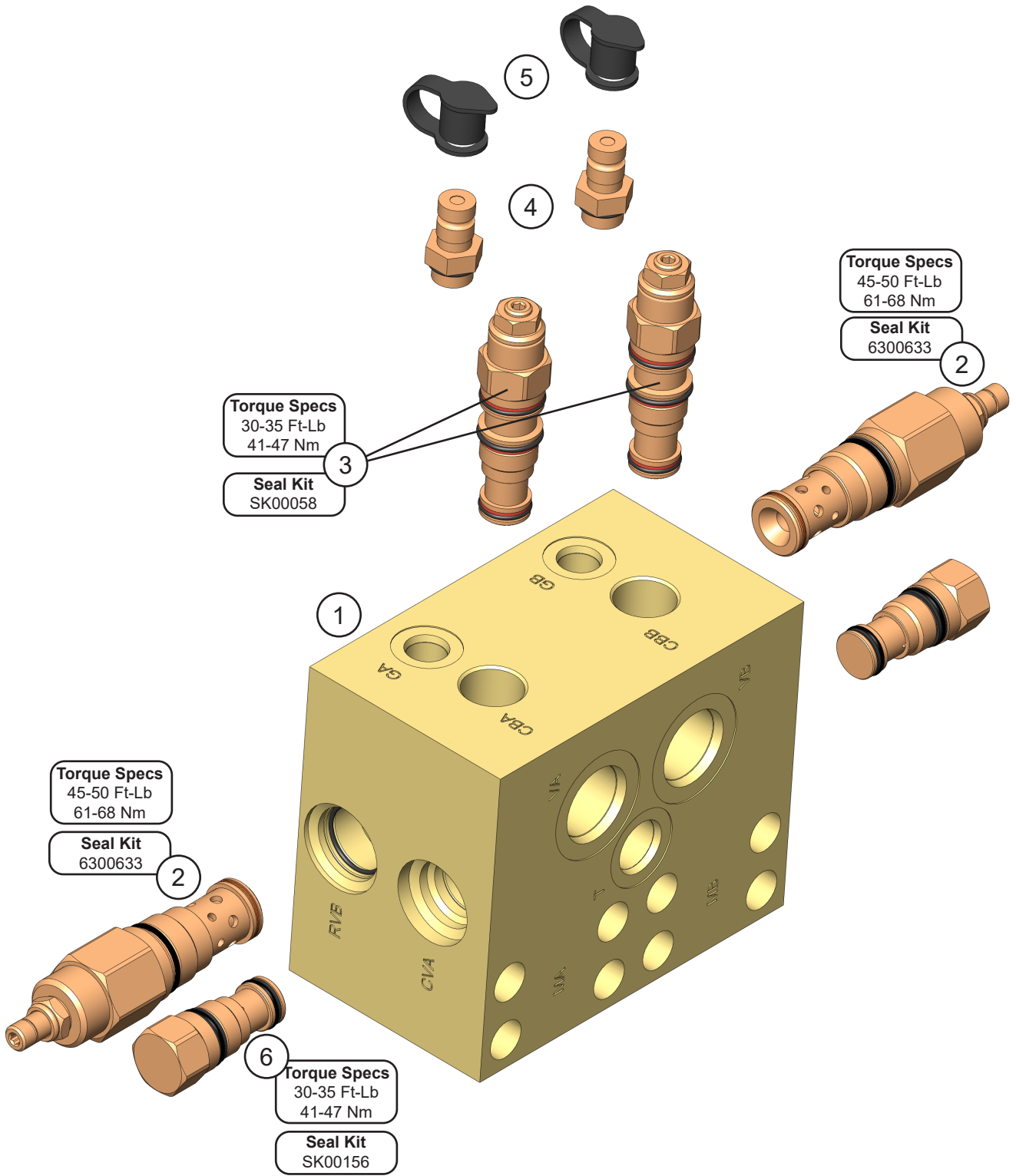
ASSEMBLY ROTATION CIRCUIT - PISTON MOTOR



ASSEMBLY ROTATION CIRCUIT - PISTON MOTOR

ITEM	QTY	PART NUMBER	DESCRIPTION
1	1	6360025	Motor
2	1	See page 26	Sub-Assembly Rotate Cross-over/C'bal
3	2	See page 28	Sub-Assembly Line Mount Manifold
4	2	6300512	Adaptor 12MB-08FB
5	2	6300303	Adaptor 08MB-08MO-90
6	2	6300014	Diagnostic Nipple 06MB
7	2	6310001	Diagnostic Nipple Dust Cap
8	2	1106466	Hose
9	2	1106465	Hose
10	1	6300407	Adaptor Run Tee 06FOX-06MO-06MO
11	1	6310149	Adaptor Bulkhead 06MO-06MO
12	1	6300148	Adaptor 06MO-08MB

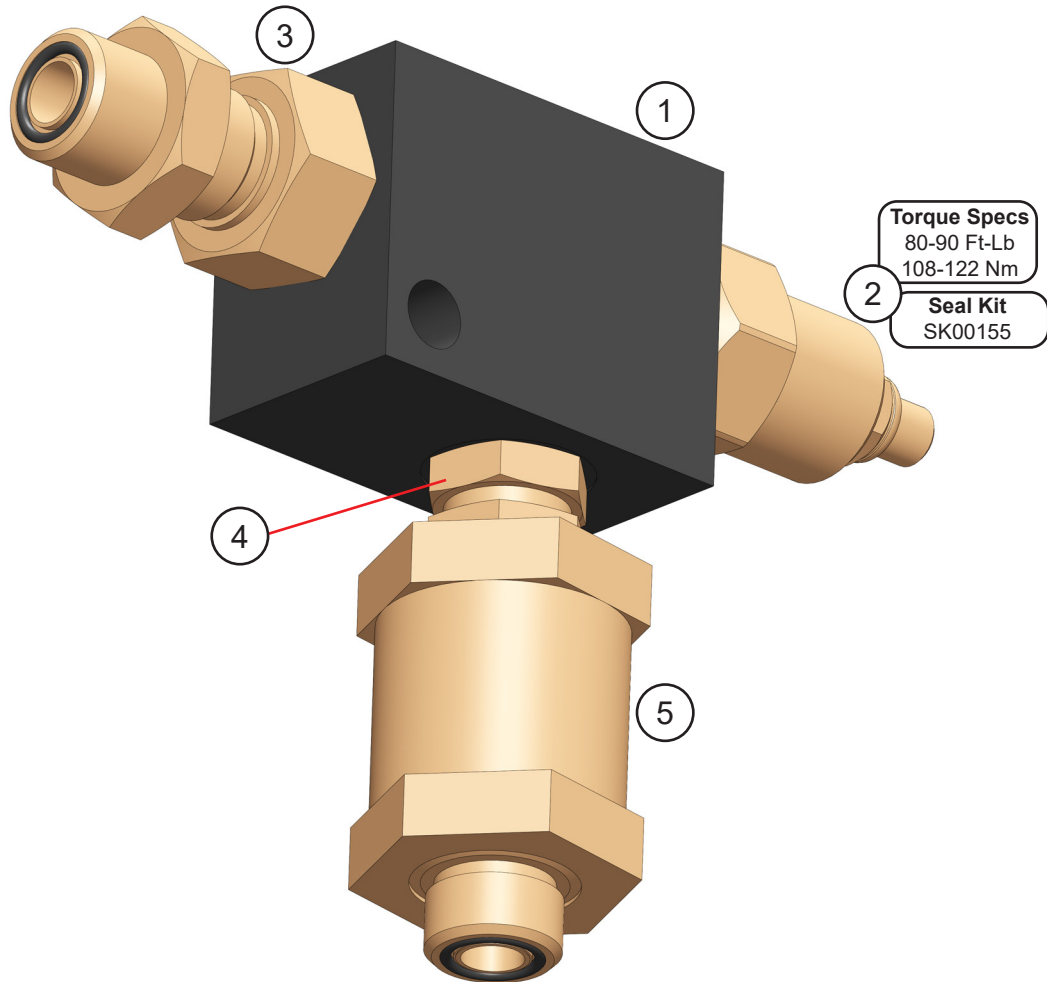
SUB-ASSEMBLY ROTATE CROSS-OVER / C'BAL



SUB-ASSEMBLY ROTATE CROSS-OVER / C'BAL

ITEM	QTY	PART NUMBER	DESCRIPTION
1	1	6360026	Valve Block
2	2	6360101	Valve Relief Seal Kit 6300633
3	2	6360030	Valve Counterbalance Seal Kit SK00058
4	2	6300014	Diagnostic Nipple 06MB
5	2	6310001	Diagnostic Nipple Dust Cap
6	2	6360088	Valve Check Seal Kit SK00156

SUB-ASSEMBLY LINE MOUNT MANIFOLD



SUB-ASSEMBLY LINE MOUNT MANIFOLD

ITEM	QTY	PART NUMBER	DESCRIPTION
1	1	6300719	Valve Line Body
2	1	6300720	Valve Flow Control
3	1	6310186	Adaptor Bulkhead 12MB-12MO
4	1	6310194	Adaptor 08MB-12MB
5	1	6300364	Filter
	1	6300582	Plug Pipe 04MP ¼ - 18 NPT

ASSEMBLY OPEN AND CLOSE CIRCUIT - 6350086

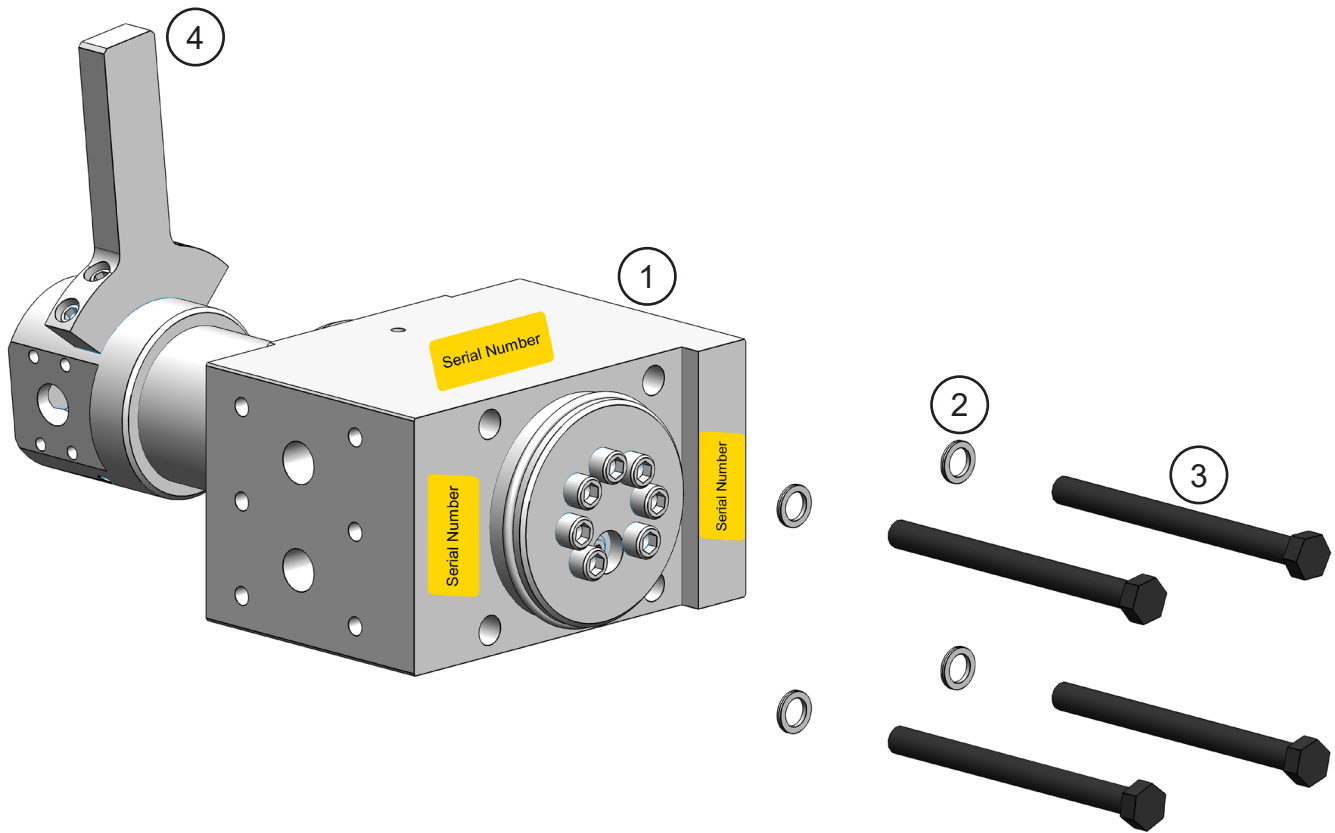
ITEM	QTY	PART NUMBER	DESCRIPTION
1	1	*	Assembly Cylinder B14.0 R9.0 S32.75
2	1	See page 32	Assembly Swivel Manifold
3	2	*	Mach Port Block
4	12	*	Hex Head Capscrew
5	2	*	O-Ring
6	4	1½" Split Flange Kit	
	2	H0262150	Split Flange Half 1.50 Code 62
	4	F0116060	Hex Head Capscrew M16 x 2.0 x 60
	4	F1900063	Wedge Lock Washer 5/8
	1	S0190225	O-Ring
7	8	2" Split Flange Kit	
	2	H0262200	Split Flange Half 2.00 Code 62
	4	F0120070	Hex Head Capscrew M20 x 2.5 x 70
	4	F1900075	Wedge Lock Washer 3/4
	1	S0190228	O-Ring
8	1	See page 34	Valve Regen
9	1	1110875	Valve Regen Tray
10	2	1109210	Regen Tray Upper Bearing
11	4	F0612055	Socket Head Capscrew M12 x 1.75 x 55
12	5	F0116035	Hex Head Capscrew M16 x 2.00 x 35
13	5	F1900063	Wedge Lock Washer 5/8
14	1	1110880	Hose
15	2	1110881	Hose
16	1	1110879	Hose

* Part numbers are Serial Number specific. For replacement parts call the Genesis Parts Department.

USA
715-395-3488

Europe
+49 83 31 9 25 98 0

ASSEMBLY SWIVEL MANIFOLD



ASSEMBLY SWIVEL MANIFOLD

ITEM	QTY	PART NUMBER	DESCRIPTION
1	1	*	Assembly Swivel Manifold
2	4	F1900075	Wedge Lock Washer ¾
3	4	F0120320	Hex Head Capscrew M20 x 2.5 x 320
4	1	*	Torque Arm Kit

* Part numbers are Serial Number specific.

For replacement parts and seal kit, call the Genesis Parts Department.

The swivel Serial Number, located in one of the three highlighted areas, is required for **any** parts order.

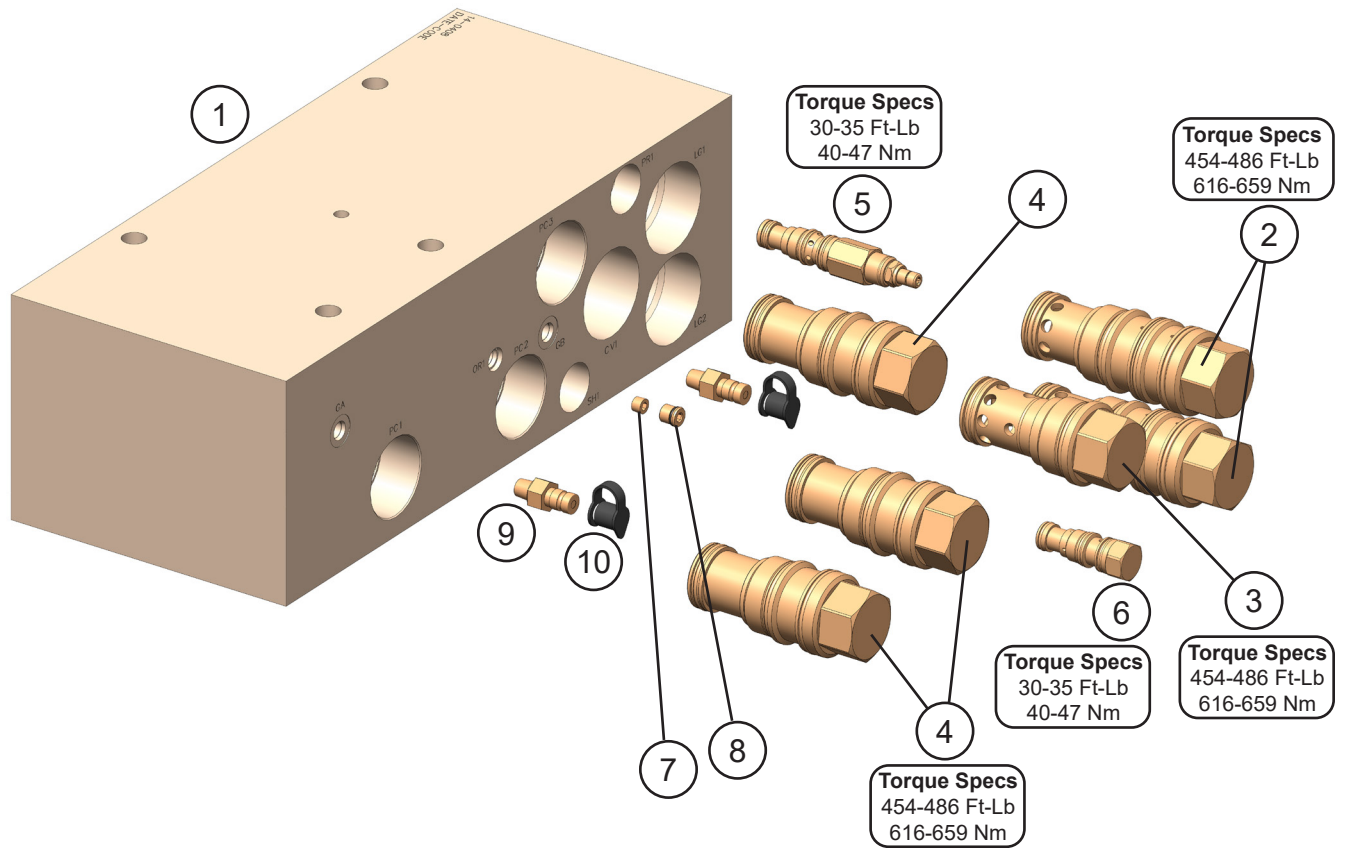
USA

715-395-3488

Europe

+49 83 31 9 25 98 0

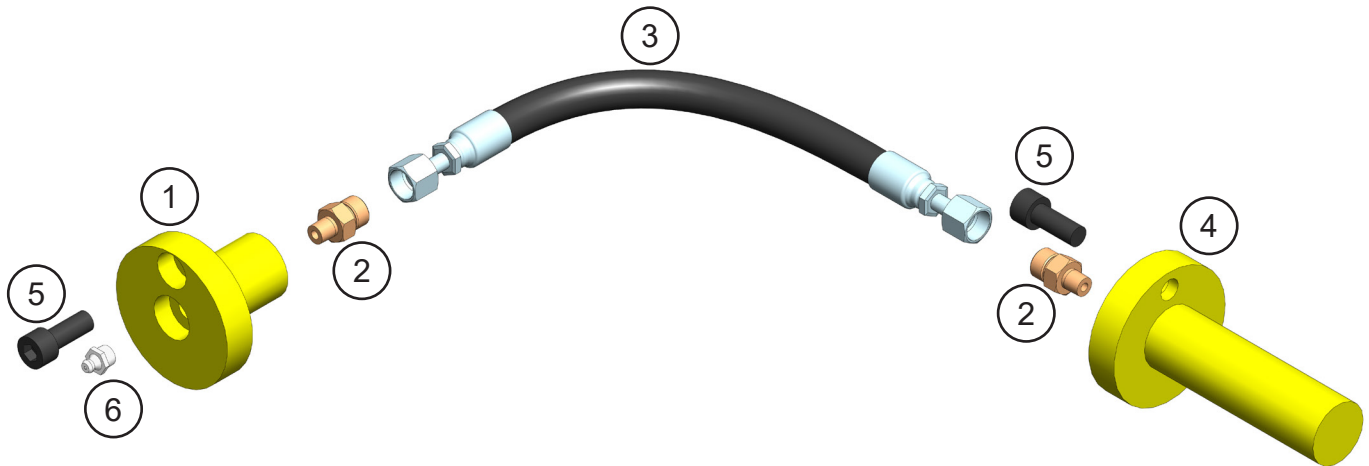
REGEN BLOCK SUB-ASSEMBLY - 6360024



REGEN BLOCK SUB-ASSEMBLY - 6360024

ITEM	QTY	PART NUMBER	DESCRIPTION
1	1	6360024	Valve Regen Seal Kit SK00189
2	2	6300623	Logic Valve Seal Kit 6300624
3	1	6380011	Check Valve Seal Kit SK00023
4	3	6300061	Pilot to Close Check Valve Seal Kit SK00024
5	1	6300625	Pressure Reducing Valve Seal Kit 6300622
6	1	6301200	Shuttle Valve
7	1	6300903	Plug Pipe Orifice 01MP 1/16-27 NPT
8	17	6300075	Plug Socket Head 02MB
9	2	6300088	Diagnostic Nipple
10	2	6310001	Diagnostic Nipple Dust Cap
11	4	6300076	Plug Socket Head 04MB (Not Shown)
12	12	6300078	Plug Socket Head 16MB (Not Shown)

ASSEMBLY SLEWING RING LUBRICATION



ASSEMBLY SLEWING RING LUBRICATION

ITEM	QTY	PART NUMBER	DESCRIPTION
1	1	5512411	Mach Grease Bulkhead Adaptor
2	2	6302679	Adapter 02MP - 06MFS
3	1	1110522	Hose
4	1	5512419	Mach Slewing Ring Grease Adaptor
5	2	F0610035	Socket Head Capscrew M10 x 1.50 x 35
6	1	6200002	Grease Fitting

BOLT TORQUE SPECIFICATIONS

Reference the product Thread Treatment Diagrams on page 39 to determine whether to use wet or dry torque values for specific bolts.

Reference Procedures on page 40 for threadlocker or anti-seize application and bolt and bolt hole cleaning.

Prior to torquing, clean all bolt holes, bolts and nuts to remove dirt, grease and oil, and identify bolt type.

Never re-torque bolts that use Loctite. If a bolt becomes loose or damaged after the initial use when Loctite was applied and the bolt was torqued, the bolt must be replaced.

Never break tightened bolts loose with a torque wrench. Doing so may break the torque wrench or take it out of calibration.

Torque wrenches should be calibrated on an annual basis.

When using a torque multiplier with a torque wrench, incorrect settings will be multiplied by the ratio of the torque wrench.

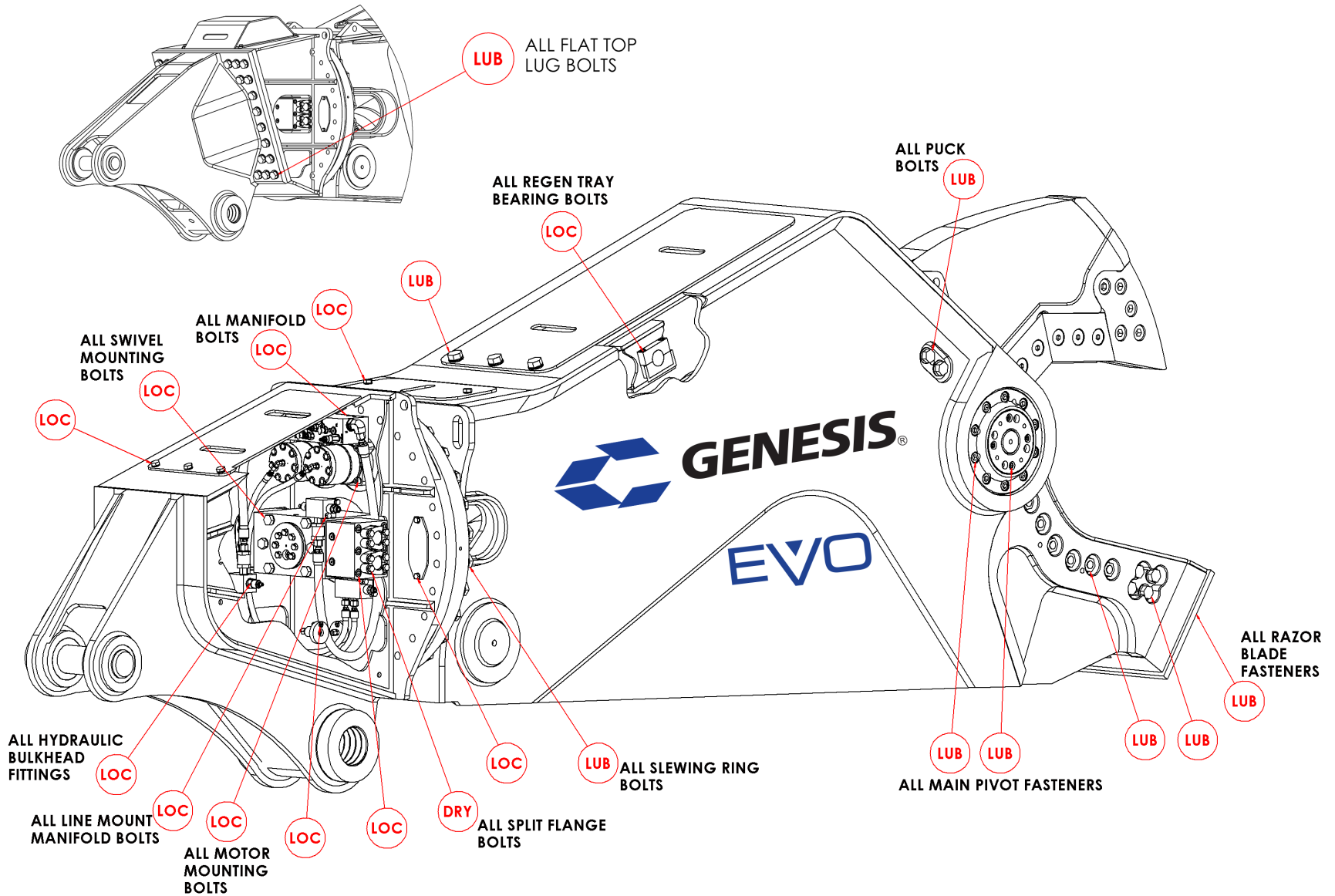
Never use an impact driver on a torque multiplier.

THREAD TREATMENT DIAGRAM

Mobile Shears

Use this diagram to determine what thread treatment, if any, is required for each fastener.

For thread treatment application procedures, see page 40. For prescribed torque values, see page 42.



PROCEDURES

Reference the product Thread Treatment Diagrams on page 39 to determine which of the following procedures is required.

Cleaning

To ensure proper performance of thread treatment and accurate torque values, clean and degrease **all internal and external threads** prior to application of threadlocker, anti-seize or primer and before installation of hardware.

- Ensure both internal and external threads are free of dirt or debris.
- Use brake cleaner or similar cleaning solvent on all threads to remove any grease or oil.
- Allow threads to dry.

NOTICE

Failure to properly clean threads will cause threadlocker, primer, and/or anti-seize to not properly cure!

LOC

Threadlocker

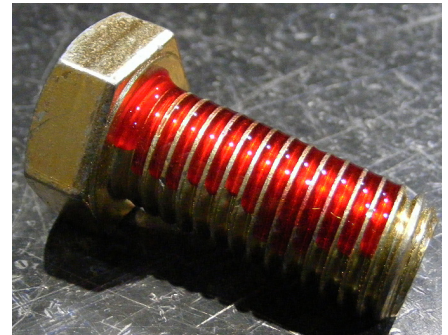
For bolted connections requiring threadlocker, use **Loctite 263** or equivalent applied using the following procedure:

- Clean and degrease all threads.
- For thru holes or nuts, apply threadlocker to bolt threads.
- For blind holes, apply stripe of threadlocker along the length of the hole (applying to the bolt can cause escaping air to remove threadlocker as the bolt is inserted).
- Torque bolt to specified **Wet Torque Value**, see page 42.

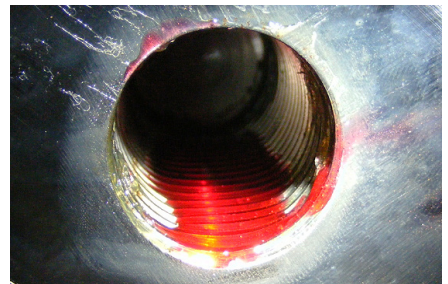
For threaded hydraulic fitting connections, use **Loctite 5452** or equivalent thread sealant in conjunction with **Loctite 7471** primer using the following procedure:

- Clean and degrease all threads.
- Apply Loctite 7471 primer to both external and internal threads and allow to dry.
- Apply threadlocker to 360 degrees of the threads on the male fitting, ensuring adequate coverage.
- Assemble fitting per directions in operator's manual.
- For O-ring boss and flat face O-ring connections, torque fittings to values specified on page 43

Threadlocker



Blind Hole



Hydraulic Fitting



PROCEDURES

LUB

Anti-Seize

For bolted connections requiring anti-seize lubrication, use **Loctite LB8008** or equivalent using the following procedure:

- Clean and degrease all threads.
- Apply thin coat of anti-seize to internal and external threads and under bolt head and/or nut, ensuring complete coverage.
- Torque bolt to specified **Wet Torque Value**, see page 42.

Anti-Seize

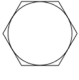
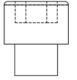
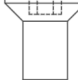


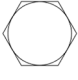
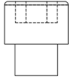
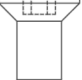
DRY

No Thread Treatment

- Clean and degrease all threads.
- Torque bolt to specified **Dry Torque Value**, see page 42.

BOLT TORQUE SPECIFICATIONS

Dry Torque Values					
		Hex/Socket Head		Flat Head	
					
Fastener Grade	Size x Pitch	Nm	Ft-lb	Nm	Ft-lb
CL 10.9	M8 x 1.25	35	26	27	20
	M10 x 1.50	71	53	58	42
	M12 x 1.75	124	92	101	73
	M14 x 1.50	200	148	163	118
	M14 x 2.00	200	148	163	118
	M16 x 2.00	311	230	254	184
	M20 x 1.50	610	450	498	360
	M20 x 2.50	608	449	497	359
	M24 x 3.00	1054	778	861	622
	M27 x 3.00	1543	1138	1260	910
	M30 x 3.50	2095	1545	1712	1236
	M36 x 4.00	3659	2699	2991	2159
8	1/4-20	14	11	11	8
	5/16-18	32	24	26	19
	3/8-16	59	44	48	35
	7/16-14	94	70	77	56
	1/2-13	143	106	116	84
	1/2-20	162	120	133	96
	5/8-11	287	212	234	169
	3/4-10	509	376	415	300
	7/8-9	821	606	670	484
	1.00-8	1232	909	1007	727
	1.00-14	1383	1020	1130	816
	1.25-7	2463	1817	2013	1453
8/L9	1.50-6	4287	3162	3504	2529

Wet Torque Values					
		Hex/Socket Head		Flat Head	
					
Fastener Grade	Size x Pitch	Nm	Ft-lb	Nm	Ft-lb
CL 10.9	M8 x 1.25	29	22	23	17
	M10 x 1.50	61	45	49	36
	M12 x 1.75	105	78	85	62
	M14 x 1.50	150	111	121	88
	M14 x 2.00	170	126	138	100
	M16 x 2.00	265	196	216	156
	M20 x 1.50	456	337	372	269
	M20 x 2.50	517	382	422	305
	M24 x 3.00	894	660	731	528
	M27 x 3.00	1312	968	1072	774
	M30 x 3.50	1779	1312	1453	1049
	M36 x 4.00	3110	2294	2542	1835
8	1/4-20	13	10	11	8
	5/16-18	27	20	22	16
	3/8-16	50	37	40	29
	7/16-14	80	59	65	47
	1/2-13	122	90	99	72
	1/2-20	138	102	112	81
	5/8-11	244	180	199	144
	3/4-10	433	320	354	256
	7/8-9	698	515	570	412
	1.00-8	1046	772	854	617
	1.00-14	1175	867	960	693
	1.25-7	2095	1545	1712	1236
8/L9	1.50-6	3644	2688	2979	2150

O-RING BOSS & FLAT FACE O-RING TORQUE SPECIFICATIONS

O-Ring Boss Torque Values		
Size Dash	Nm	Ft-lb
-4	22	16
-5	27	20
-6	36	26
-8	83	60
-10	110	80
-12	187	135
-14	249	180
-16	304	220
-20	387	280
-24	498	360

Flat Face O-Ring Torque Values		
Size Dash	Nm	Ft-lb
-4	18	13
-6	30	22
-8	60	44
-10	85	62
-12	121	88
-14	121	88
-16	160	116
-20	213	154
-24	274	198

BOLT DRIVE SPECIFICATIONS

Thread Size x Pitch	Hex Head	Socket Head	Flat Head
			
Wrench/Drive Size			
M8 x 1.25	13mm	6mm	5mm
M10 x 1.50	17mm	8mm	6mm
M12 x 1.75	19mm	10mm	8mm
M14 x 1.50	22mm	12mm	10mm
M14 x 2.00	22mm	12mm	10mm
M16 x 2.00	24mm	14mm	10mm
M20 x 1.50	30mm	17mm	12mm
M20 x 2.50	30mm	17mm	12mm
M24 x 3.00	36mm	19mm	14mm
M27 x 3.00	41mm	19mm	-
M30 x 3.50	46mm	22mm	-
M36 x 4.00	55mm	27mm	-
1/4-20	7/16"	3/16"	5/32"
5/16-18	1/2"	1/4"	3/16"
3/8-16	9/16"	5/16"	7/32"
7/16-14	5/8"	3/8"	1/4"
1/2-13	3/4"	3/8"	5/16"
1/2-20	3/4"	3/8"	5/16"
5/8-11	15/16"	1/2"	3/8"
3/4-10	1-1/8"	5/8"	1/2"
7/8-9	1-5/16"	3/4"	9/16"
1.00-8	1-1/2"	3/4"	5/8"
1.00-14	1-1/2"	3/4"	5/8"
1.25-7	1-7/8"	7/8"	7/8"
1.50-6	2-1/4"	1"	1"

WARRANTY

Claim Procedure

Notify the Genesis Service Department of the potential warranty claim prior to making the repair. Digital pictures are very helpful for diagnosing problems and recommending repairs.

Contact the Genesis Service Department before making alterations, changes or repairs to any component that is going to be considered for warranty. Not doing so will void all Genesis warranty consideration.

The Genesis Service Department will issue an authorization number to track the repair costs, outgoing parts, and/or defective parts returning to the factory.

Replacement parts must be ordered using a purchase order number. Shipping is standard ground. Overnight shipping is available by request, and Genesis will not cover the shipping charge.

When the repair is complete, submit an invoice to the Genesis Service Department within 30 days. Include itemized internal labor reporting, parts lists and invoices for outside contractors. Reference the authorization number on all invoices.

When returning parts for warranty consideration, include a copy of any related Genesis paperwork along with any other necessary documentation to ensure proper processing and credit. The Genesis Service Department will provide the necessary forms.

Your account will be credited when the warranty claim is accepted.

Blade Warranty

Standard warranty on blades will only be considered on the first edge, and wear on the edge must be 1/8" radius or less. Genesis does not warranty cutting blades that are cracked or broken from top to bottom (perpendicular to the long edge of the blade). Genesis also does not cover fasteners, the labor to replace wear components or collateral damage, such as blade seats, from broken blades, the piercing blade tang or adjustment plates.

Please direct any questions to the Genesis Service Department: 715-395-5252

PARTS ORDER POLICY AND PROCEDURE

Parts Orders Should Include

- Purchase order number
- Model and serial number of attachment
- Part number and quantity needed
- Shipping and billing address
- Method of shipment or required delivery date

Placing Orders

Orders may be placed by phone or e-mail. To e-mail an order, use the form on the following page or your purchase order form. Contact information is located at the front of this manual.

Part Numbers

Part numbers are listed in a separate Parts Manual or, if included, the Parts section of this manual. Contact the Genesis Parts Department with questions regarding part numbers, availability and pricing.

Shipping

All orders will be shipped best way surface unless an alternate shipping method is requested. Shipping charges are not included in the purchase price of parts.

Invoices

All invoices are due upon receipt. Any accounts with invoices open beyond 60 days are subject to review and may be placed on C.O.D. status without further notice.

Returns

Many unused Genesis parts may be returned with proper documentation. Return shipping is the responsibility of the purchaser. Credit will be issued upon return, less a 25% restocking fee. Documentation is required for credit of returned parts. Contact the Genesis Service Department at 715-395-5252 for an RGA (Return Goods Authorization) number and form. An RGA must accompany every return. Items shipped without an RGA may be returned to sender.

Warranty Returns

All parts returned to Genesis for warranty consideration must be returned with a completed RGA (Return Goods Authorization) provided by the Genesis Service Department. The form needs to be completed in its entirety, including any additional information requested by the Service Department. Return shipping is the responsibility of the sender and will be credited upon claim approval. A determination to accept or deny the claim will be made based upon the information available to Genesis. Warranty on purchased parts other than wear components is 6 months. Genesis does not cover labor costs to replace purchased parts replaced under warranty. There is no warranty period on wear parts or components.

INDEX

- 1½" Split Flange Kit 31
1101957 Mach Blade Razor 11
1102857 Mach Bolt Socket Head Capscrew 1¼ - 7 x 4½
Custom 13
1105609 Mach Blade Guide 11
1105610 Mach Adj Plate Guide Blade 11
1105611 Mach Adj Plate Guide Blade 11
1105614 Shim Set Guide Blade 11
1106465 Hose 25
1106466 Hose 25
1106478 Shim Set, Auto Guide 15
1106782 Mach Blade Tip Left 13
1106783 Mach Blade Tip Right 13
1107946 Shim Set Blade 11
1107949 Mach Adj Plate Primary 11
1107951 Mach Adj Plate Secondary 11
1107953 Mach Blade 11,13
1109210 Regen Tray Upper Bearing 31
1109468 Mach Tie Rod Nut 7,9
1110522 Hose 37
1110780 Mach End Cap 7,9
1110782 Mach Tie Rod 7
1110783 Mach Pin Rear 17
1110784 Mach Thrust Washer 7,9
1110785 Mach Bearing 7
1110786 Mach Bearing 9
1110787 Mach Bearing Upper Cylinder Connection 17
1110788 Shim Set Thrust Washer 7,9
1110801 Mach Pin Keeper Rear 17
1110866 Plt Rear Cover 19
1110867 Wldt Cover 19
1110875 Valve Regen Tray 31
1110879 Hose 31
1110880 Hose 31
1110881 Hose 31
5500752 Plt Strap 21
5512411 Mach Grease Bulkhead Adaptor 37
5512419 Mach Slewing Ring Grease Adaptor 37
5518785 Plt Bolt Cover 21
6200002 Grease Fitting 7,9,15,17,21,37
6200101 Snap Ring 17
6300014 Diagnostic Nipple 06MB 25,27
6300061 Pilot to Close Check Valve 35
6300075 Plug Socket Head 02MB 35
6300076 Plug Socket Head 04MB 35
6300078 Plug Socket Head 16MB 35
6300088 Diagnostic Nipple 35
6300148 Adaptor 06MO-08MB 25
6300303 Adaptor 08MB-08MO-90 25
6300364 Filter 29
6300407 Adaptor Run Tee 06FOX-06MO-06MO 25
6300512 Adaptor 12MB-08FB 25
6300582 Plug Pipe 04mp 1/4 - 18 NPT 29
6300623 Logic Valve 35
6300625 Pressure Reducing Valve 35
6300719 Valve Line Body 29
6300720 Valve Flow Control 29
6300903 Plug Pipe Orifice 01MP 1/16-27 NPT 35
6301199 Bearing Slewing 23
6301200 Shuttle Valve 35
6302679 Adapter 02MP - 06MFS 37
6310001 Diagnostic Nipple Dust Cap 25,27,35
6310149 Adaptor Bulkhead 06MO-06MO 25
6310186 Adaptor Bulkhead 12MB-12MO 29
6310194 Adaptor 08MB-12MB 29
6360024 Valve Regen 35
6360025 Motor 23,25
6360026 Valve Block 27
6360027 Gear Box - 8 Bolt 23
6360030 Valve Counterbalance 27
6360088 Valve Check 27
6360101 Valve Relief 27
6380011 Check Valve 35
Assembly Access Covers 5,18,19
Assembly Auto Guide 5,14,15
Assembly Cylinder B14.0 R9.0 S32.75 31
Assembly Cylinder Pins 5,16,17
Assembly Lower Blades 5,10,11
Assembly Open and Close Circuit - 6350086 5,30,31
Assembly Pivot Group - Left Side 5,8,9
Assembly Pivot Group - Right Side 5,6,7
Assembly Rotation Circuit - Piston Motor 5,24,25
Assembly Rotation Piston Motor 5,22,23
Assembly Slewing Ring Lubrication 5,36,37
Assembly Swivel Manifold 5,31,32,33
Assembly Upper Blades 5,12,13
Assembly Upper Head 5,20,21
Bolt Drive Specifications 44
Bolt Torque Specifications 38,42
Contact Information 2,50
Cover 21
F0110030 Hex Head Capscrew M10 x 1.50 x 30 21
F0112030 Hex Head Capscrew M12 x 1.75 x 30 21
F0116035 Hex Head Capscrew M16 x 2.0 x 35 31
F0116050 Hex Head Capscrew M16 x 2.0 x 50 19
F0116060 Hex Head Capscrew M16 x 2.00 x 60 31
F0120045 Hex Head Capscrew M20 x 2.50 x 45 17
F0120060 Hex Head Capscrew M20 x 2.5 x 60 23
F0120070 Hex Head Capscrew M20 x 2.5 x 70 31
F0120320 Hex Head Capscrew M20 x 2.5 x 320 33
F0127040 Hex Head Capscrew M27 x 3 x 40 19
F0210200 Hex Head Capscrew 1 - 8 x 2 11
F0210500 Hex Head Capscrew 1 - 8 x 5 11,15
F0210600 Hex Head Capscrew 1 - 8 x 6 11
F0210675 Hex Head Capscrew 1 - 8 x 6.75 15
F0213750 Hex Head Capscrew ¼ - 7 x 7½ 23
F0250150 Hex Head Capscrew ½ - 13 x 1½ 23
F0412030 Flat Head Capscrew M12 x 1.75 x 30 7,9
F0510550 Flat Head Capscrew 1 - 8 x 5½ 13
F0510600 Flat Head Capscrew 1 - 8 x 6 11

INDEX

F0510700 Flat Head Capscrew 1 - 8 x 7	13	Sub-Assembly Line Mount Manifold	5,25,28,29
F0610035 Socket Head Capscrew M10 x 1.50 x 35	37	Sub-Assembly Regen Block	5
F0612030 Socket Head Capscrew M12 x 1.75 x 30	7,9	Sub-Assembly Rotate Cross-over / C'bal	5,26,27
F0612050 Socket Head Capscrew M12 x 1.75 x 50	7,9	Sub-Assembly Rotate Cross-over/C'bal	25
F0612055 Socket Head Capscrew M12 x 1.75 x 55	31	Table of Contents	3
F0620260 Socket Head Capscrew M20 x 2.50 x 260	17	Thread Treatment Diagram	39
F0624100 Socket Head Capscrew M24 x 3.00 x 100	7,9	Torque Arm Kit	33
F0910008 Hex Nut 1 - 8	11,13	Valve Regen	31
F1020250 Nylock Hex Nut M20 x 2.50	17	Warranty	45
F1201021 Flat Washer M10	21	Washer	21
F1300100 Flat Washer Narrow 1"	11,13,15	Wldt Pin	21
F1401200 Lock Washer M12	21	Wtmg Lug Upper Head	5
F1900050 Washer Nord-Lock 1/2 and M12 Steel	23	Wtmg Stick	5
F1900063 Wedge Lock Washer 5/8	19,31	Wtmg Upper	5
F1900075 Wedge Lock Washer 3/4	17,23,31,33		
F1900113 Wedge Lock Washer 1 1/8	19		
F2510100 Set Screw Socket Head 1 - 8 x 1	11		
F2803300 Hytorc Washer	23		
General Arrangement	4,5		
H0262150 Split Flange Half 1.50 Code 62	31		
H0262200 Split Flange Half 2.00 Code 62	31		
Hex Head Capscrew	21,31		
Mach Auto Guide, Blade Side	15		
Mach Auto Guide, Guide Side	15		
Mach Bearing	21		
Mach Boom Bearing	21		
Mach Cylinder Pin End Cap	17		
Mach Front Cylinder Pin	17		
Mach Lug Upper Head	21		
Mach Main Shaft	9		
Mach Port Block	31		
Mach Spacer Sleeve	21		
Mach Sub Head	21		
O-Ring	31		
O-Ring Boss & Flat Face O-Ring Torque Specifications	43		
Parts Order Form	47		
Parts Order Policy and Procedure	46		
Procedures	40,41		
Regen Block Sub-Assembly - 6360024	34,35		
S0170251 O-Ring	7,9		
S0190219 O-Ring	23		
S0190225 O-Ring	31		
S0190228 O-Ring	31		
S0190250 O-Ring	23		
Seal Kit 6300622	35		
Seal Kit 6300624	35		
Seal Kit 6300633	26,27		
Seal Kit SK00023	35		
Seal Kit SK00024	35		
Seal Kit SK00058	26,27		
Seal Kit SK00155	28		
Seal Kit SK00156	26,27		
Seal Kit SK00189	35		



GENESIS®

The Promise of Performance.

CONTACT INFORMATION

Genesis Attachments

1000 Genesis Drive
Superior, WI 54880 USA

Toll Free: 888-SHEAR-IT
(888-743-2748)

Phone: 715.395.5252

E-mail:
info@genesisattachments.com

Europe/Africa/Middle East Genesis GmbH

Teramostrasse 23
87700 Memmingen, Germany

Phone: +49 83 31 9 25 98 0

Fax: +49 83 31 9 25 98 80

genesis-europe.com

E-mail:
info@genesis-europe.com

Asia Pacific Representative Office

24 Upper Serangoon View #12-28
Singapore 534205

Phone: +65 9673 9730

E-mail:
tchoo@genesisattachments.com

Central America & Colombia

Cra 13A #89-38 / Ofi 613
Bogota, Colombia

Phone: +57 1 610 8160 / 795 8747

E-mail:
contact@themsagroup.com

View and download all manuals: genesisattachments.com/manuals
Patents: genesisattachments.com/products/patents

Rev. 3-23-26