

Bucket Screener Oil Change

The oil should be changed for the first time after 150 operating hours and then every 1000 hours or at least every 12 months. These periods may vary due to operating conditions.

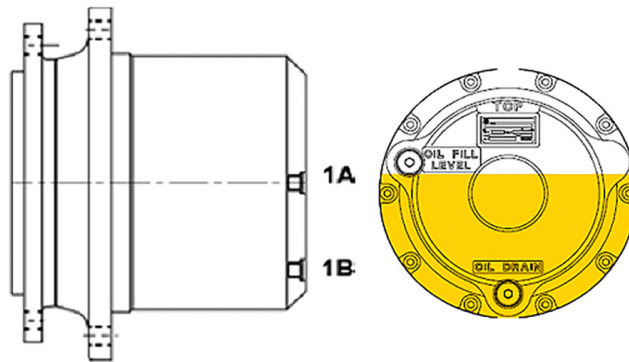
When changing the oil, wash the inside of the casing with a suitable liquid recommended by the lubricant manufacturer. To avoid leaving a sludge deposit, the oil should be changed when the reduction motor is hot. Check the oil level at least monthly. If more than 10% of the oil needs to be added, thoroughly check that the unit is not losing oil. Avoid mixing different types of oil (e.g., oils of the same type but different operation periods, or oils from different manufacturers). Avoid mixing mineral and synthetic oils.

Draining the Oil

- Place a container under the drain plug.
- Unscrew the drain plug and drain all the oil.
- For better drainage, perform the operation with the gear motor still hot.
- Screw the drain plug back on.

Filling

- Unscrew the filler cap.
- Add approximately 2.5 L (84.5 oz) of oil.
- Screw the filler cap back on.



Inspection	Interval	Action
Tightening screws	After the first 50 operating hours of the gearbox	Screw tightening torque check
Oil level	Every 100 operating hours of the gearbox	Refill oil if necessary
First oil change	At 150 operating hours of the gearbox	Oil replacement
Next oil change	Every 1000 operating hours or at least once a year	Oil replacement

This document is a quick reference only. It does not replace the product safety and operator's manuals, which must be followed by all operators and maintenance personnel.