

# Razer Demolition Tool (GDT)

## PARTS MANUAL



## CONTACT INFORMATION

### **World Headquarters Genesis Attachments**

1000 Genesis Drive  
Superior, WI 54880 USA

Toll Free: 888-SHEAR-IT  
(888-743-2748)

Phone: 715.395.5252  
Fax: 715.395.5255

E-mail:  
info@genesisattachments.com

### **Europe/Africa/Middle East Genesis GmbH**

Teramostrasse 23  
87700 Memmingen, Germany

Phone: +49 83 31 9 25 98 0  
Fax: +49 83 31 9 25 98 80  
genesis-europe.com

E-mail:  
info@genesis-europe.com

### **Asia Pacific Representative Office**

24 Upper Serangoon View #12-28  
Singapore 534205

Phone: +65 9673 9730

E-mail:  
tchoo@genesisattachments.com

### **Central & South America, The Caribbean**

Cra 13A #89-38 / Ofi 613  
Bogota, Colombia

Phone: +57 1 610 8160 / 795 8747

E-mail:  
contact@themsagroup.com

### **Brazil**

Avenida Araça, 1677  
Campinas - São Paulo

Phone: +55 19 9 9989-8803

E-mail:  
gel@themsagroup.com

View and download all manuals at [genesisattachments.com/manuals.asp](http://genesisattachments.com/manuals.asp)  
Patents: [genesisattachments.com/patents](http://genesisattachments.com/patents)

## TABLE OF CONTENTS

CONTACT INFORMATION.....	2
GENERAL ARRANGEMENT.....	4
ASSEMBLY PIVOT GROUP.....	6
ASSEMBLY BLADE KIT.....	8
ASSEMBLY CYLINDER PINS.....	10
ASSEMBLY LUGS.....	12
ASSEMBLY CYLINDER.....	14
GDT 190 & 290 REGEN BLOCK SUB-ASSEMBLY 6360004.....	16
GDT 390 REGEN BLOCK SUB-ASSEMBLY 6300763.....	18
ACCESS COVERS.....	20
GDT 190 & 290 ASSEMBLY SUB-HEAD.....	22
GDT 390 ASSEMBLY SUB-HEAD.....	24
SUB-ASSEMBLY LINE MOUNT MANIFOLD.....	26
GDT 190 & 290 ASSEMBLY SWIVEL MANIFOLD - 6350029.....	28
GDT 390 ASSEMBLY SWIVEL MANIFOLD - 6350127.....	30
GDT 190 & 290 ASSEMBLY SWIVEL MANIFOLD SEALS.....	32
GDT 390 ASSEMBLY SWIVEL MANIFOLD SEALS.....	34
SPLIT FLANGE KITS USED IN THIS MANUAL.....	36
BOLT TORQUE SPECIFICATIONS.....	37
WARRANTY.....	38
PARTS ORDER POLICY AND PROCEDURE.....	39
PARTS ORDER FORM.....	40
INDEX.....	41
CONTACT INFORMATION.....	44

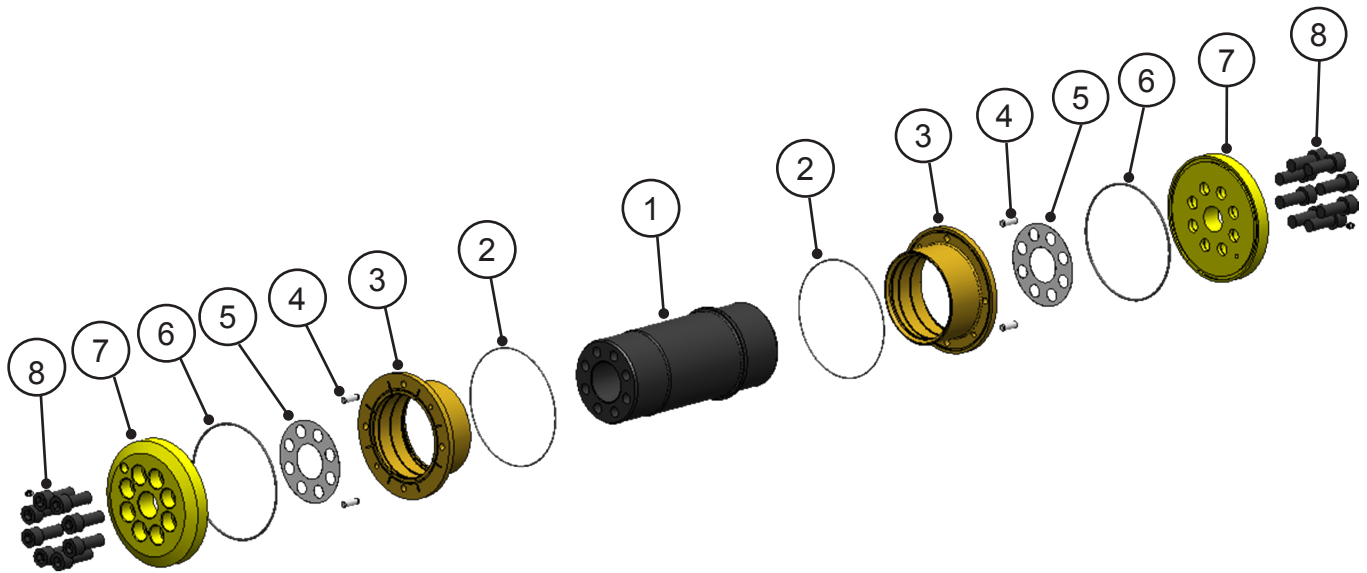
# GENERAL ARRANGEMENT



## GENERAL ARRANGEMENT

ITEM	QTY	PART NUMBER			DESCRIPTION		
		GDT 190	GDT 290	GDT 390			
1	1	3502112	3501976	3502259	Wtmg Stick		
2	1	3502105	3501980	3502250	Wtmg Upper		
3		See page 20	See page 20	See page 24	Assembly Sub-Head		
4		*	*	*	Assembly Lugs		
5		See page 10	See page 10	See page 10	Assembly Cylinder Pins		
6		See page 6	See page 6	See page 6	Assembly Pivot Group		
7		See page 8	See page 8	See page 8	Assembly Blade Kit		
<p>* Part Number is Serial Number specific. Contact the Genesis Parts or Service Department.</p> <table style="width: 100%; border: none;"> <tr> <td style="text-align: center; width: 50%; vertical-align: top;"> <p><b>USA</b> 715-395-5614 715-395-3405</p> </td> <td style="text-align: center; width: 50%; vertical-align: top;"> <p><b>Europe</b> +49 83 31 9 25 98 0</p> </td> </tr> </table>						<p><b>USA</b> 715-395-5614 715-395-3405</p>	<p><b>Europe</b> +49 83 31 9 25 98 0</p>
<p><b>USA</b> 715-395-5614 715-395-3405</p>	<p><b>Europe</b> +49 83 31 9 25 98 0</p>						

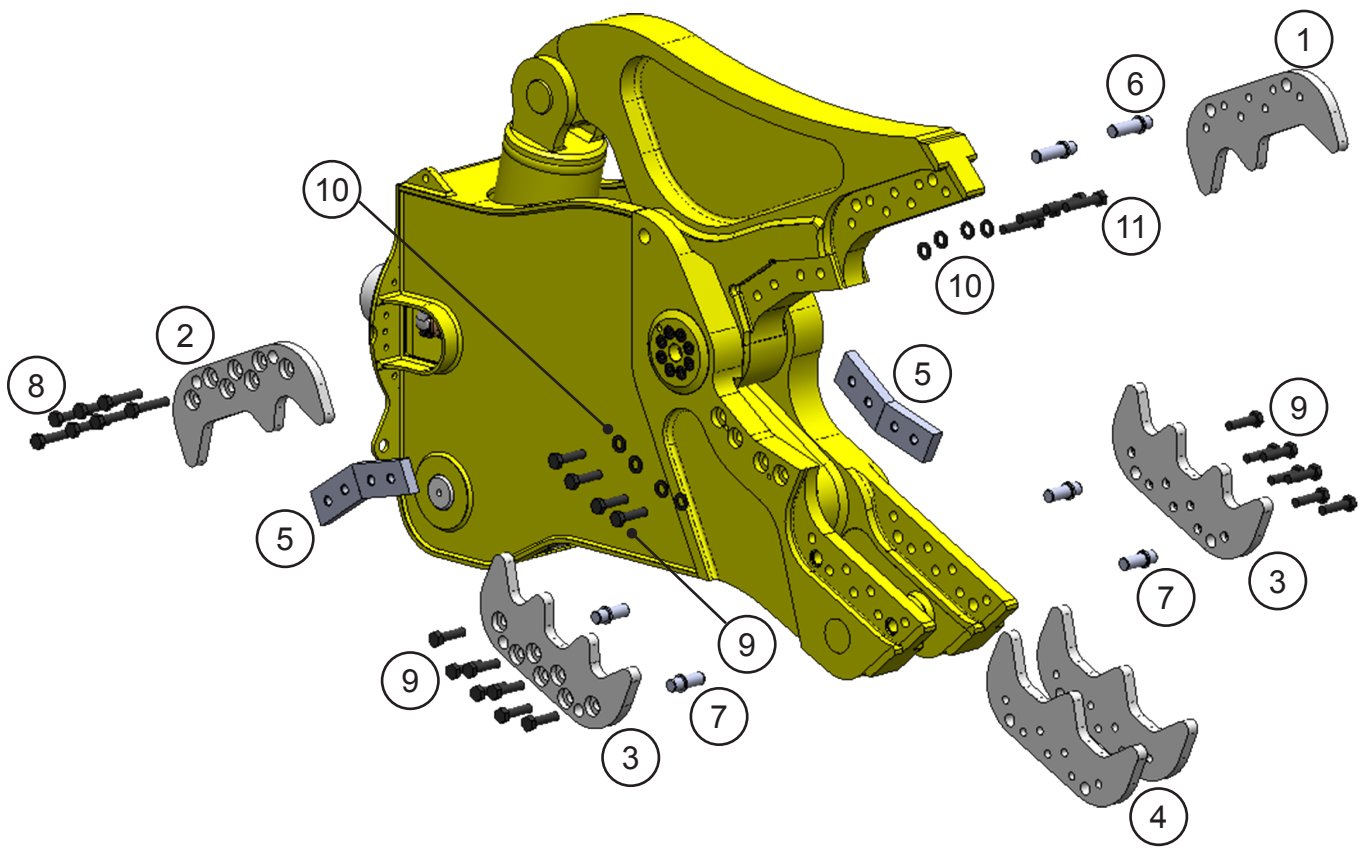
# ASSEMBLY PIVOT GROUP



## ASSEMBLY PIVOT GROUP

ITEM	QTY	PART NUMBER			DESCRIPTION
		GDT 190	GDT 290	GDT 390	
1	1	3502113	3501990	3502284	Mach Main Shaft
2	2	S0190270	S0190270	S0190274	O-Ring
3	2	3501100	3501100	3501760	Mach Bearing
4	4	6300134	6300134	6300134	Mach Dowel
5	2	3500360	3500360	3501761	Shim Set
6	2	S0190372	S0190372	S0190376	O-Ring
7	2	3501099	3501099	3501812	Mach End Cap
8	16	F0624060	F0624060	F0624060	Socket Head Capscrew
9	2	6200002	6200002	6200002	Grease Fitting

# ASSEMBLY BLADE KIT

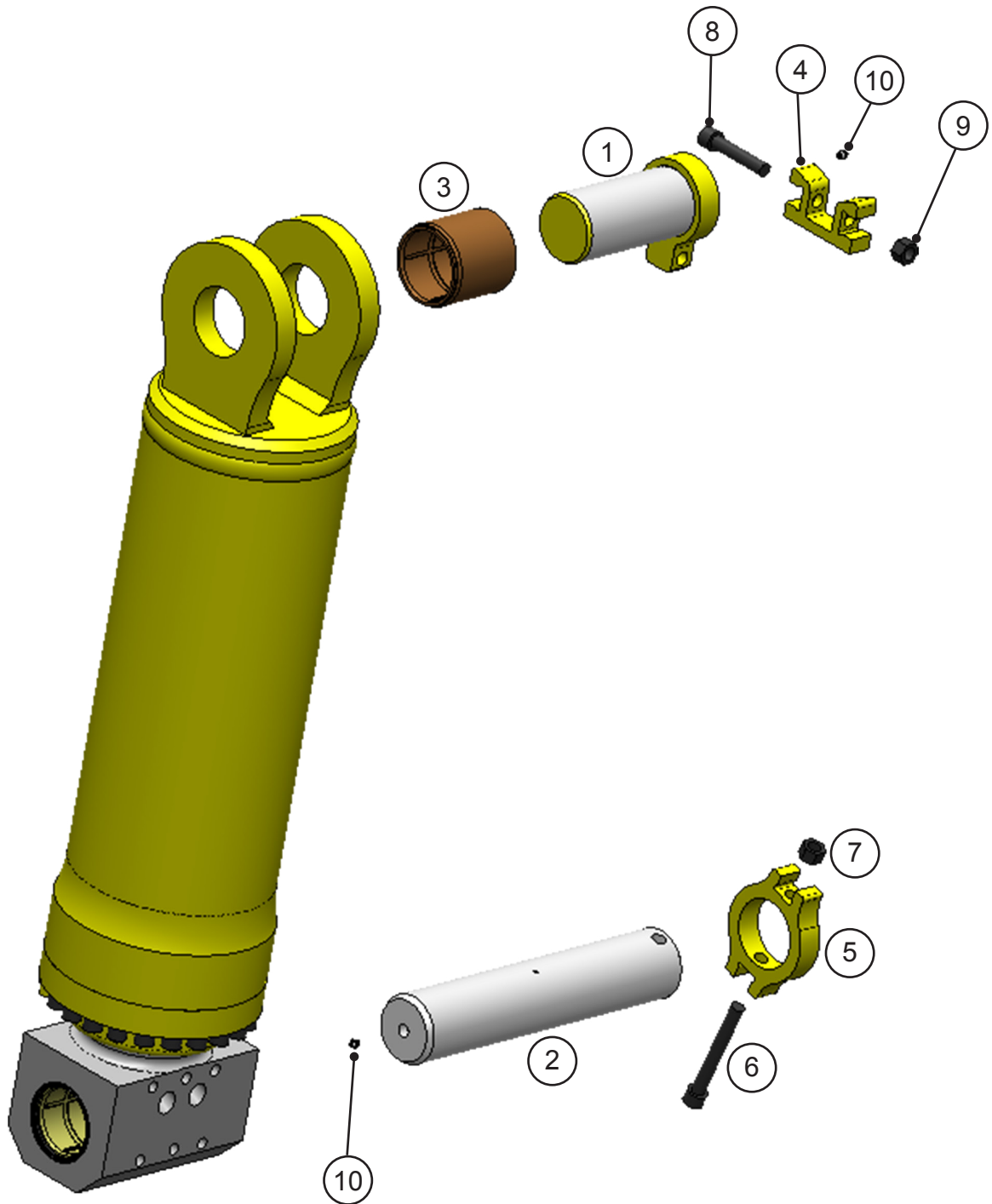




## ASSEMBLY BLADE KIT

ITEM	QTY	PART NUMBER			DESCRIPTION
		GDT 190	GDT 290	GDT 390	
1	1	3502158	3502088	3502293	Mach Tooth Upper LH
2	1	3502156	3502086	3502291	Mach Tooth Upper RH
3	2	3502154	3502094	3502297	Mach Tooth Lower Outside
4	2	3502152	3502090	3502295	Mach Tooth Lower Inside
5	4	3502149	3502013	3502299	Mach Blade
6	2	3502121	3502101	3502287	Mach Pin Teeth Upper
7	4	3502122	3502102	3502288	Mach Pin Teeth Lower
8	7	F0124130	F0127130	F0127130	Hex Head Capscrew
9	18	F0124100	F0127100	F0127120	Hex Head Capscrew
10	8	F1202444	F1202750	F1202750	Washer
11	4	F0124130	F0127130	F0127160	Hex Head Capscrew

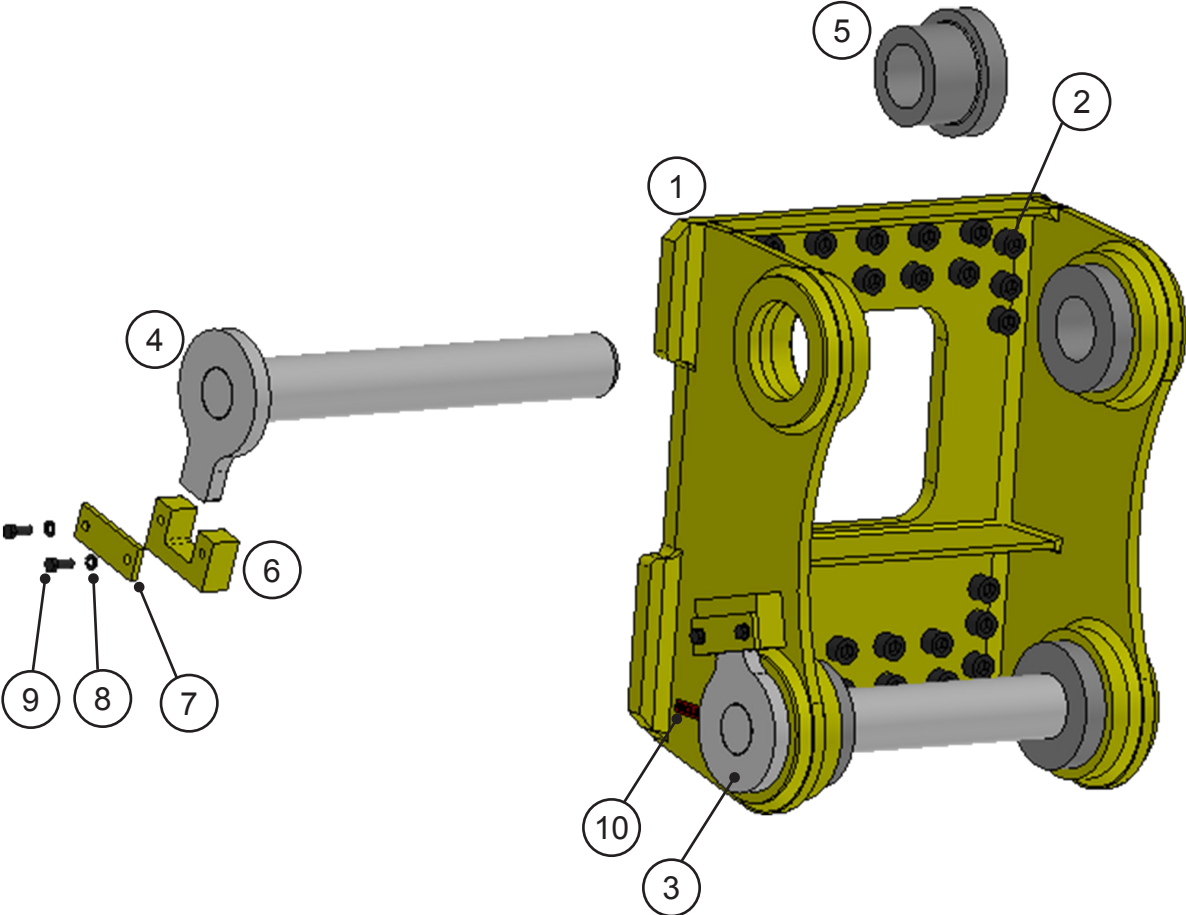
# ASSEMBLY CYLINDER PINS



## ASSEMBLY CYLINDER PINS

ITEM	QTY	PART NUMBER			DESCRIPTION
		GDT 190	GDT 290	GDT 390	
1	1	3502115	3501988	3500637	Wldt Upper Cyl Pin
2	1	3502117	3501987	3502285	Mach Pin Rear Cyl Pin
3	1	3502114	3501986	3100133	Mach Upper Cyl Bearing
4	1	3501246	3500350	3500350	Mach Pin Keeper
5	1	3500831	3500309	1103607	Mach Pin Keeper
6	1	F0616150	F0620160	F0620180	Socket Head Capscrew
7	1	F1016200	F1020250	F1020250	Nylock Hex Nut
8	1	F0612070	F0620100	F0620100	Socket Head Capscrew
9	1	F1012175	F1020250	F1020250	Nylock Hex Nut
10	2	6200002	6200002	6200002	Grease Fitting

# ASSEMBLY LUGS



## ASSEMBLY LUGS

ITEM	QTY	PART NUMBER	DESCRIPTION
		<b>GDT 190 - 390</b>	
1	1	**	Wtmg Lugs
2	*	**	Bracket Fasteners
3	1	**	Wldt Stick Pin
4	1	**	Wldt Link Pin
5	*	**	Mach Spacer Sleeve
6	2	**	Mach Pin Keeper
7	2	**	Bar Strap
8	4	**	Washer
9	4	**	Hex Head Capscrew
10	1	**	Stick Pin Decal

\* Quantity is dependent upon the bracket.

\*\* Part Number is Serial Number specific. Contact the Genesis Parts or Service Department.

**USA**

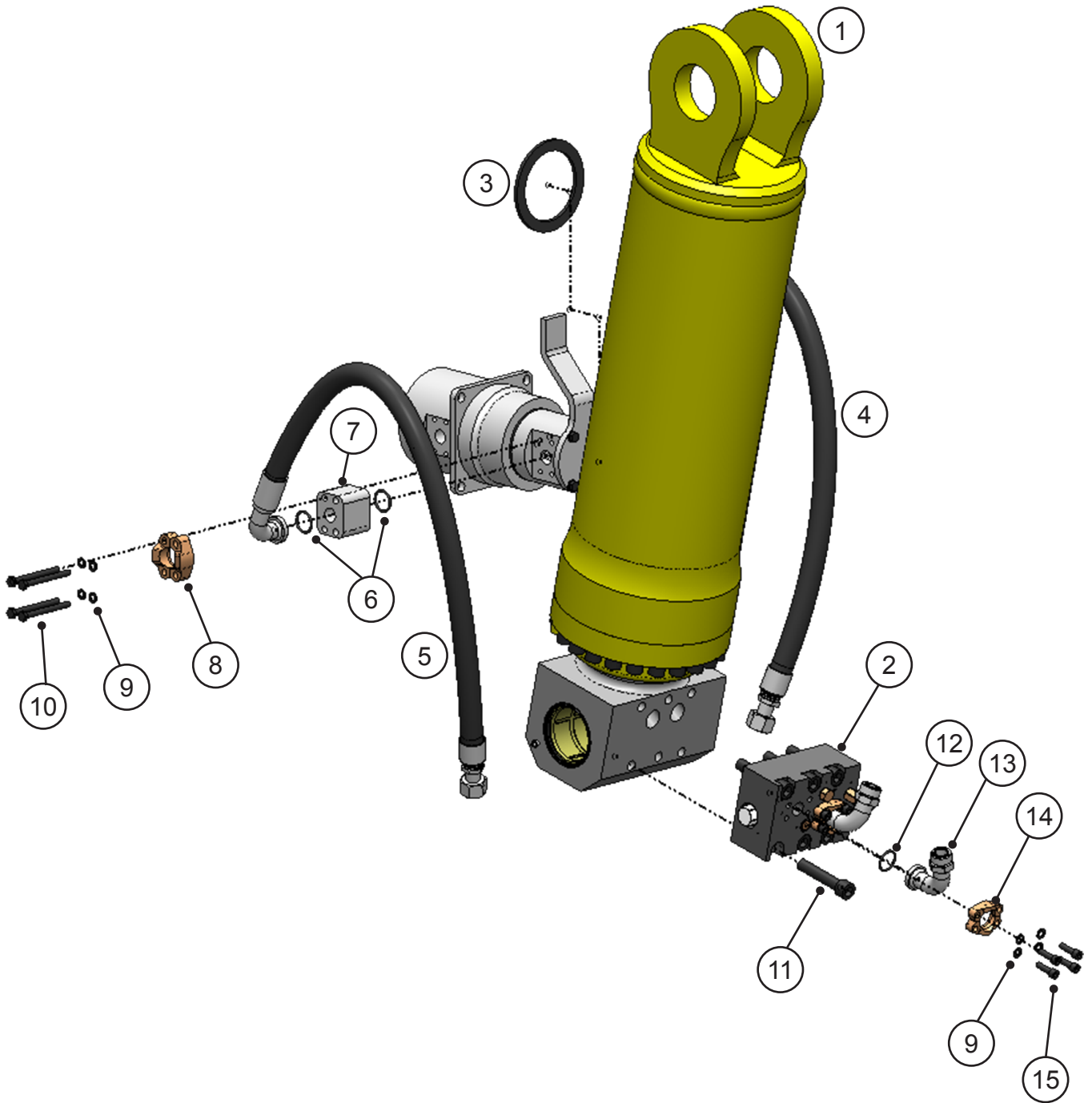
715-395-5614

715-395-3405

**Europe**

+49 83 31 9 25 98 0

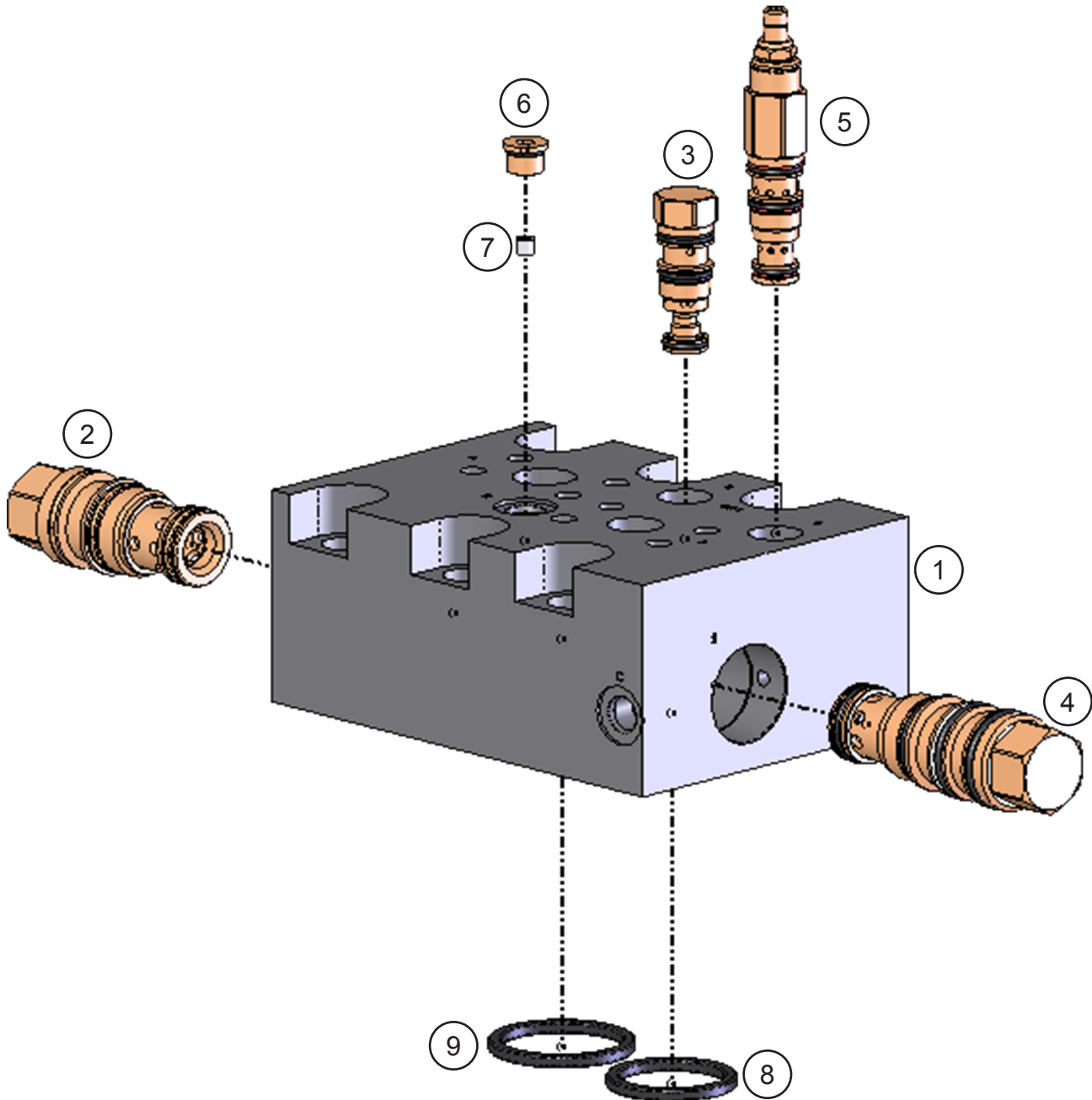
# ASSEMBLY CYLINDER



## ASSEMBLY CYLINDER

ITEM	QTY	PART NUMBER			DESCRIPTION
		GDT 190	GDT 290	GDT 390	
1	1	6350114	6350102	6350126	Hydraulic Cylinder
	1	SK00044	SK00040	SK00197	Cylinder Seal Kit
2	1	6360004	6360004	6300763	Valve - GenFlow
3	1	3501997	3501997	3501997	Swivel Gasket
4	1	3502120	3502103	3502290	Assy Hose L
5	1	3502119	3501995	3502284	Assy Hose R
6	4	S0190219	S0190219	S0190219	O-Ring
7	2	6310199	6310191	6310191	Mach Port Spacer
8	4	H0262100	H0262100	H0262100	Split Flange Half 1.00 Code 62
9	16	F1401000	F1401000	F1401000	Lock Washer M10
10	8	F0110110	F0110110	F0110110	Hex Head Capscrew
11	6	F0620100	F0620100	F0620100	Socket Head Capscrew
12	2	S0190219	S0190219	S0190219	O-Ring
13	2	6310004	6310004	6310004	Adapter
14	4	H0261100	H0261100	H0261100	Split Flange Half 1.00 Code 61
15	8	F0610035	F0610035	F0610035	Socket Head Capscrew

# GDT 190 & 290 REGEN BLOCK SUB-ASSEMBLY 6360004

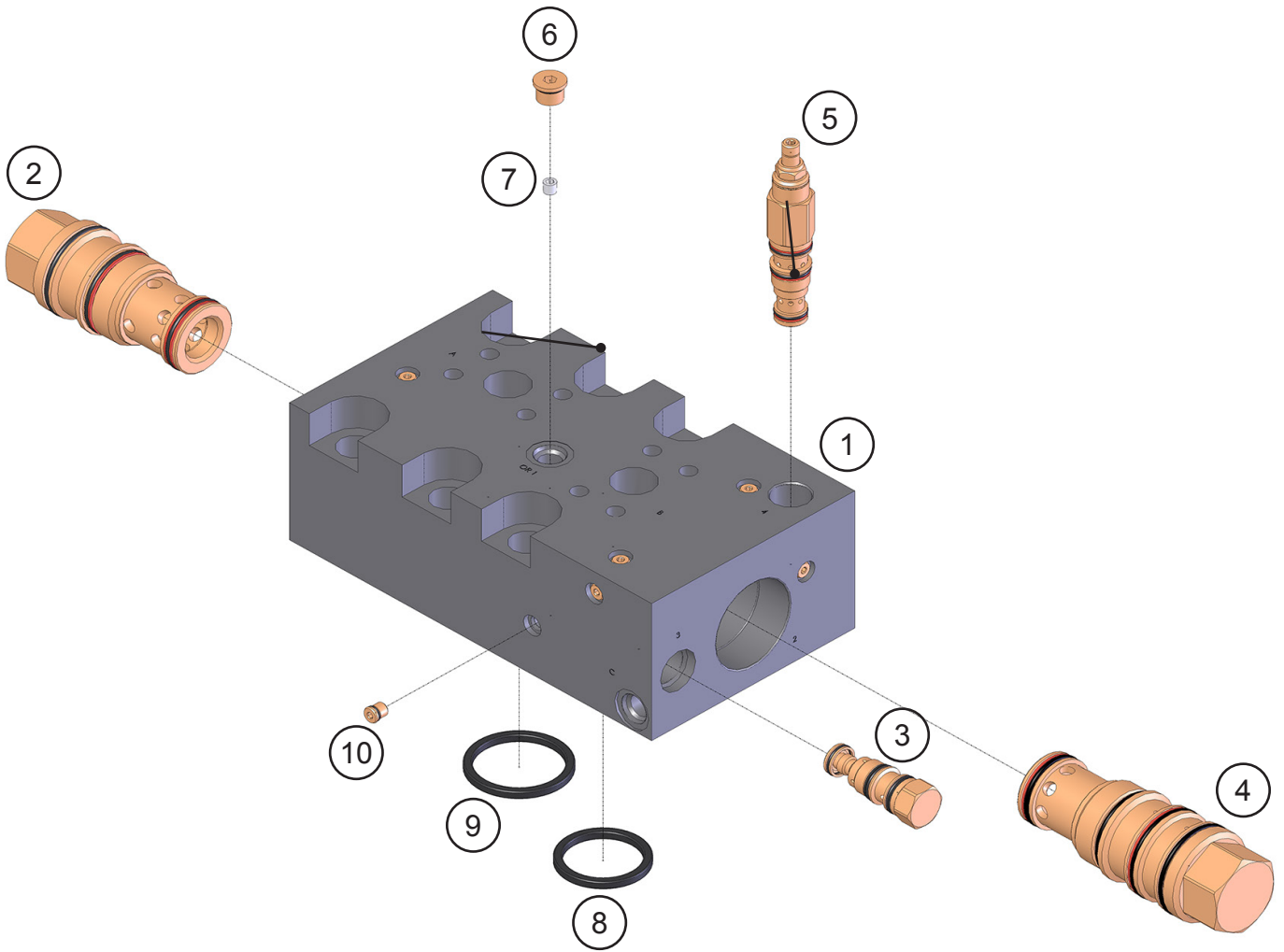




## GDT 190 & 290 REGEN BLOCK SUB-ASSEMBLY 6360004

ITEM	QTY	PART NUMBER	DESCRIPTION
1	1	6380037	Mach Regen Manifold <b>Seal Kit SK00043</b>
2	1	6380039	Valve Check COHA-XCV <b>Seal Kit SK00026</b>
3	1	6300621	Valve Shuttle CSAB-XXV <b>Seal Kit 6300622</b>
4	1	6380038	Valve Logic DKHS-XHV <b>Seal Kit SK00026</b>
5	1	6300625	Valve PSI Reducer PRDB-LWV <b>Seal Kit 6300622</b>
6	1	6300153	Plug Socket Head 06MB
7	1	3500023	Mach Orifice
8	1	6300638	O-Ring 1p-3705 High PSI Seal 2.0 OD
9	1	6300723	O-Ring 1p-3705 High PSI Seal 2.25 OD

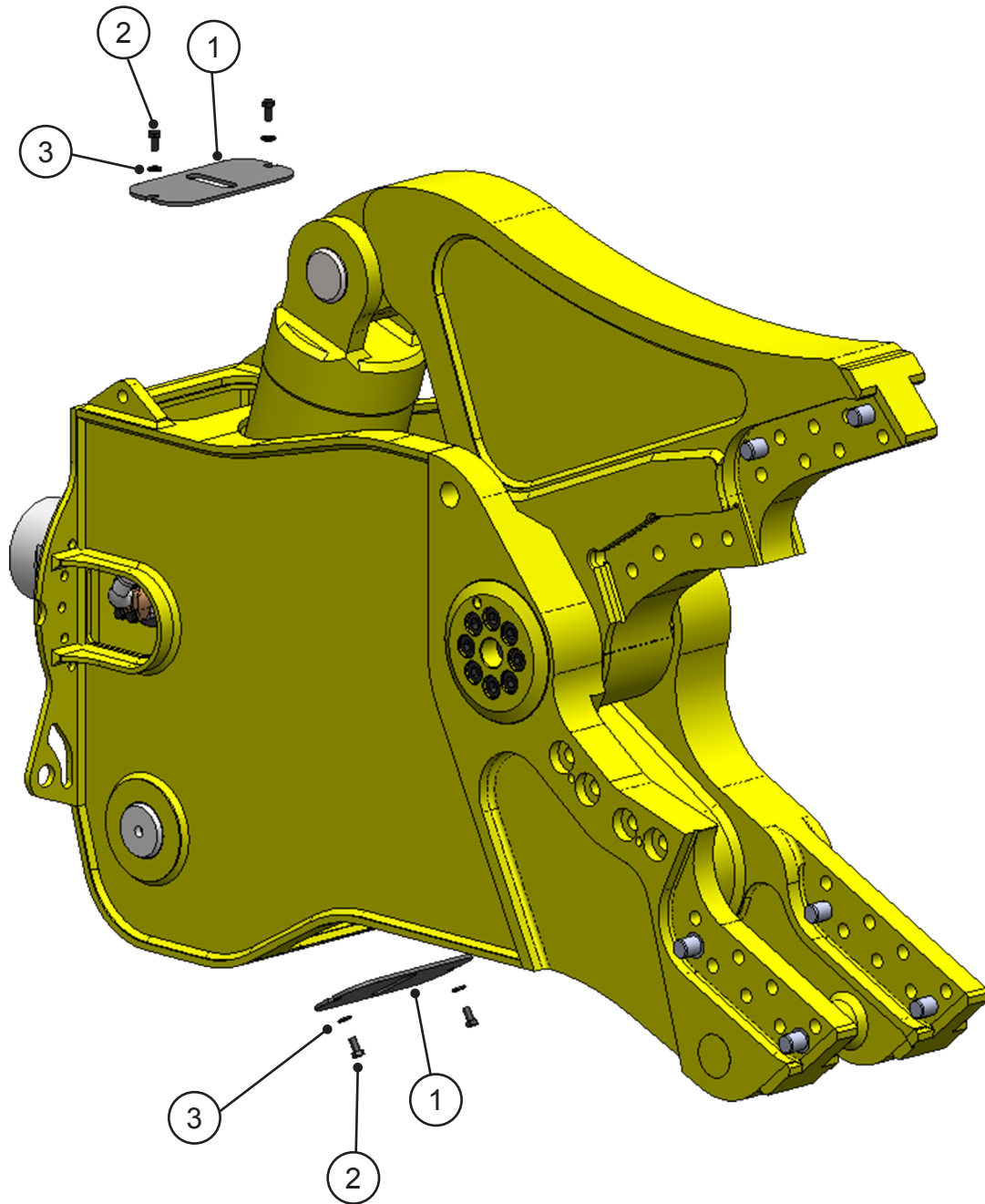
# GDT 390 REGEN BLOCK SUB-ASSEMBLY 6300763



## GDT 390 REGEN BLOCK SUB-ASSEMBLY 6300763

ITEM	QTY	PART NUMBER	DESCRIPTION
1	1	6300796	Mach Regen Manifold <b>Seal Kit SK00047</b>
2	1	6300061	Valve Check COHA-XCV <b>Seal Kit SK00024</b>
3	1	6300621	Valve Shuttle CSAB-XXV <b>Seal Kit 6300622</b>
4	1	6300623	Valve Logic DKHS-XHV <b>Seal Kit 6300624</b>
5	1	6300625	Valve PSI Reducer PRDB-LWV <b>Seal Kit 6300622</b>
6	1	6300153	Plug Socket Head 06MB
7	1	3500023	Mach Orifice
8	1	6300638	O-Ring 1p-3705 High PSI Seal 2.0 OD
9	1	6300723	O-Ring 1p-3705 High PSI Seal 2.25 OD
10	1	6300763	Plug Socket Head 02MB

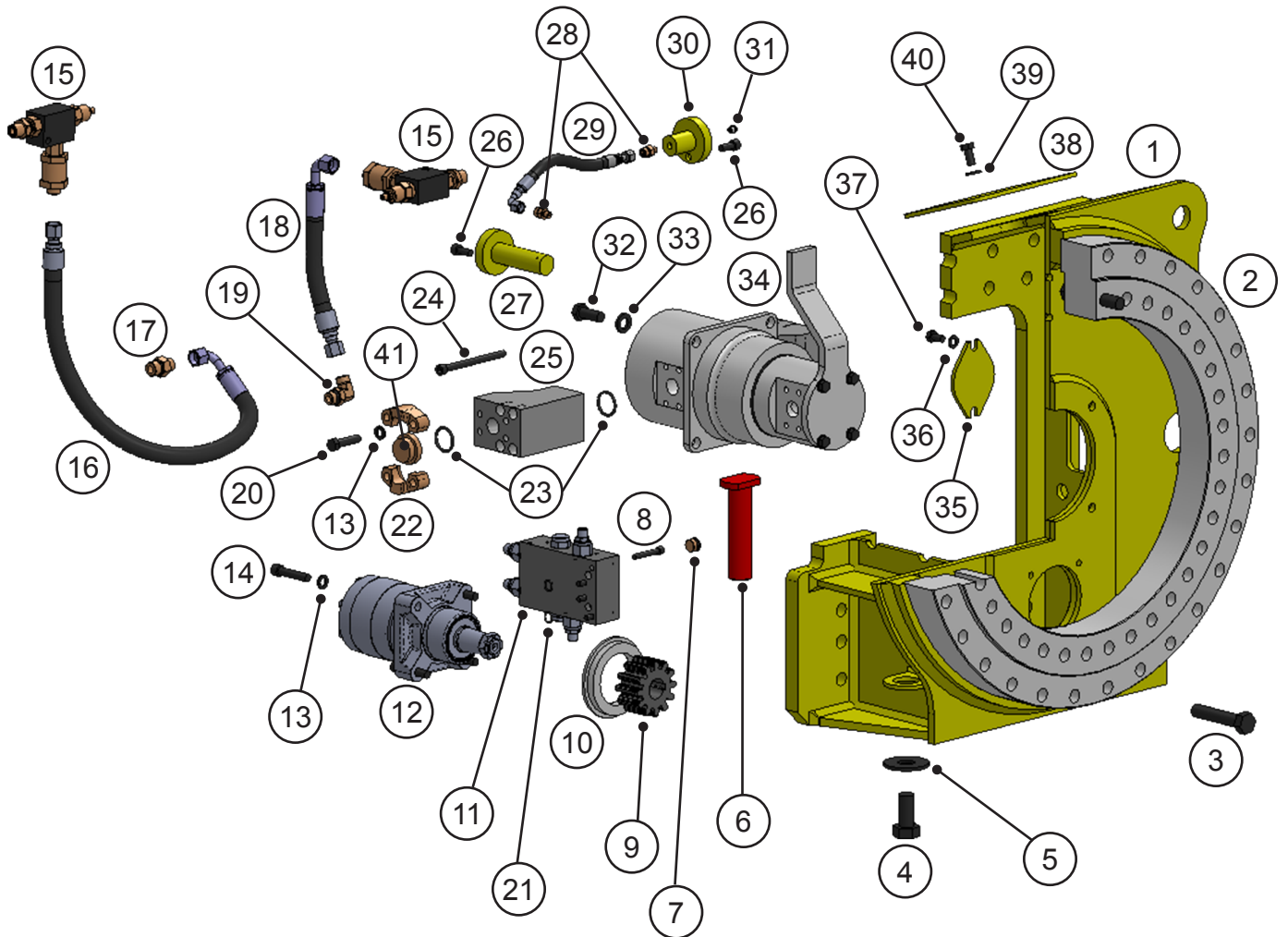
# ACCESS COVERS



## ACCESS COVERS

ITEM	QTY	PART NUMBER	QTY	PART NUMBER	QTY	PART NUMBER	DESCRIPTION
		<b>GDT 190</b>		<b>GDT 290</b>		<b>GDT 390</b>	
1	2	3502118	1	3501994	2	3502286	Plt Cover
2	4	F0112025	2	F0112020	4	F0112025	Hex Head Capscrew
3	4	F1201224	2	F1201224	4	F1201224	Flat Washer

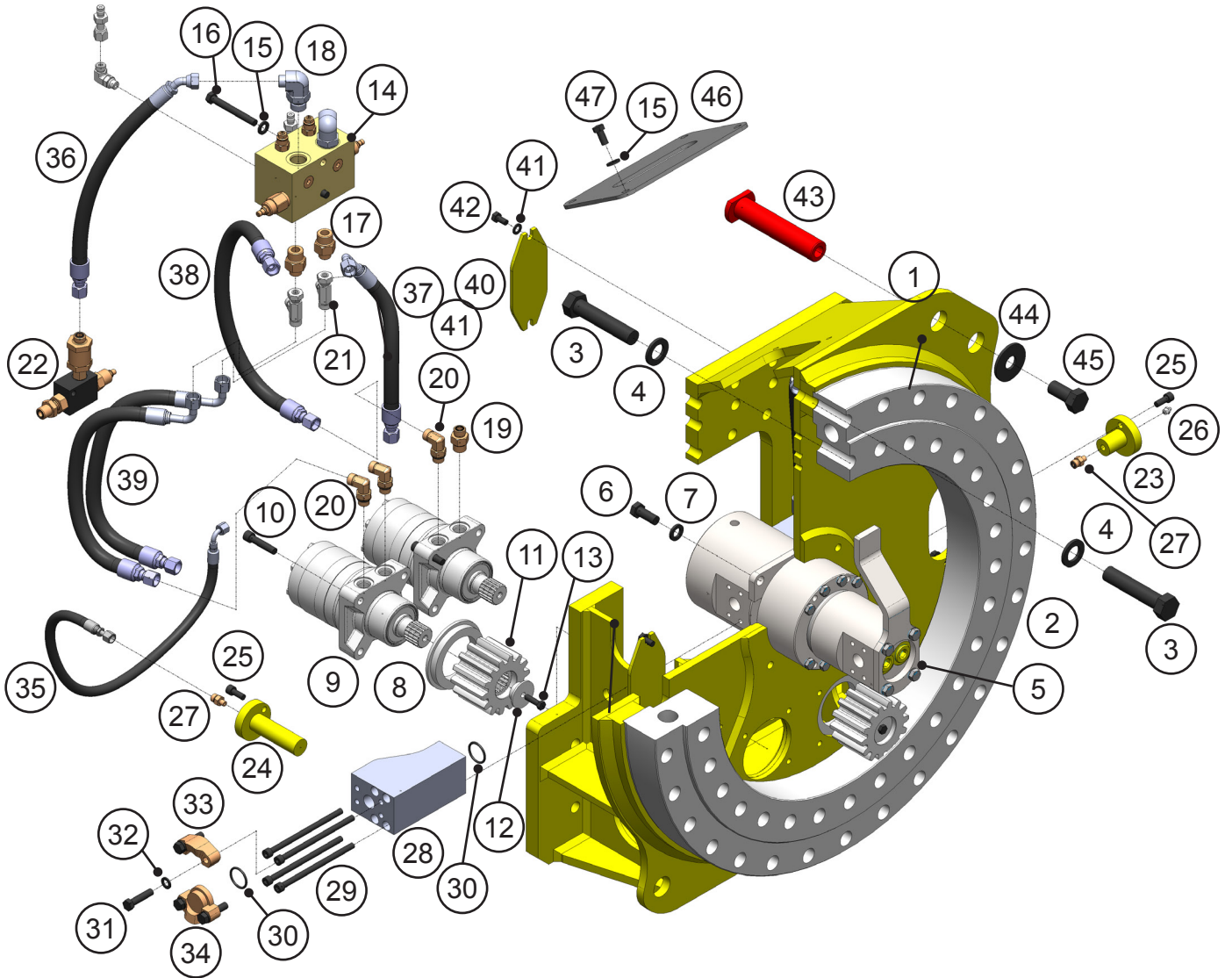
# GDT 190 & 290 ASSEMBLY SUB-HEAD



## GDT 190 & 290 ASSEMBLY SUB-HEAD

ITEM	QTY	PART NUMBER	QTY	PART NUMBER	DESCRIPTION
		GDT 190		GDT 290	
1	1	3502161	1	3502178	Wtmg Sub-Head
2	1	6100397	1	6100092	Slewing Ring
3	56	F0120090	66	F0120100	Hex Head Capscrew
4	1	F0124050	1	F0124050	Hex Head Capscrew
5	1	2200232	1	2200232	Flat Washer
6	1	3502189	1	3502026	Mach Pin, Rotation Lock
7	1	6300054	1	6300054	Plug Socket Head
8	4	F0731200	4	F0731200	Socket Head Capscrew
9	1	3502192	1	3502192	Pinion Motor
10	1	3501835	1	3501835	Mach Spacer
11	1	6360023	1	6360023	Valve Rotate Cross-over / C'bal
12	1	6380083	1	6380083	Motor
13	12	F1401200	12	F1401200	Lock Washer M12
14	4	F0612060	4	F0612060	Socket Head Capscrew
15	2	6301202	2	6301202	Flow Control Sub-Assembly
16	1	3502187	1	3502184	Assy Hose Rotate Long
17	1	6300149	1	6300149	Adapter 10MB-8MO
18	1	3502186	1	3502185	Assy Hose Rotate Short
19	1	6300305	1	6300305	Adapter 10MB-8MO-90
20	8	F0112050	8	F0112050	Hex Head Capscrew M12 x 1.75 x 50
21	2	S0190015	2	S0190015	O-Ring
22	4	H0262100	4	H0262100	Split Flange Half 1.00 Code 62
23	4	S0190219	4	S0190219	O-Ring
24	8	F0610130	8	F0610130	Socket Head Capscrew
25	2	3502028	2	3502028	Mach Port Block
26	2	F0610025	2	F0610025	Socket Head Capscrew
27	1	5512419	1	5512419	Mach Slewing Ring Grease Adapter
28	2	6300731	2	6300731	Adapter 02MP-04MO
29	1	3502188	1	3502034	Assy Hose Grease
30	1	5512411	1	5512411	Mach Grease Bulkhead Adapter
31	1	6200002	1	6200002	Grease Fitting
32	4	F0116040	4	F0116040	Hex Head Capscrew
33	4	F1201630	4	F1201630	Flat Washer
34	1	6350029	1	6350029	Assy Swivel
35	2	3502191	2	1100319	Plt Cover
36	4	F1201021	4	F1201021	Flat Washer
37	4	F0110020	4	F0110020	Hex Head Capscrew
38	1	3502190	1	3502027	Plt Cover
39	4	F1201224	4	F1201224	Flat Washer
40	4	F0112025	4	F0112025	Hex Head Capscrew
41	2	H0362100	2	H0362100	Split Flange Plug

# GDT 390 ASSEMBLY SUB-HEAD



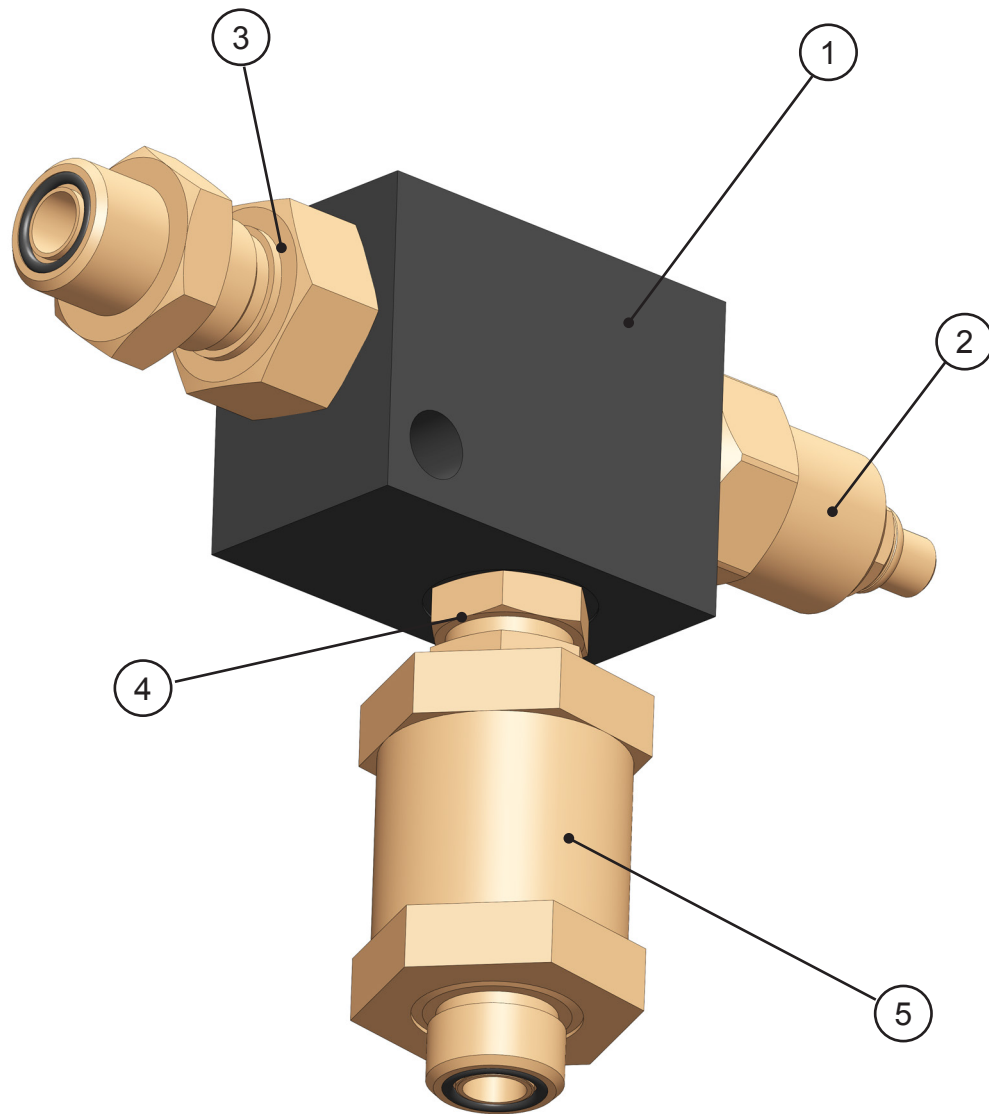


## GDT 390 ASSEMBLY SUB-HEAD

ITEM	QTY	PART NUMBER	DESCRIPTION
1	1	3502302	Wtmg Sub-Head
2	1	6300429	Slewing Ring
3	60	F0127130	Hex Head Capscrew
4	60	F1202750	Flat Washer
5	1	6350127	Swivel Manifold Assembly
6	4	F0116040	Hex Head Capscrew
7	4	F1201630	Flat Washer
8	2	3501835	Mach Spacer
9	2	6380084	Motor
10	8	F0612055	Socket Head Capscrew
11	2	3101224	Motor Spline Shaft
12	2	3501836	Mach Washer
13	2	F0238125	Hex Head Capscrew
14	1	6360010	Valve Rotate Cross-over / C'bal
15	6	F1201224	Flat Washer
16	2	F0112100	Hex Head Capscrew
17	2	6300052	Adapter 12MB-08MO
18	2	6310082	Adapter 12MB-08MO-90
19	1	6300149	Adapter 10MB-08MO
20	3	6300305	Adapter 10MB-08MFFOR-90
21	2	6300406	Adapter Run Tee 08FOX-08MO-08MO
22	2	6301202	Flow Control Sub-Assembly
23	1	5512411	Mach Grease Bulkhead Adapter
24	1	5512419	Mach Slewing Ring Grease Adapter
25	2	F0610025	Socket Head Capscrew
26	1	6200002	Grease Fitting
27	2	6300731	Adapter 02MP-04MO
28	2	3502315	Mach Port Block
29	8	F0610170	Socket Head Capscrew
30	4	S0190219	O-Ring
31	8	F0112050	Hex Head Capscrew
32	8	F1401200	Lock Washer
33	4	H0262100	Split Flange Half 1.00 Code 62
34	2	H0362100	Split Flange Plug 1.00 Code 62
35	1	3502313	Assembly Hose Grease
36	2	3502314	Assembly Hose Flow Control
37	1	3502317	Assembly Hose Motor

ITEM	QTY	PART NUMBER	DESCRIPTION
38	1	3502318	Assembly Hose Motor
39	2	3502319	Assembly Hose Motor
40	2	1105883	Plt Bolt Cover
41	4	F1201021	Flat Washer
42	4	F0110020	Hex Head Capscrew
43	1	3501915	Mach Pin
44	1	2200232	Mach Washer
45	1	F0124050	Hex Head Capscrew
46	1	3502320	Plt Cover
47	4	F0112025	Hex Head Capscrew

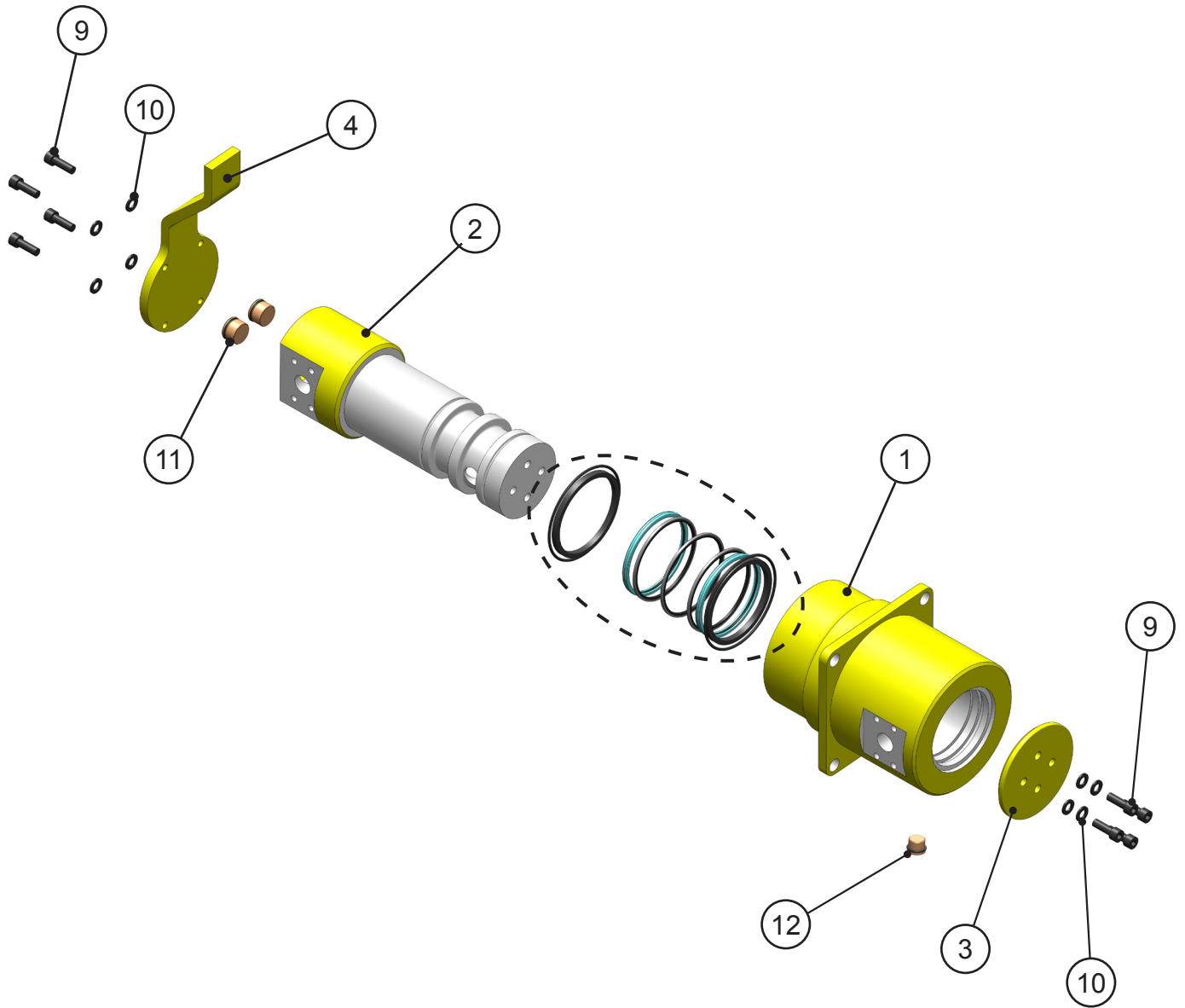
# SUB-ASSEMBLY LINE MOUNT MANIFOLD



## SUB-ASSEMBLY LINE MOUNT MANIFOLD

ITEM	QTY	PART NUMBER	DESCRIPTION
		<b>GDT 190 - 390</b>	
1	1	6300609	Valve Line Body
2	1	6300361	Valve Flow Control <span style="float: right;"><b>Seal Kit 6300634</b></span>
3	1	6300497	Adaptor Bulkhead 08MB-08MO
4	1	6310183	Adaptor 08MB-08MB
5	1	6300364	Filter

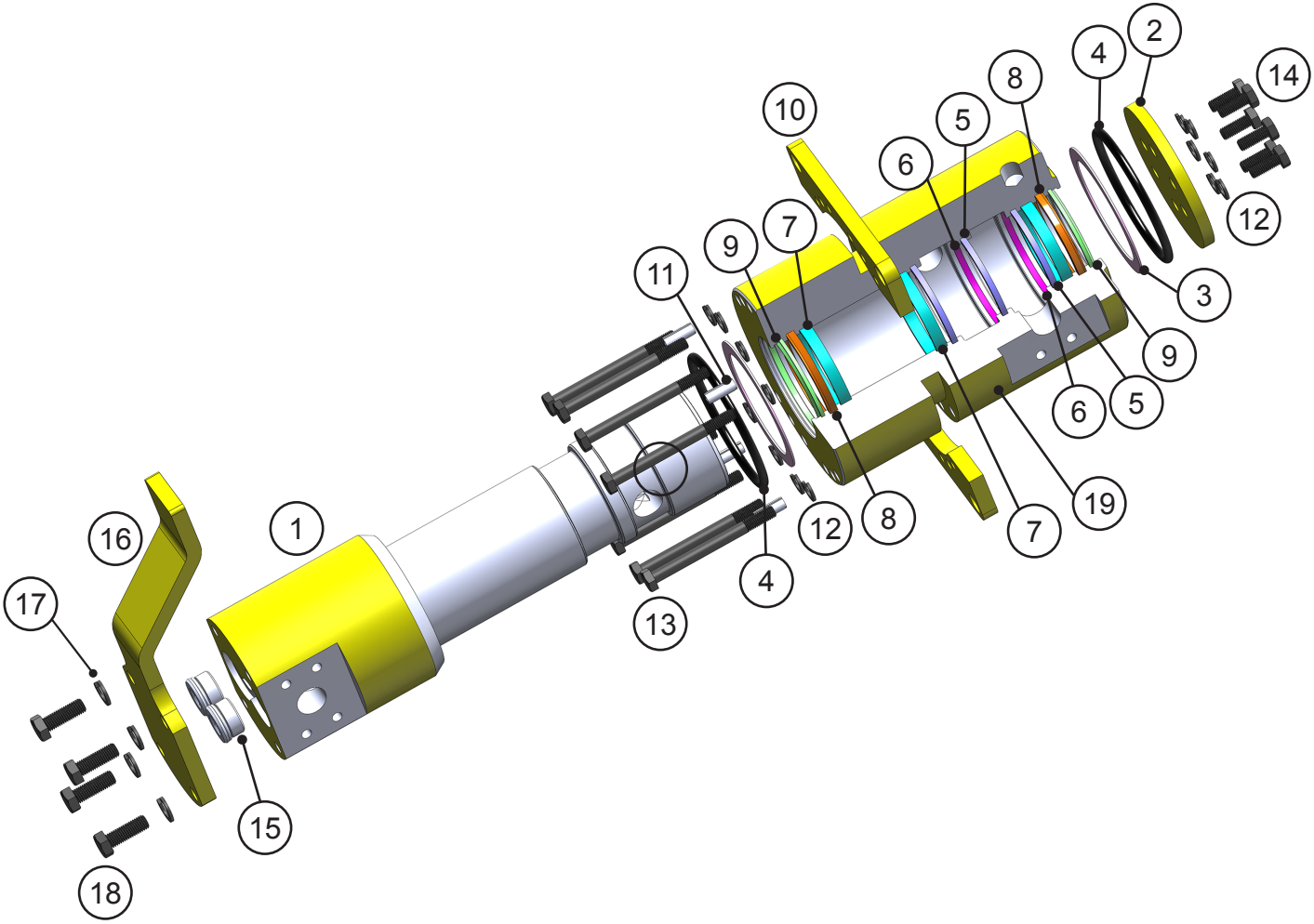
# GDT 190 & 290 ASSEMBLY SWIVEL MANIFOLD - 6350029



## GDT 190 & 290 ASSEMBLY SWIVEL MANIFOLD - 6350029

ITEM	QTY	PART NUMBER	DESCRIPTION
1	1	For replacement parts call the Genesis Parts Department. USA 715-395-5614 715-395-3405 Europe +49 83 31 9 25 98 0	2-Port Housing Assembly
2	1		2-Port Spool
3	1		Keeper Plate
4	1		Torque Arm
5	2		Wear Ring
6	3		Seal Kit
7	2		Crown Seal
8	2		O-Ring Seal
9	8		Socket Head Capscrew
10	8		Lock Washer
11	2		#14 SAE Hex Plug
12	1		#06 SAE Hex Plug

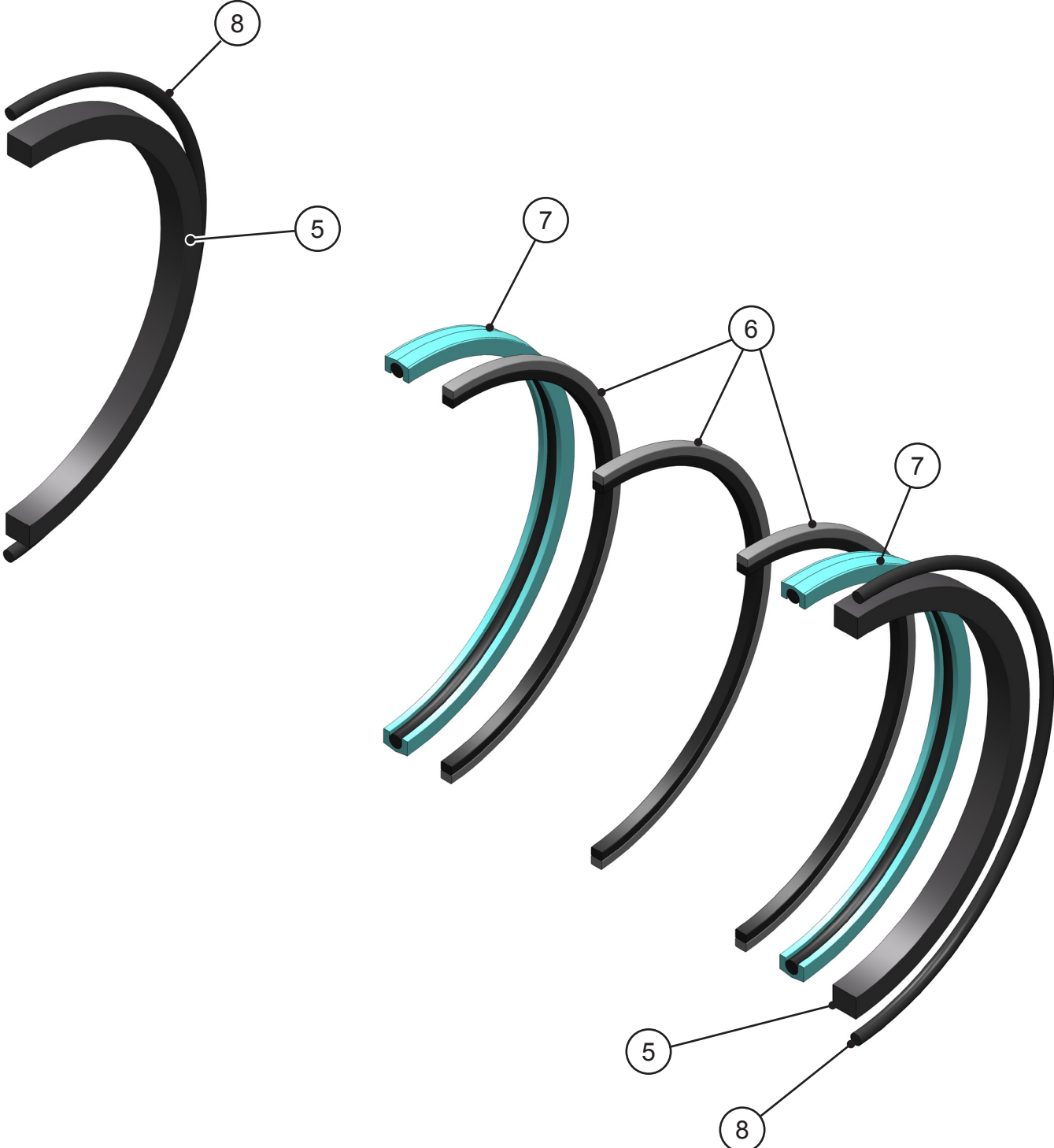
# GDT 390 ASSEMBLY SWIVEL MANIFOLD - 6350127



## GDT 390 ASSEMBLY SWIVEL MANIFOLD - 6350127

ITEM	QTY	PART NUMBER	DESCRIPTION
1	1	For replacement parts call the Genesis Parts Department. USA 715-395-5614 715-395-3405 Europe +49 83 31 9 25 98 0	Spool
2	1		Spool Plate
3	2		Thrust Washer
4	2		O-Ring
5	3		Energizer
6	3		Cap Seal
7	3		Wear Ring
8	2		U-Cup Seal
9	2		Excluder Seal
10	2		Mounting Plate
11	4		Coiled Spring Pin
12	14		Split Lock Washer
13	8		Hex Head Capscrew
14	6		Hex Head Capscrew
15	2		Zero-Leak Plug 14
16	1		Torque Arm
17	4		Lock Washer
18	4		Hex Head Capscrew
19	1		Housing

# GDT 190 & 290 ASSEMBLY SWIVEL MANIFOLD SEALS

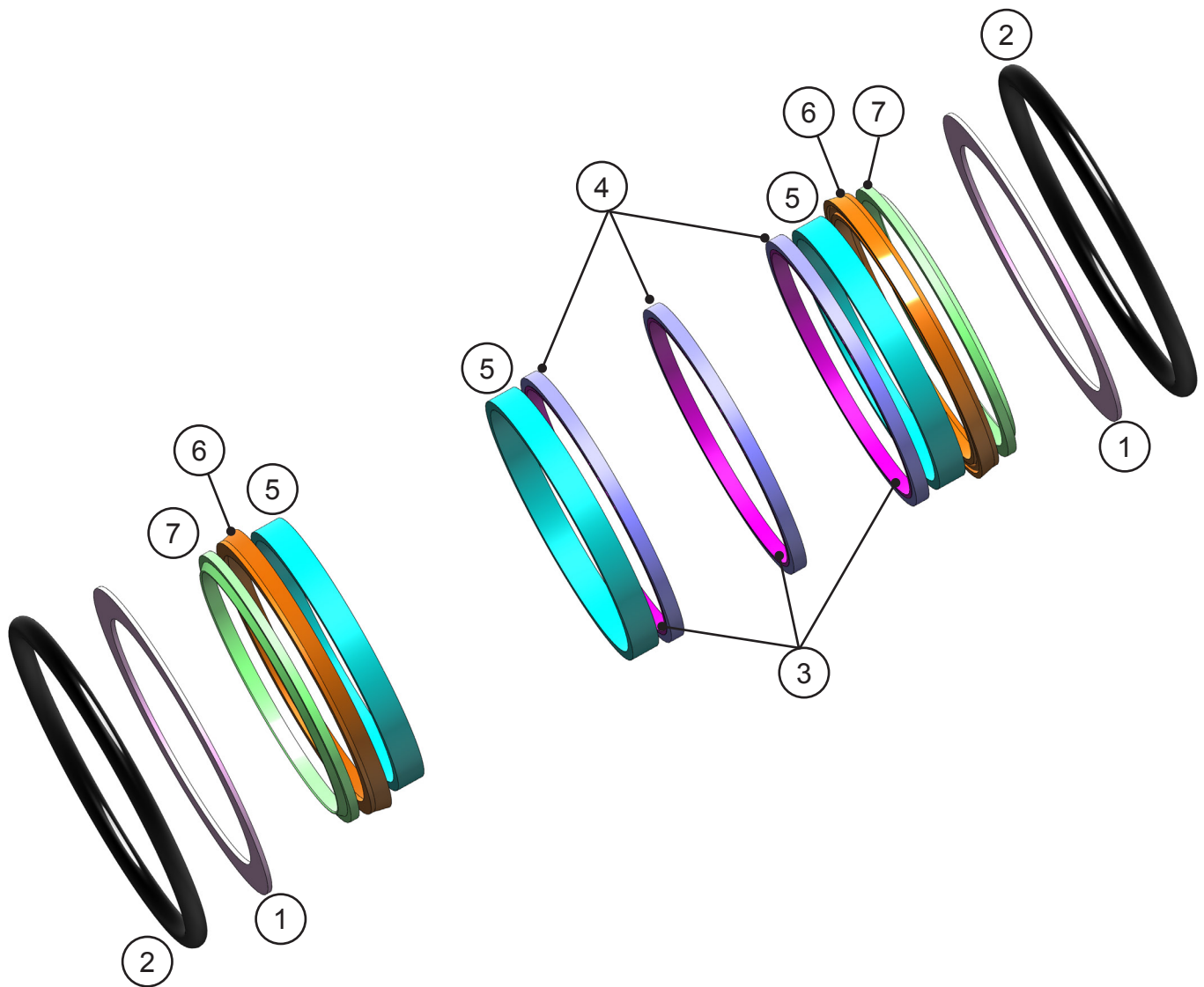




## GDT 190 & 290 ASSEMBLY SWIVEL MANIFOLD SEALS

ITEM	QTY	PART NUMBER	DESCRIPTION
5	2	These items ONLY available in Packing Kit <b>SK00086</b>	Wear Ring
6	3		Seal Kit
7	2		Crown Seal
8	2		O-Ring

# GDT 390 ASSEMBLY SWIVEL MANIFOLD SEALS



## GDT 390 ASSEMBLY SWIVEL MANIFOLD SEALS

ITEM	QTY	PART NUMBER	DESCRIPTION
1	2	These items ONLY available in Packing Kit <b>SK00206</b>	Thrust Washer
2	2		O-Ring
3	3		Energizer
4	3		Cap Seal
5	3		Wear Ring
6	2		U-Cup Seal
7	2		Excluder Seal

## SPLIT FLANGE KITS USED IN THIS MANUAL

### 1" Split Flange Kit - Code 61 - M10

QTY	PART NUMBER	DESCRIPTION
2	H0261100	Split Flange Half 1.00 Code 61
4	F0110035	Hex Head Capscrew M10 x 1.50 x 35
4	F1401000	Lock Washer M10
1	S0190219	O-Ring

### 1" Split Flange Kit - Code 62 - M10

QTY	PART NUMBER	DESCRIPTION
2	H0262100	Split Flange Half 1.00 Code 62
4	F0110040	Hex Head Capscrew M10 x 1.50 x 40
4	F1401000	Lock Washer M10
1	S0190219	O-Ring

### 1" Split Flange Kit - Code 62 - M12

QTY	PART NUMBER	DESCRIPTION
2	H0262100	Split Flange Half 1.00 Code 62
4	F0112040	Hex Head Capscrew M12 x 1.75 x 40
4	F1401200	Lock Washer M12
1	S0190219	O-Ring

### 1-1/4" Split Flange Kit - Code 62 - M12

QTY	PART NUMBER	DESCRIPTION
2	H0262125	Split Flange Half 1.25 Code 62
4	F0112050	Hex Head Capscrew M12 x 1.75 x 50
4	F1401200	Lock Washer M12
1	S0190222	O-Ring

### 1-1/4" Split Flange Kit - Code 62 - M14

QTY	PART NUMBER	DESCRIPTION
2	H0262125	Split Flange Half 1.25 Code 62
4	F0114050	Hex Head Capscrew M14 x 2.00 x 50
4	F1401400	Lock Washer M14
1	S0190222	O-Ring

# BOLT TORQUE SPECIFICATIONS

Dry Torque Values					
		Hex Head		Flat Head	
Fastener Grade	Size x Pitch	Nm	Ft-lb	Nm	Ft-lb
CL 10.9	M8 x 1.25	36	27	29	22
	M10 x 1.50	72	53	58	42
	M12 x 1.75	125	92	100	74
	M14 x 1.50	210	154	168	123
	M14 x 2.00	200	148	160	118
	M16 x 2.00	313	230	250	184
	M20 x 1.50	640	472	512	378
	M20 x 2.50	610	450	488	360
	M24 x 3.00	1055	778	844	622
	M27 x 3.00	1543	1138	1234	910
8	M30 x 3.50	2095	1545	1676	1236
	1/2-13	145	107	116	86
	1/2-20	163	120	130	96
	5/8-11	286	211	229	169
	3/4-10	510	376	408	301
	7/8-9	822	606	658	485
	1.00-8	1220	900	976	720
	1.00-14	1345	992	1076	794
L9	1.50-6	4280	3160	3424	2528
9	1.25-7	2464	1817	1971	1454

Wet Torque Values					
		Hex Head		Flat Head	
Fastener Grade	Size x Pitch	Nm	Ft-lb	Nm	Ft-lb
CL 10.9	M20 x 2.50	458	338	366	270
	M24 x 3.00	790	583	632	466
	M27 x 3.00	1157	850	926	680
	M30 x 3.50	1572	1160	1258	928
8	3/4-10	383	282	306	226
	7/8-9	617	455	494	364
	1.00-8	916	675	733	540
	1.25-7	1847	1362	1478	1090
9	1.50-12	4067	3000	3254	2400
Apply grease or anti-seize on threads and under bolt heads					

# WARRANTY

## **Claim Procedure**

Notify the Genesis Service Department of the potential warranty claim prior to making the repair. Digital pictures are very helpful for diagnosing problems and recommending repairs.

Contact the Genesis Service Department before making alterations, changes or repairs to any component that is going to be considered for warranty. Not doing so will void all Genesis warranty consideration.

The Genesis Service Department will issue an authorization number to track the repair costs, outgoing parts, and/or defective parts returning to the factory.

Replacement parts must be ordered using a purchase order number. Shipping is standard ground. Overnight shipping is available by request, and Genesis will not cover the shipping charge.

When the repair is complete, submit an invoice to the Genesis Service Department within 30 days. Include itemized internal labor reporting, parts lists and invoices for outside contractors. Reference the authorization number on all invoices.

When returning parts for warranty consideration, include a copy of any related Genesis paperwork along with any other necessary documentation to ensure proper processing and credit. The Genesis Service Department will provide the necessary forms.

Your account will be credited when the warranty claim is accepted.

## **Blade Warranty**

Standard warranty on blades will only be considered on the first edge, and wear on the edge must be 1/8" radius or less. Genesis does not warranty cutting blades that are cracked or broken from top to bottom (perpendicular to the long edge of the blade). Genesis also does not cover fasteners, the labor to replace wear components or collateral damage, such as blade seats, from broken blades, the piercing blade tang or adjustment plates.

**Please direct any questions to the Genesis Service Department: 715-395-5252**

# PARTS ORDER POLICY AND PROCEDURE

## **Parts Orders Should Include**

- Purchase order number
- Model and serial number of attachment
- Part number and quantity needed
- Shipping and billing address
- Method of shipment or required delivery date

## **Placing Orders**

Orders may be placed by phone, e-mail or fax. To fax an order, use the form on the following page. Contact information is located at the front of this manual.

## **Part Numbers**

Part numbers are listed in a separate Parts Manual or, if included, the Parts section of this manual. Contact the Genesis Parts Department with questions regarding part numbers, availability and pricing.

## **Shipping**

All orders will be shipped best way surface unless an alternate shipping method is requested. Shipping charges are not included in the purchase price of parts.

## **Invoices**

All invoices are due upon receipt. Any accounts with invoices open beyond 60 days are subject to review and may be placed on C.O.D. status without further notice.

## **Returns**

Unused Genesis parts may be returned with proper documentation. Return shipping is the responsibility of the purchaser. Credit will be issued upon return, less a 20% restocking fee. Documentation is required for credit of returned parts. Contact the Genesis Parts Department at 715-395-5252 for a RGA (Return Goods Authorization) number and form.

## **Return Goods Authorization**

All parts returned to Genesis for warranty consideration must be returned with a completed RGA (Return Goods Authorization) provided by the Genesis Parts Department. The form needs to be completed in its entirety, including any additional information requested by the Parts or Service Department. Return freight is the responsibility of the shipper and will be credited upon claim approval. A determination to accept or deny the claim will be made based on the information available to Genesis. Warranty on purchased parts other than wear components is 6 months. There is no warranty period on wear parts or components.



**PARTS ORDER FORM**

Customer: \_\_\_\_\_ Date: \_\_\_\_\_

Phone: \_\_\_\_\_ Contact: \_\_\_\_\_

Shipping Address: \_\_\_\_\_ Fax: \_\_\_\_\_

\_\_\_\_\_ Billing Address: \_\_\_\_\_

\_\_\_\_\_

\_\_\_\_\_

Purchase Order: \_\_\_\_\_ Shipping Method: \_\_\_\_\_

Model: \_\_\_\_\_ Serial Number: \_\_\_\_\_

Quantity	Part Number	Description	Price

Fax to the Genesis Parts Department at 715-395-3411  
For assistance, call 715-395-5252 or e-mail [genesisparts@genesisattachments.com](mailto:genesisparts@genesisattachments.com)



# INDEX

1-1/4" Split Flange Kit - Code 62 - M12	36	3502114 Mach Upper Cyl Bearing	11
1-1/4" Split Flange Kit - Code 62 - M14	36	3502115 Wldt Upper Cyl Pin	11
1" Split Flange Kit - Code 61 - M10	36	3502117 Mach Pin Rear Cyl Pin	11
1" Split Flange Kit - Code 62 - M10	36	3502118 Plt Cover	21
1" Split Flange Kit - Code 62 - M12	36	3502119 Assy Hose R	15
2-Port Housing Assembly	29	3502120 Assy Hose L	15
2-Port Spool	29	3502121 Mach Pin Teeth Upper	9
#06 SAE Hex Plug	29	3502122 Mach Pin Teeth Lower	9
#14 SAE Hex Plug	29	3502149 Mach Blade	9
1100319 Plt Cover	23	3502152 Mach Tooth Lower Inside	9
1103607 Mach Pin Keeper	11	3502154 Mach Tooth Lower Outside	9
1105883 Plt Bolt Cover	25	3502156 Mach Tooth Upper RH	9
2200232 Flat Washer	23	3502158 Mach Tooth Upper LH	9
2200232 Mach Washer	25	3502161 Wtmg Sub-head	23
3100133 Mach Upper Cyl Bearing	11	3502178 Wtmg Sub-head	23
3101224 Motor Spline Shaft	25	3502184 Assy Hose Rotate Long	23
3500023 Mach Orifice	17, 19	3502185 Assy Hose Rotate Short	23
3500309 Mach Pin Keeper	11	3502186 Assy Hose Rotate Short	23
3500350 Mach Pin Keeper	11	3502187 Assy Hose Rotate Long	23
3500360 Shim Set	7	3502188 Assy Hose Grease	23
3500637 Wldt Upper Cyl Pin	11	3502189 Mach Pin, Rotation Lock	23
3500831 Mach Pin Keeper	11	3502190 Plt Cover	23
3501099 Mach End Cap	7	3502191 Plt Cover	23
3501100 Mach Bearing	7	3502192 Pinion Motor	23
3501246 Mach Pin Keeper	11	3502250 Wtmg Upper	5
3501760 Mach Bearing	7	3502259 Wtmg Stick	5
3501761 Shim Set	7	3502284 Assy Hose R	15
3501812 Mach End Cap	7	3502284 Mach Main Shaft	7
3501835 Mach Spacer	23, 25	3502285 Mach Pin Rear Cyl Pin	11
3501836 Mach Washer	25	3502287 Mach Pin Teeth Upper	9
3501915 Mach Pin	25	3502288 Mach Pin Teeth Lower	9
3501976 Wtmg Stick	5	3502290 Assy Hose L	15
3501980 Wtmg Upper	5	3502291 Mach Tooth Upper RH	9
3501986 Mach Upper Cyl Bearing	11	3502293 Mach Tooth Upper LH	9
3501987 Mach Pin Rear Cyl Pin	11	3502295 Mach Tooth Lower Inside	9
3501988 Wldt Upper Cyl Pin	11	3502297 Mach Tooth Lower Outside	9
3501990 Mach Main Shaft	7	3502299 Mach Blade	9
3501994 Plt Cover	21	3502302 Wtmg Sub-Head	25
3501995 Assy Hose R	15	3502313 Assembly Hose Grease	25
3501997 Swivel Gasket	15	3502314 Assembly Hose Flow Control	25
3502013 Mach Blade	9	3502315 Mach Port Block	25
3502026 Mach Pin, Rotation Lock	23	3502317 Assembly Hose Motor	25
3502027 Plt Cover	23	3502318 Assembly Hose Motor	25
3502028 Mach Port Block	23	3502319 Assembly Hose Motor	25
3502034 Assy Hose Grease	23	3502320 Plt Cover	25
3502086 Mach Tooth Upper RH	9	5512411 Mach Grease Bulkhead Adapter	23, 25
3502088 Mach Tooth Upper LH	9	5512419 Mach Slewing Ring Grease Adapter	23, 25
3502090 Mach Tooth Lower Inside	9	6100092 Slewing Ring	23
3502094 Mach Tooth Lower Outside	9	6100397 Slewing Ring	23
3502101 Mach Pin Teeth Upper	9	6200002 Grease Fitting	7, 11, 23, 25
3502102 Mach Pin Teeth Lower	9	6300052 Adapter 12MB-08MO	25
3502103 Assy Hose L	15	6300054 Plug Socket Head	23
3502105 Wtmg Upper	5	6300061 Valve Check COHA-XCV	19
3502112 Wtmg Stick	5	6300134 Mach Dowel	7
3502113 Mach Main Shaft	7	6300149 Adapter 10MB-8MO	23, 25

# INDEX

6300153 Plug Socket Head 06MB	17, 19	F0110020 Hex Head Capscrew	23, 25
6300305 Adapter 10MB-08MFFOR-90	25	F0110035 Hex Head Capscrew M10 x 1.50 x 35	36
6300305 Adapter 10MB-8MO-90	23	F0110040 Hex Head Capscrew M10 x 1.50 x 40	36
6300361 Valve Flow Control	27	F0110110 Hex Head Capscrew	15
6300364 Filter	27	F0112020 Hex Head Capscrew	21
6300406 Adapter Run Tee 08FOX-08MO-08MO	25	F0112025 Hex Head Capscrew	21, 23, 25
6300429 Slewing Ring	25	F0112040 Hex Head Capscrew M12 x 1.75 x 40	36
6300497 Adaptor Bulkhead 08MB-08MO	27	F0112050 Hex Head Capscrew	25
6300609 Valve Line Body	27	F0112050 Hex Head Capscrew M12 x 1.75 x 50	23, 36
6300621 Valve Shuttle CSAB-XXV	17, 19	F0112100 Hex Head Capscrew	25
6300623 Valve Logic DKHS-XHV	19	F0114050 Hex Head Capscrew M14 x 2.00 x 50	36
6300625 Valve PSI Reducer PRDB-LWV	17, 19	F0116040 Hex Head Capscrew	23, 25
6300638 O-Ring 1p-3705 High PSI Seal 2.0 OD	17, 19	F0120090 Hex Head Capscrew	23
6300723 O-Ring 1p-3705 High PSI Seal 2.25 OD	17	F0120100 Hex Head Capscrew	23
6300723 O-Ring 1p-3705 High Seal 2.25 OD	19	F0124050 Hex Head Capscrew	23, 25
6300731 Adapter 02MP-04MO	23, 25	F0124100 Hex Head Capscrew	9
6300763 Plug Socket Head 02MB	19	F0124130 Hex Head Capscrew	9
6300763 Valve - GenFlow	15	F0127100 Hex Head Capscrew	9
6300796 Mach Regen Manifold	19	F0127120 Hex Head Capscrew	9
6301202 Flow Control Sub-Assembly	23, 25	F0127130 Hex Head Capscrew	9, 25
6310004 Adapter	15	F0127160 Hex Head Capscrew	9
6310082 Adapter 12MB-08MO-90	25	F0238125 Hex Head Capscrew	25
6310183 Adaptor 08MB-08MB	27	F0610025 Socket Head Capscrew	23, 25
6310191 Mach Port Spacer	15	F0610035 Socket Head Capscrew	15
6310199 Mach Port Spacer	15	F0610130 Socket Head Capscrew	23
6350029 Assy Swivel	23	F0610170 Socket Head Capscrew	25
6350102 Hydraulic Cylinder	15	F0612055 Socket Head Capscrew	25
6350114 Hydraulic Cylinder	15	F0612060 Socket Head Capscrew	23
6350126 Hydraulic Cylinder	15	F0612070 Socket Head Capscrew	11
6350127 Swivel Manifold Assembly	25	F0616150 Socket Head Capscrew	11
6360004 Valve - GenFlow	15	F0620100 Socket Head Capscrew	11, 15
6360010 Valve Rotate Cross-over / C'bal	25	F0620160 Socket Head Capscrew	11
6360023 Valve Rotate Cross-over / C'bal	23	F0620180 Socket Head Capscrew	11
6380037 Mach Regen Manifold	17	F0624060 Socket Head Capscrew	7
6380038 Valve Logic DKHS-XHV	17	F0731200 Socket Head Capscrew	23
6380039 Valve Check COHA-XCV	17	F1012175 Nylock Hex Nut	11
6380083 Motor	23	F1016200 Nylock Hex Nut	11
6380084 Motor	25	F1020250 Nylock Hex Nut	11
Access Covers	20, 21	F1201021 Flat Washer	23, 25
Assembly Blade Kit	5, 8, 9	F1201224 Flat Washer	21, 23, 25
Assembly Cylinder	14, 15	F1201630 Flat Washer	23, 25
Assembly Cylinder Pins	5, 10, 11	F1202444 Washer	9
Assembly Lugs	5, 12, 13	F1202750 Flat Washer	25
Assembly Pivot Group	5	F1202750 Washer	9
Assembly Pivot Group - Right Side	6, 7	F1401000 Lock Washer M10	15, 36
Bar Strap	13	F1401200 Lock Washer	25
Bolt Torque Specifications	37	F1401200 Lock Washer M12	23, 36
Bracket Fasteners	13	F1401400 Lock Washer M14	36
Cap Seal	31, 35	GDT 190 & 290 Assembly Sub-Head	22, 23
Coiled Spring Pin	31	GDT 190 & 290 Assembly Swivel Manifold -	
Contact Information	2, 44	6350029	28, 29, 31
Crown Seal	29, 33	GDT 190 & 290 Assembly Swivel Manifold Seals	32, 33
Energizer	31, 35	GDT 190 & 290 Regen Block Sub-Assembly	
Excluder Seal	31, 35	6360004	16, 17

# INDEX

GDT 390 Assembly Sub-Head 24, 25  
GDT 390 Assembly Swivel Manifold - 6350127 30, 31  
GDT 390 Assembly Swivel Manifold Seals 34, 35  
GDT 390 Regen Block Sub-Assembly 6300763 18, 19  
General Arrangement 4, 5  
H0261100 Split Flange Half 1.00 Code 61 15, 36  
H0262100 Split Flange Half 1.00 Code 62 15, 23, 25,  
36  
H0262125 Split Flange Half 1.25 Code 62 36  
H0362100 Split Flange Plug 23  
H0362100 Split Flange Plug 1.00 Code 62 25  
Hex Head Capscrew 13, 31  
Housing 31  
Keeper Plate 29  
Lock Washer 29, 31  
Mach Pin Keeper 13  
Mach Spacer Sleeve 13  
Mounting Plate 31  
O-Ring 31, 33, 35  
O-Ring Seal 29  
Parts Order Form 40  
Parts Order Policy and Procedure 39  
S0190015 O-Ring 23  
S0190219 O-Ring 15, 23, 25, 36  
S0190222 O-Ring 36  
S0190270 O-Ring 7  
S0190274 O-Ring 7  
S0190372 Shim Set 7  
S0190376 O-Ring 7  
Seal Kit 29, 33  
Seal Kit 6300622 17, 19  
Seal Kit 6300624 19  
Seal Kit 6300634 27  
Seal Kit SK00024 19  
Seal Kit SK00026 17  
Seal Kit SK00043 17  
Seal Kit SK00047 19  
SK00040 Cylinder Seal Kit 15  
SK00044 Cylinder Seal Kit 15  
SK00086 33  
SK00197 Cylinder Seal Kit 15  
SK00206 35  
Socket Head Capscrew 29  
Split Flange Kits Used in This Manual 36  
Split Lock Washer 31  
Spool 31  
Spool Plate 31  
Stick Pin Decal 13  
Sub-Assembly Line Mount Manifold 26, 27  
Table of Contents 3  
Thrust Washer 31, 35  
Torque Arm 29, 31  
U-Cup Seal 31, 35  
Warranty 38  
Washer 13  
Wear Ring 29, 31, 33, 35  
Wldt Link Pin 13  
Wldt Stick Pin 13  
Wtmg Lugs 13  
Zero-Leak Plug 14 31



**GENESIS®**

The Promise of Performance.

## CONTACT INFORMATION

### **World Headquarters Genesis Attachments**

1000 Genesis Drive  
Superior, WI 54880 USA

Toll Free: 888-SHEAR-IT  
(888-743-2748)

Phone: 715.395.5252  
Fax: 715.395.5255

E-mail:  
info@genesisattachments.com

### **Europe/Africa/Middle East Genesis GmbH**

Teramostrasse 23  
87700 Memmingen, Germany

Phone: +49 83 31 9 25 98 0  
Fax: +49 83 31 9 25 98 80  
genesis-europe.com

E-mail:  
info@genesis-europe.com

### **Asia Pacific Representative Office**

24 Upper Serangoon View #12-28  
Singapore 534205

Phone: +65 9673 9730

E-mail:  
tchoo@genesisattachments.com

### **Central & South America, The Caribbean**

Cra 13A #89-38 / Ofi 613  
Bogota, Colombia

Phone: +57 1 610 8160 / 795 8747

E-mail:  
contact@themsagroup.com

### **Brazil**

Avenida Araça, 1677  
Campinas - São Paulo

Phone: +55 19 9 9989-8803

E-mail:  
gel@themsagroup.com

View and download all manuals at [genesisattachments.com/manuals.asp](http://genesisattachments.com/manuals.asp)

Patents: [genesisattachments.com/patents](http://genesisattachments.com/patents)