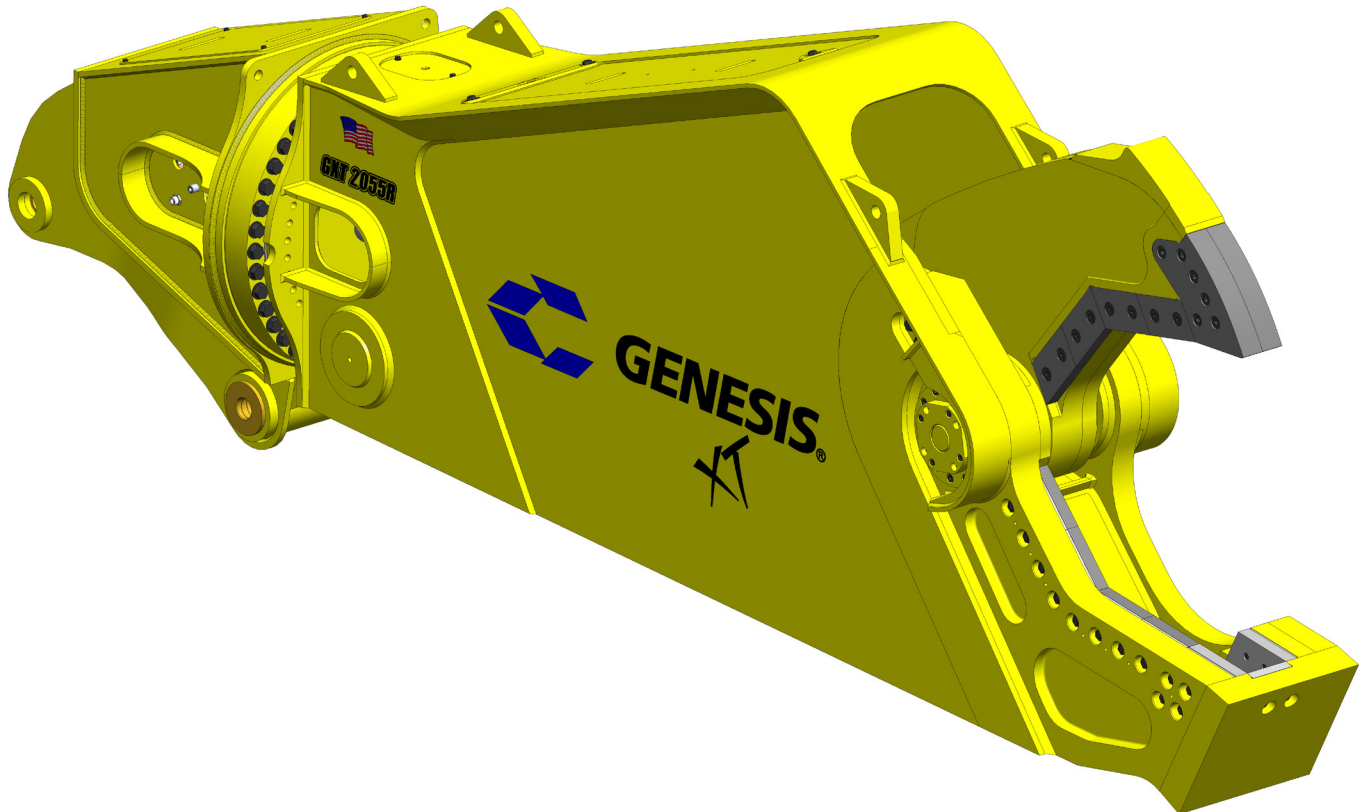


# GXT 2055R Mobile Shear

## PARTS MANUAL



## CONTACT INFORMATION

### **World Headquarters Genesis Attachments**

1000 Genesis Drive  
Superior, WI 54880 USA

Toll Free: 888-SHEAR-IT  
(888-743-2748)

Phone: 715.395.5252  
Fax: 715.395.5255

E-mail:  
info@genesisattachments.com

### **Europe/Africa/Middle East Genesis GmbH**

Teramostrasse 23  
87700 Memmingen, Germany

Phone: +49 83 31 9 25 98 0  
Fax: +49 83 31 9 25 98 80  
genesis-europe.com

E-mail:  
info@genesis-europe.com

### **Asia Pacific Representative Office**

24 Upper Serangoon View #12-28  
Singapore 534205

Phone: +65 9673 9730

E-mail:  
tchoo@genesisattachments.com

### **Central & South America, The Caribbean**

Cra 13A #89-38 / Ofi 613  
Bogota, Colombia

Phone: +57 1 610 8160 / 795 8747

E-mail:  
contact@themsagroup.com

### **Brazil**

Avenida Araça, 1677  
Campinas - São Paulo

Phone: +55 19 9 9989-8803

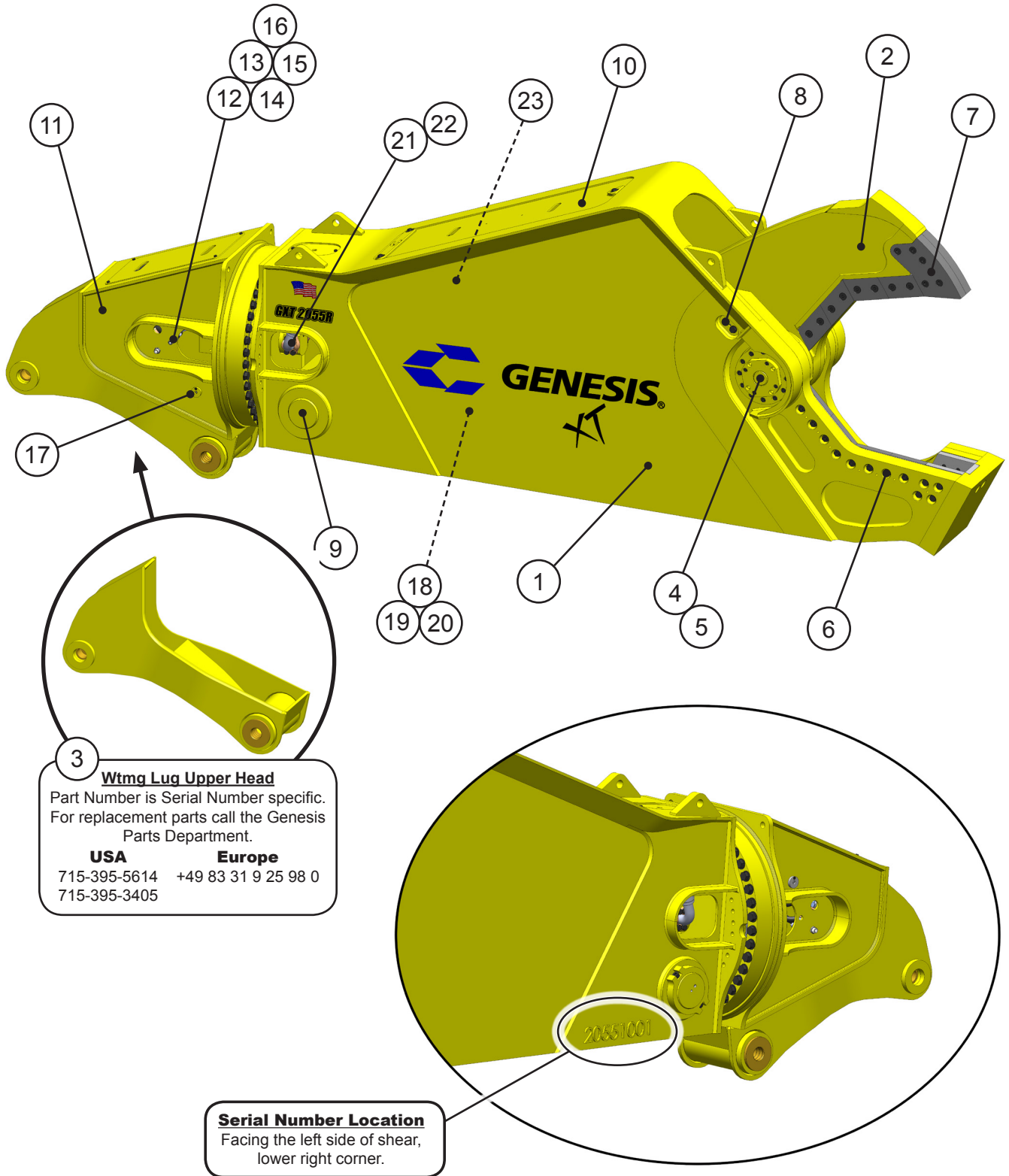
E-mail:  
gel@themsagroup.com

View and download all manuals at [genesisattachments.com/manuals.asp](http://genesisattachments.com/manuals.asp)  
Patents: [genesisattachments.com/patents](http://genesisattachments.com/patents)

# TABLE OF CONTENTS

CONTACT INFORMATION.....	2
GENERAL ARRANGEMENT.....	4
ASSEMBLY PIVOT GROUP - RIGHT SIDE.....	6
ASSEMBLY PIVOT GROUP - LEFT SIDE.....	8
ASSEMBLY LOWER BLADES.....	10
ASSEMBLY UPPER BLADES.....	12
ASSEMBLY AUTO GUIDE.....	14
ASSEMBLY CYLINDER PINS.....	16
ASSEMBLY ACCESS COVERS.....	18
ASSEMBLY UPPER HEAD.....	20
ASSEMBLY ROTATION - PISTON MOTOR.....	22
ASSEMBLY ROTATION - MOTOR AND VALVE DRAIN LINES.....	24
ASSEMBLY ROTATION - VALVE TO VALVE PLUMBING.....	26
ASSEMBLY ROTATION - MOTOR MANIFOLD.....	28
ASSEMBLY LINE MOUNT MANIFOLD.....	30
ASSEMBLY ROTATION - GREASE SYSTEM PLUMBING.....	32
ASSEMBLY OPEN AND CLOSE CIRCUIT.....	34
ASSEMBLY CYLINDER - BARREL AND GLAND.....	36
ASSEMBLY CYLINDER - ROD AND PISTON.....	38
ASSEMBLY CYLINDER - PISTON SEALS.....	40
ASSEMBLY CYLINDER - GLAND SEALS.....	42
ASSEMBLY PORT BLOCK.....	44
ASSEMBLY SWIVEL MANIFOLD - 6350095.....	46
ASSEMBLY SWIVEL MANIFOLD PACKING KIT - SK00141.....	48
ASSEMBLY CYLINDER - EXTEND PLUMBING.....	50
ASSEMBLY CYLINDER - RETRACT PLUMBING.....	52
REGEN BLOCK SUB-ASSEMBLY.....	54
ASSEMBLY SWIVEL MANIFOLD CONFIGURATIONS.....	56
WARRANTY.....	57
PARTS ORDER POLICY AND PROCEDURE.....	58
PARTS ORDER FORM.....	59
INDEX.....	60
CONTACT INFORMATION.....	62

# GENERAL ARRANGEMENT



**3**  
**Wtmg Lug Upper Head**  
 Part Number is Serial Number specific.  
 For replacement parts call the Genesis  
 Parts Department.  
**USA**                      **Europe**  
 715-395-5614    +49 83 31 9 25 98 0  
 715-395-3405

**Serial Number Location**  
 Facing the left side of shear,  
 lower right corner.

## GENERAL ARRANGEMENT

ITEM	QTY	PART NUMBER	DESCRIPTION
1	1	1107118	Wtmg Stick
2	1	1107125	Wtmg Upper
3		* Note Below	Wtmg Lug Upper Head
4		See page 6	Assembly Pivot Group - Right Side
5		See page 8	Assembly Pivot Group - Left Side
6		See page 10	Assembly Lower Blades
7		See page 12	Assembly Upper Blades
8		See page 14	Assembly Auto Guide
9		See page 16	Assembly Cylinder Pins
10		See page 18	Assembly Access Covers
11		See page 20	Assembly Upper Head
12		See page 22	Assembly Rotation - Piston Motor
13		See page 24	Assembly Rotation - Motor and Valve Drain Lines
14		See page 26	Assembly Rotation - Valve to Valve Plumbing
15		See page 28	Assembly Rotation - Motor Manifold
16		See page 30	Assembly Line Mount Manifold
17		See page 32	Assembly Rotation - Grease System Plumbing
18		See page 34	Assembly Open and Close Circuit
19		See page 36	Assembly Cylinder - Barrel and Gland
20		See page 38	Assembly Cylinder - Rod and Piston
21		See page 44	Assembly Port Block
22		See page 46	Assembly Swivel Manifold
23		See page 54	Regen Block Sub-Assembly

\* Wtmg Lug Upper Head Part Number is Serial Number specific. For replacement parts call the Genesis Parts Department.

**USA**

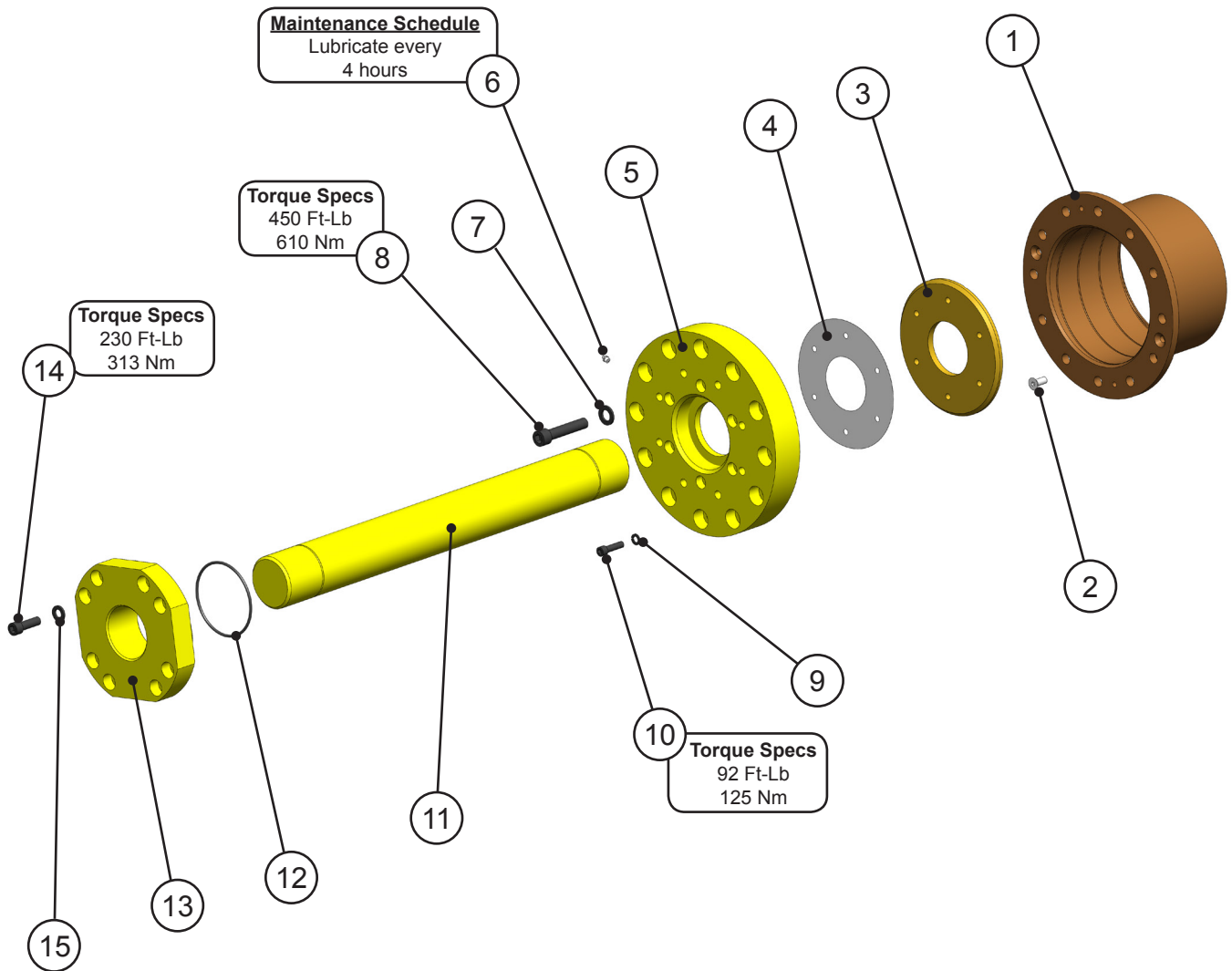
715-395-5614

715-395-3405

**Europe**

+49 83 31 9 25 98

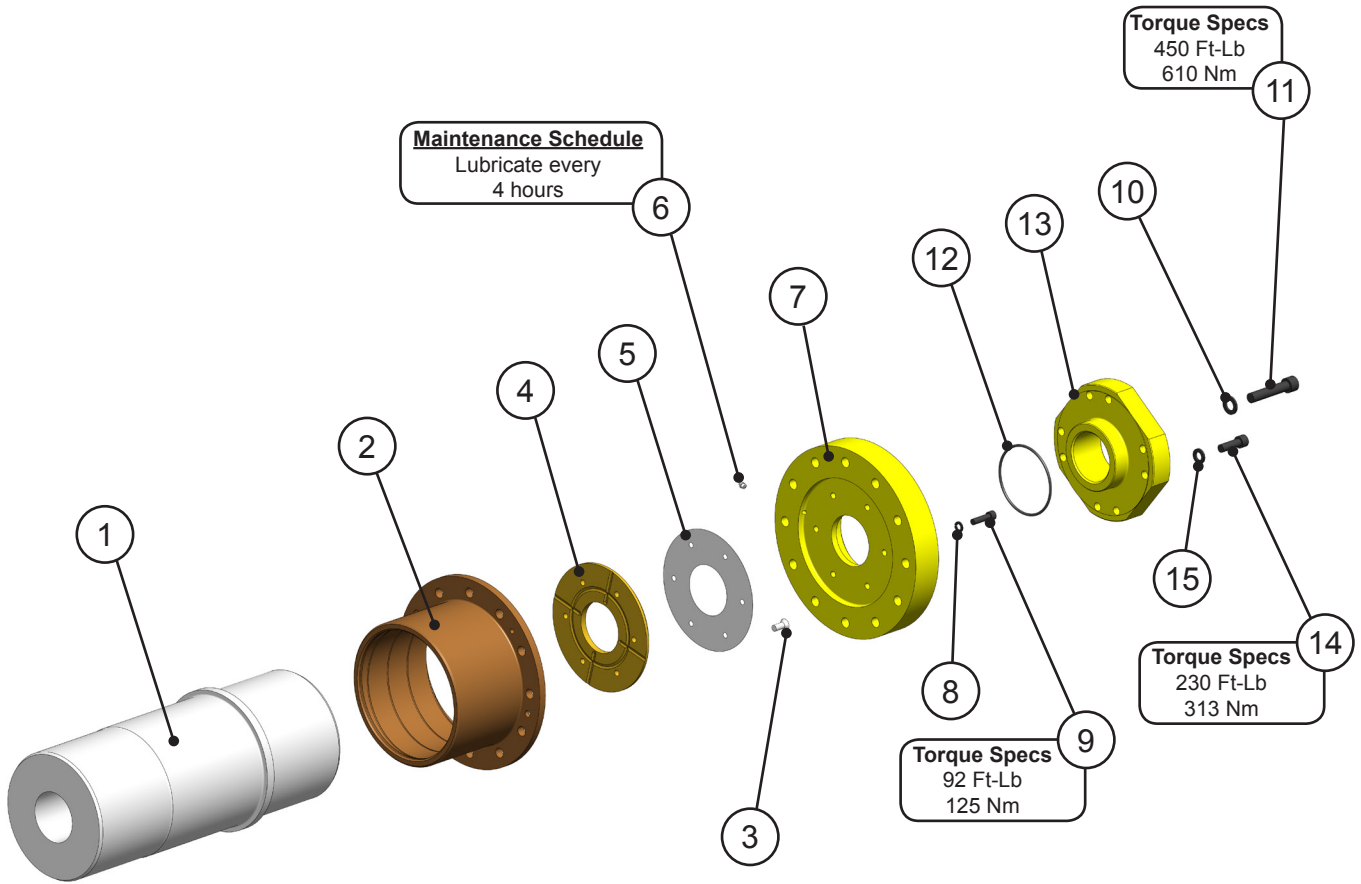
# ASSEMBLY PIVOT GROUP - RIGHT SIDE



## ASSEMBLY PIVOT GROUP - RIGHT SIDE

ITEM	QTY	PART NUMBER	DESCRIPTION
1	1	1107126	Mach Bearing
2	2	F0412030	Flat Head Capscrew M12 x 1.75 x 30
3	1	1107128	Mach Thrust Washer
4	1	1107132	Shim Set Thrust Washer
5	1	1107129	Mach End Cap
6	1	6200002	Grease Fitting
7	12	F1202037	Flat Washer M20
8	12	F0620100	Socket Head Capscrew M20 x 2.50 x 100
9	6	F1401200	Lock Washer M12
10	6	F0612045	Socket Head Capscrew M12 x 1.75 x 45
11	1	1107130	Mach Tie Rod
12	1	S0190350	O-Ring
13	1	1107031	Mach Tie Rod Nut
14	4	F0616050	Socket Head Capscrew M16 x 2.00 x 50
15	4	F1201630	Flat Washer M16

# ASSEMBLY PIVOT GROUP - LEFT SIDE

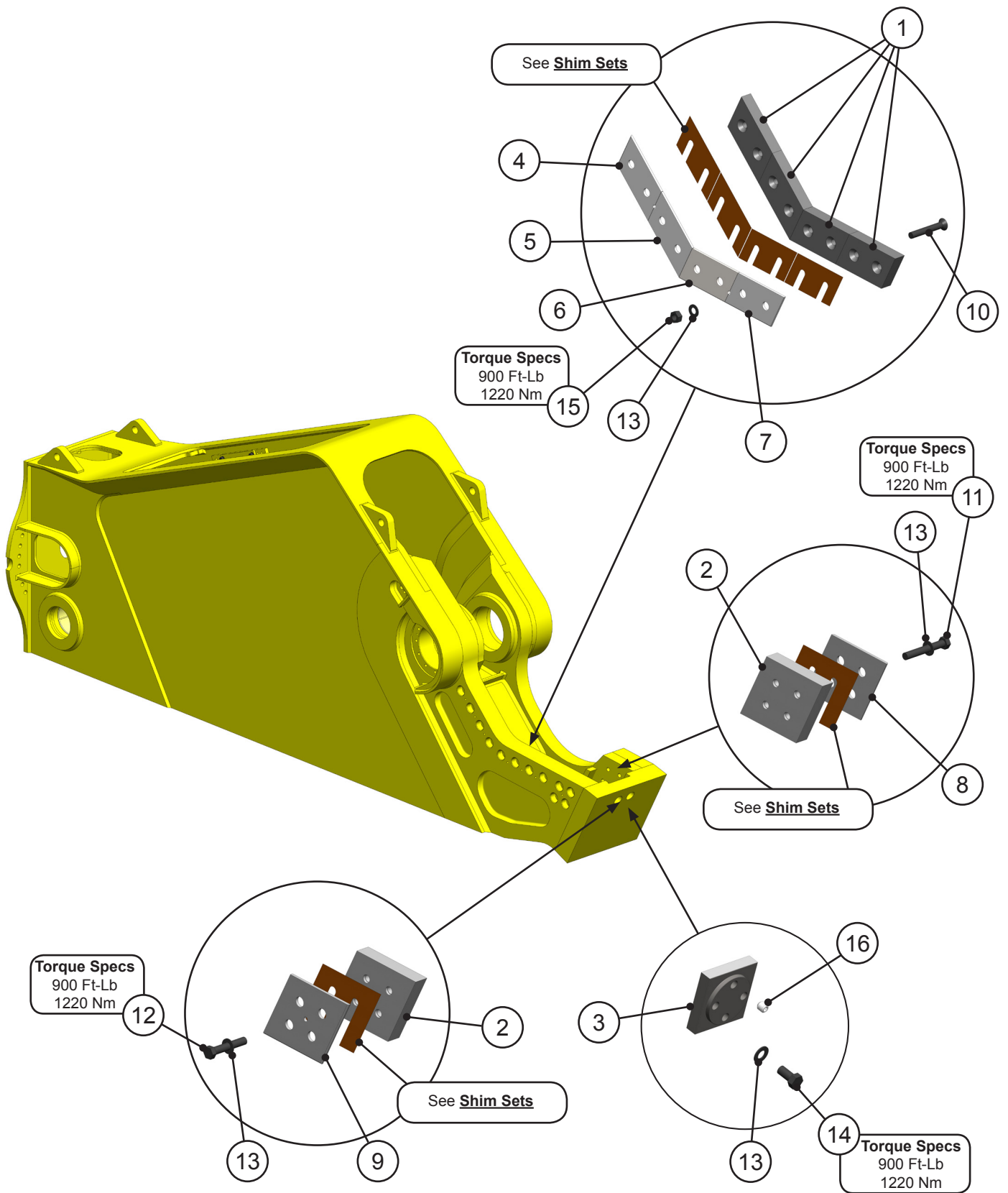




## ASSEMBLY PIVOT GROUP - LEFT SIDE

ITEM	QTY	PART NUMBER	DESCRIPTION
1	1	1107127	Mach Main Shaft
2	1	1107126	Mach Bearing
3	2	F0412030	Flat Head Capscrew M12 x 1.75 x 30
4	1	1107128	Mach Thrust Washer
5	1	1107132	Shim Set Thrust Washer
6	1	6200002	Grease Fitting
7	1	1107129	Mach End Cap
8	6	F1401200	Lock Washer M12
9	6	F0612045	Socket Head Capscrew M12 x 1.75 x 45
10	12	F1402000	Lock Washer M20
11	12	F0620100	Socket Head Capscrew M20 x 2.50 x 100
12	1	S0190350	O-Ring
13	1	1107031	Mach Tie Rod Nut
14	4	F0616050	Socket Head Capscrew M16 x 2.00 x 50
15	4	F1201630	Flat Washer M16

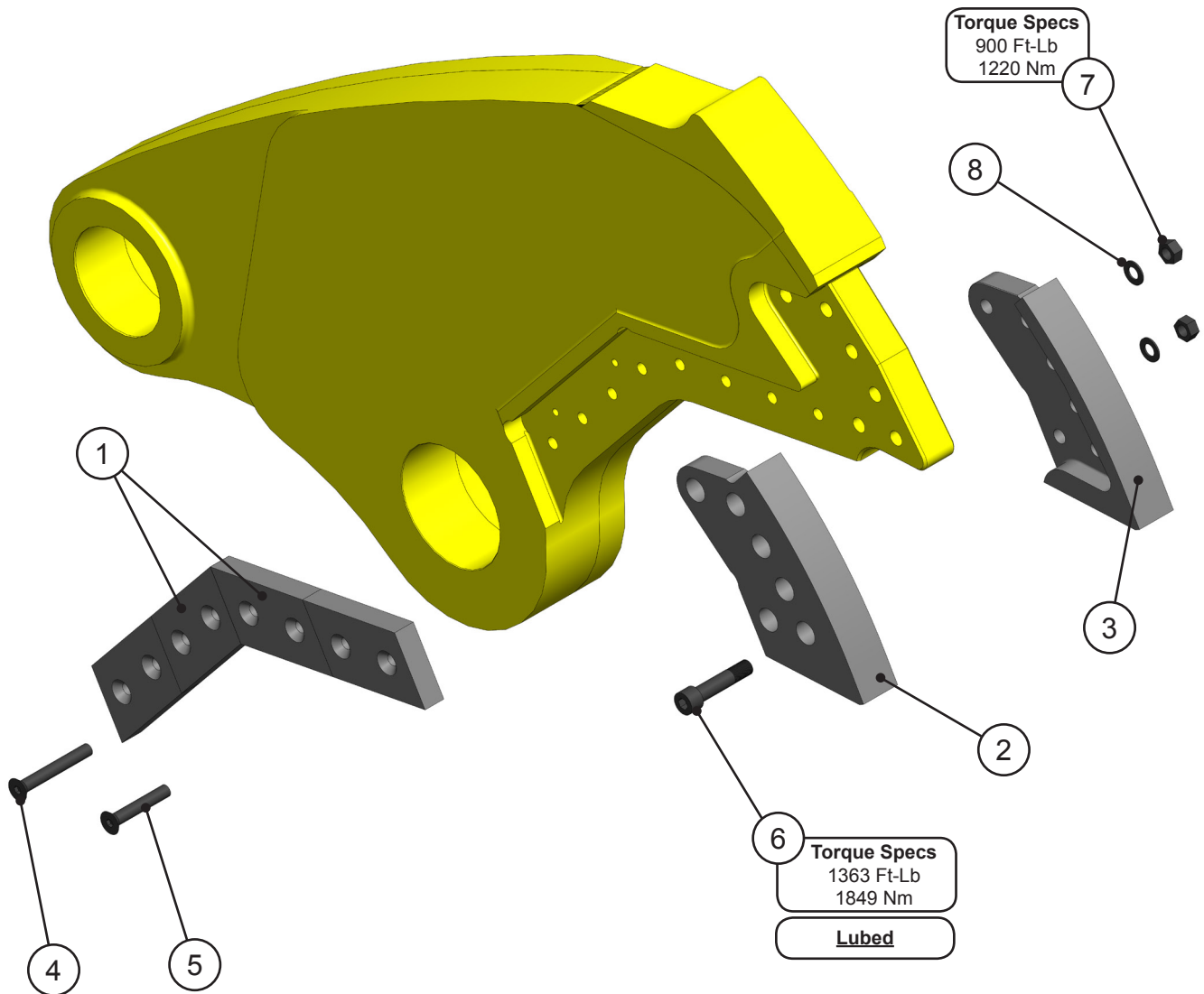
# ASSEMBLY LOWER BLADES



## ASSEMBLY LOWER BLADES

ITEM	QTY	PART NUMBER	DESCRIPTION
1	4	1107133	Mach Blade
2	2	1105609	Mach Blade Guide
3	1	1107139	Mach Blade Razor
4	1	1107135	Mach Adjust Plate - Primary Throat
5	1	1107136	Mach Adjust Plate - Primary Apex
6	1	1107137	Mach Adjust Plate - Secondary Apex
7	1	1107138	Mach Adjust Plate - Secondary Chin
8	1	1105611	Mach Guide Blade Adjust Plt
9	1	1105610	Mach Guide Blade Adjust Plt
10	8	F0510700	Flat Head Capscrew 1.00-8 x 7.00
11	4	F0210700	Hex Head Capscrew 1.00-8 x 7.00
12	4	F0210575	Hex Head Capscrew 1.00-8 x 5.75
13	8	F1300100	Flat Washer Narrow 1.00
14	2	F0210200	Hex Head Capscrew 1.00-8 x 2.00
15	8	F0910008	Hex Nut 1.00-8
16	2	F2510100	Set Screw 1.00-8 x 1.00
<b>SHIM SET</b>			
		1107134	Blade Shim Set
		1105614	Guide Shim Set, Blade Side

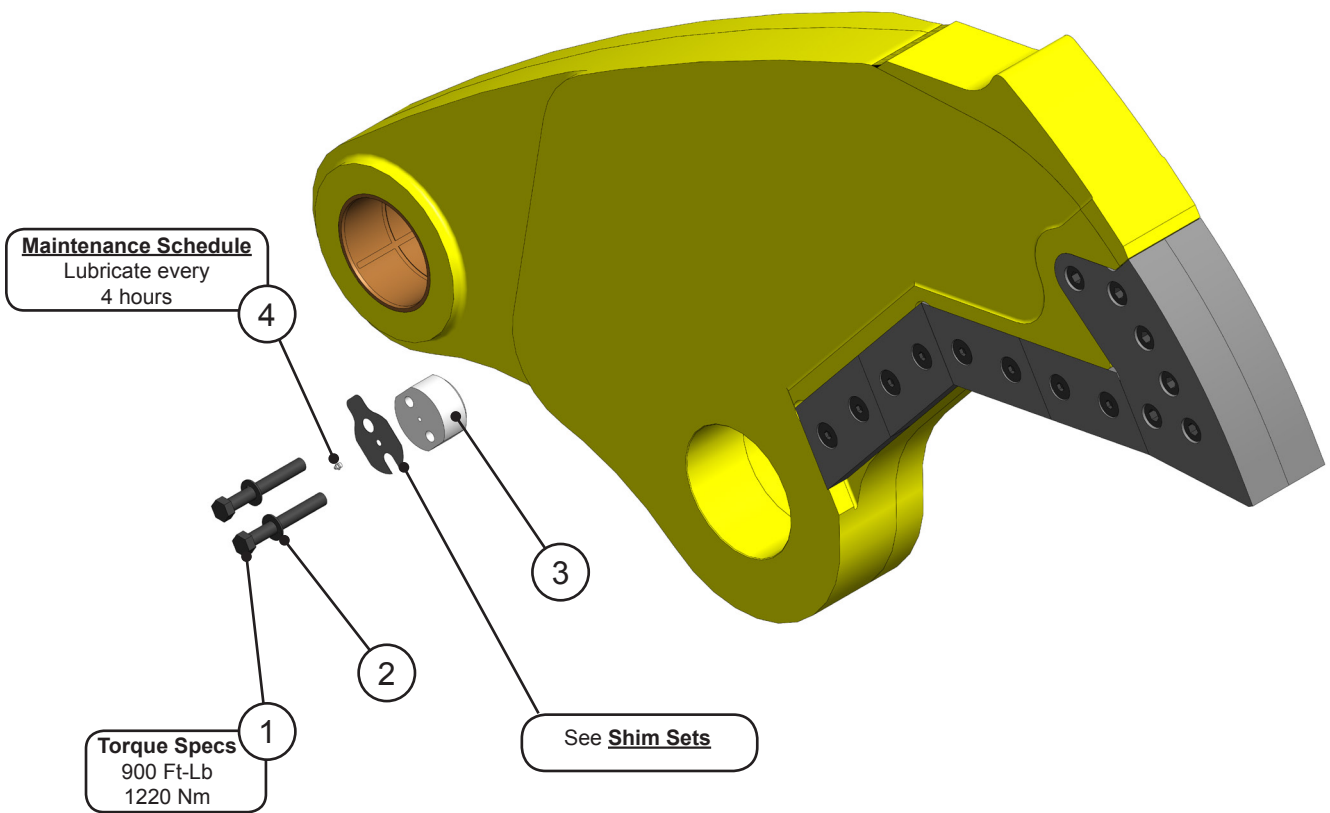
# ASSEMBLY UPPER BLADES



## ASSEMBLY UPPER BLADES

ITEM	QTY	PART NUMBER	DESCRIPTION
1	2	1107133	Mach Blade
2	1	1107149	Mach Blade Tip Right
3	1	1107150	Mach Blade Tip Left
4	6	F0510800	Flat Head Capscrew 1.00-8 x 8.00
5	2	F0510650	Flat Head Capscrew 1.00-8 x 6.50
6	5	1107201	Mach Bolt Socket Head Capscrew 1.25-7 x 5.625
7	8	F0910008	Hex Nut 1.00-8
8	8	F1300100	Flat Washer Narrow 1.00

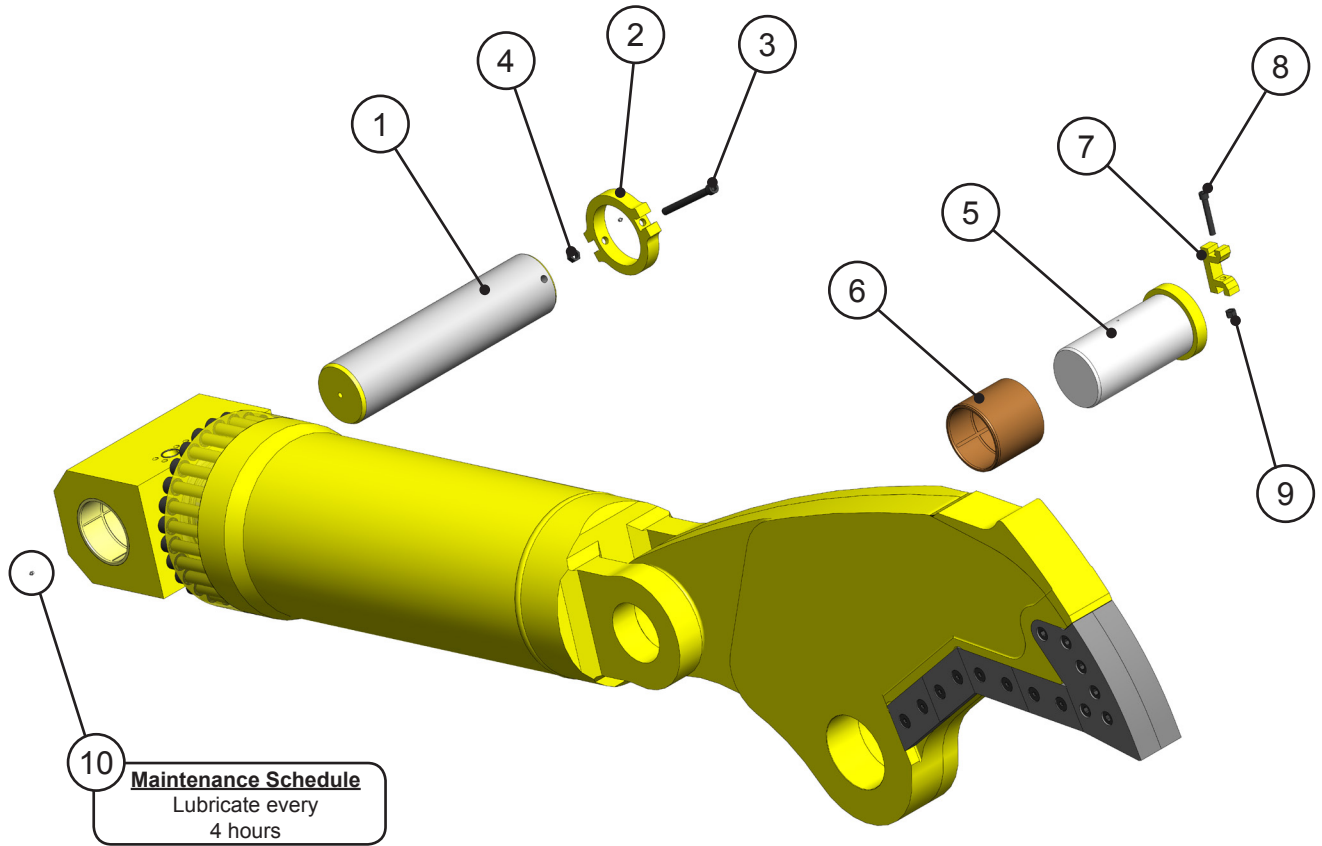
# ASSEMBLY AUTO GUIDE



## ASSEMBLY AUTO GUIDE

ITEM	QTY	PART NUMBER	DESCRIPTION
1	2	F0210500	Hex Head Capscrew 1.00-8 x 5.00
2	2	F1300100	Flat Washer Narrow 1.00
3	1	1105992	Mach Auto Guide
4	1	6200002	Grease Fitting
<b>SHIM SET</b>			
		1106478	Shim Set, Auto Guide

# ASSEMBLY CYLINDER PINS

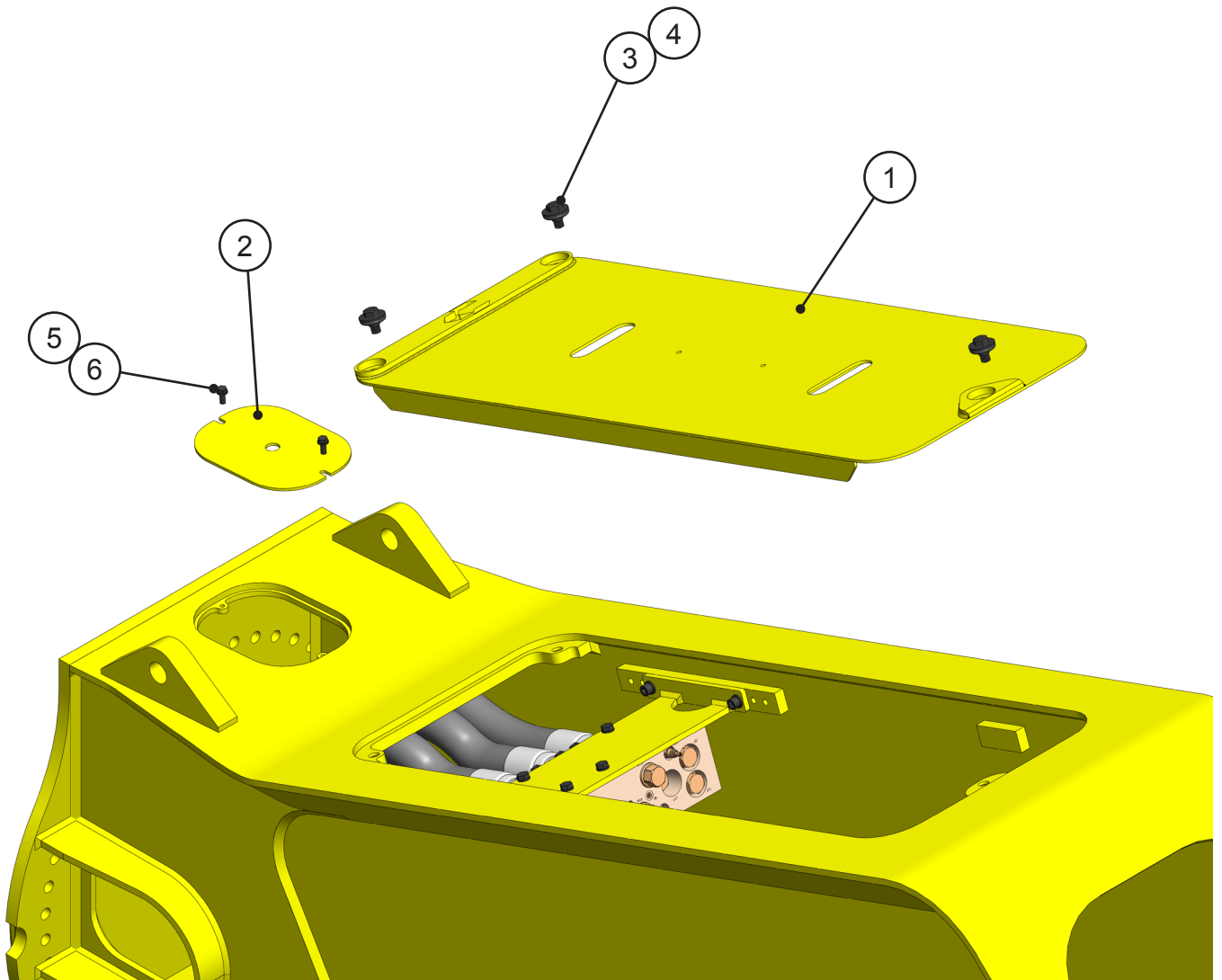




## ASSEMBLY CYLINDER PINS

ITEM	QTY	PART NUMBER	DESCRIPTION
1	1	1107161	Mach Pin Rear
2	1	1104088	Mach Pin Keeper
3	1	F0624280	Socket Head Capscrew M24 x 3.00 x 280
4	1	F0824300	Hex Nut M24 x 3.00
5	1	1107158	Wldt Front Cylinder Pin
6	1	1107165	Mach Bearing Upper Cylinder
7	1	1102487	Mach Pin Keeper
8	1	F0620130	Socket Head Capscrew M20 x 2.50 x 130
9	1	F1020250	Nylock Nut M20 x 2.50
10	1	6200002	Grease Fitting

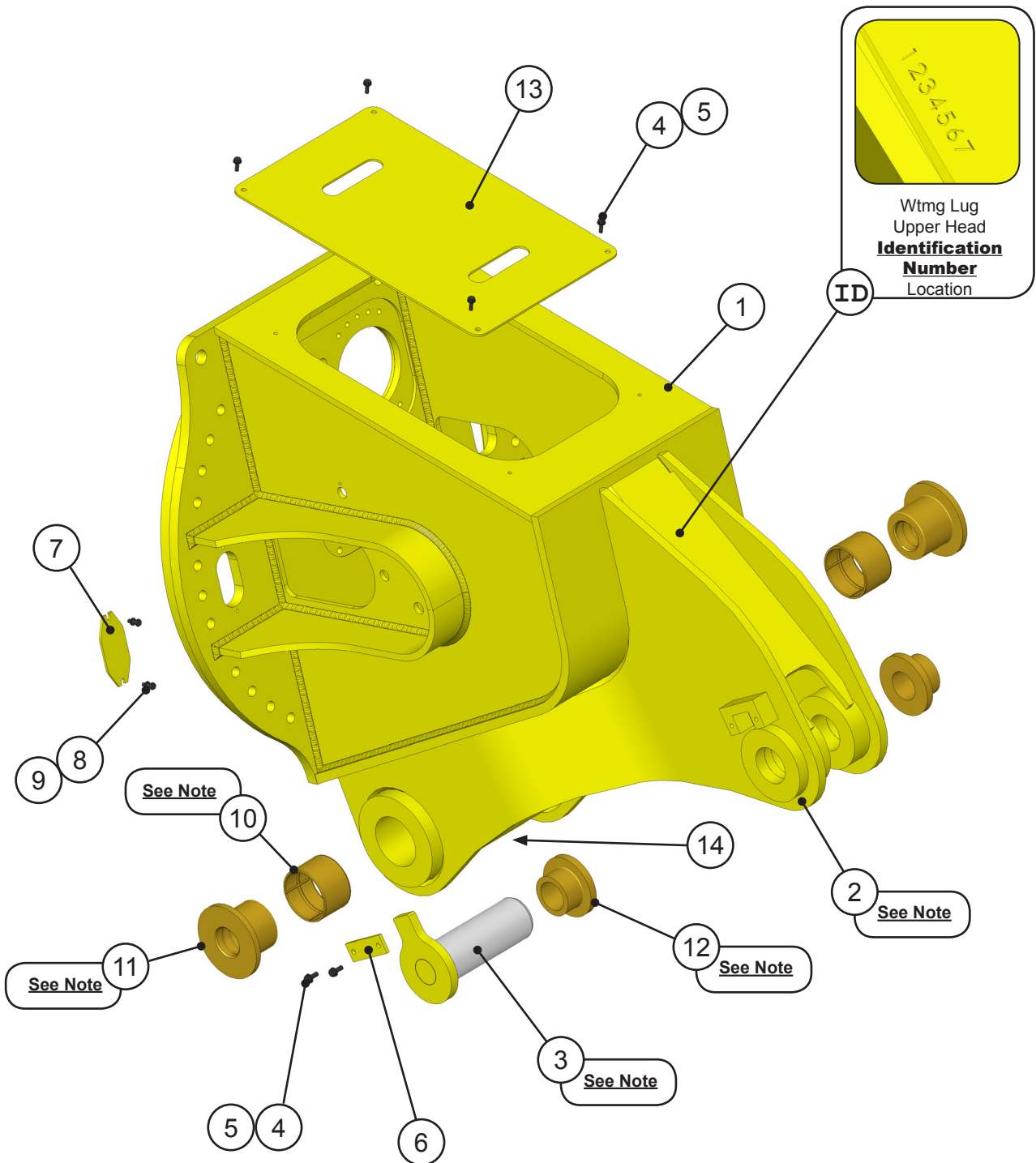
# ASSEMBLY ACCESS COVERS



## ASSEMBLY ACCESS COVERS

ITEM	QTY	PART NUMBER	DESCRIPTION
1	1	1107151	Wldt Cover
2	1	1105865	Plt Rear Cover
3	3	1105854	Mach Shoulder Bolt
4	2	6301112	O-Ring
5	2	F0112030	Hex Head Capscrew M12 x 1.75 x 30
6	2	F1201224	Flat Washer M12

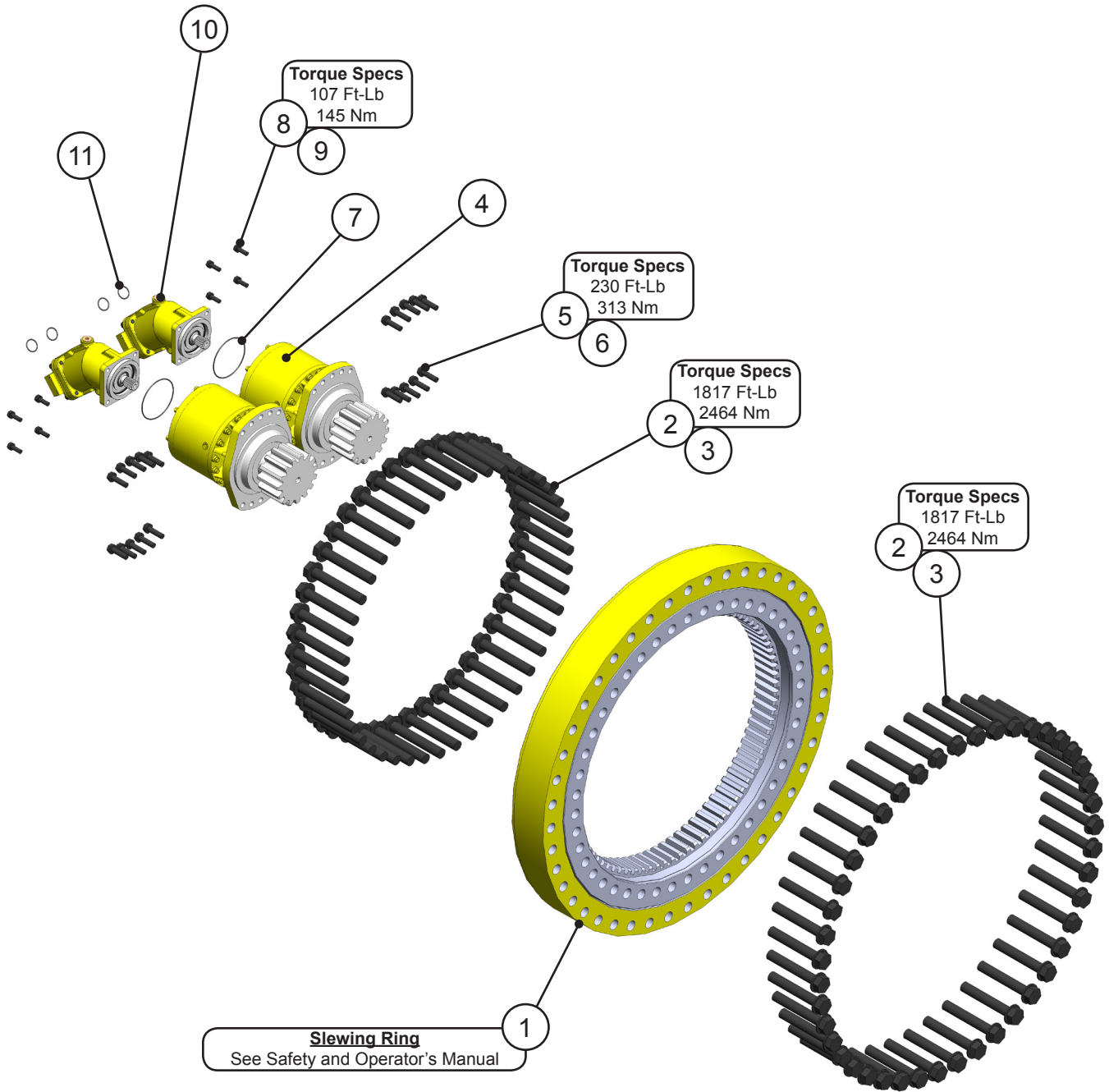
# ASSEMBLY UPPER HEAD



## ASSEMBLY UPPER HEAD

ITEM	QTY	PART NUMBER	DESCRIPTION						
1	1	5514397	Wtmg Sub Head						
2	1	* Note Below	Wtmg Lug Upper Head						
3	1	* Note Below	Wldt Pin						
4	6	F0112030	Hex Head Capscrew M12 x 1.75 x 30						
5	6	F1201224	Flat Washer M12						
6	1	5500752	Plt Strap						
7	2	1105883	Plt Bolt Cover						
8	4	F0110030	Hex Head Capscrew M10 x 1.50 x 30						
9	4	F1201021	Flat Washer M10						
10	2	* Note Below	Mach Bearing						
11	2	* Note Below	Mach Boom Bearing						
12	2	* Note Below	Mach Spacer Sleeve						
13	1	1107293	Mach Sub Head Cover						
14	1	6200002	Grease Fitting						
<p>* Wtmg Lug Upper Head Part Number is Serial Number specific. For replacement parts call the Genesis Parts Department.</p> <table style="width: 100%; border: none;"> <tr> <td style="text-align: center; width: 50%;"><b>USA</b></td> <td style="text-align: center; width: 50%;"><b>Europe</b></td> </tr> <tr> <td style="text-align: center;">715-395-5614</td> <td style="text-align: center;">+49 83 31 9 25 98 0</td> </tr> <tr> <td style="text-align: center;">715-395-3405</td> <td></td> </tr> </table>				<b>USA</b>	<b>Europe</b>	715-395-5614	+49 83 31 9 25 98 0	715-395-3405	
<b>USA</b>	<b>Europe</b>								
715-395-5614	+49 83 31 9 25 98 0								
715-395-3405									

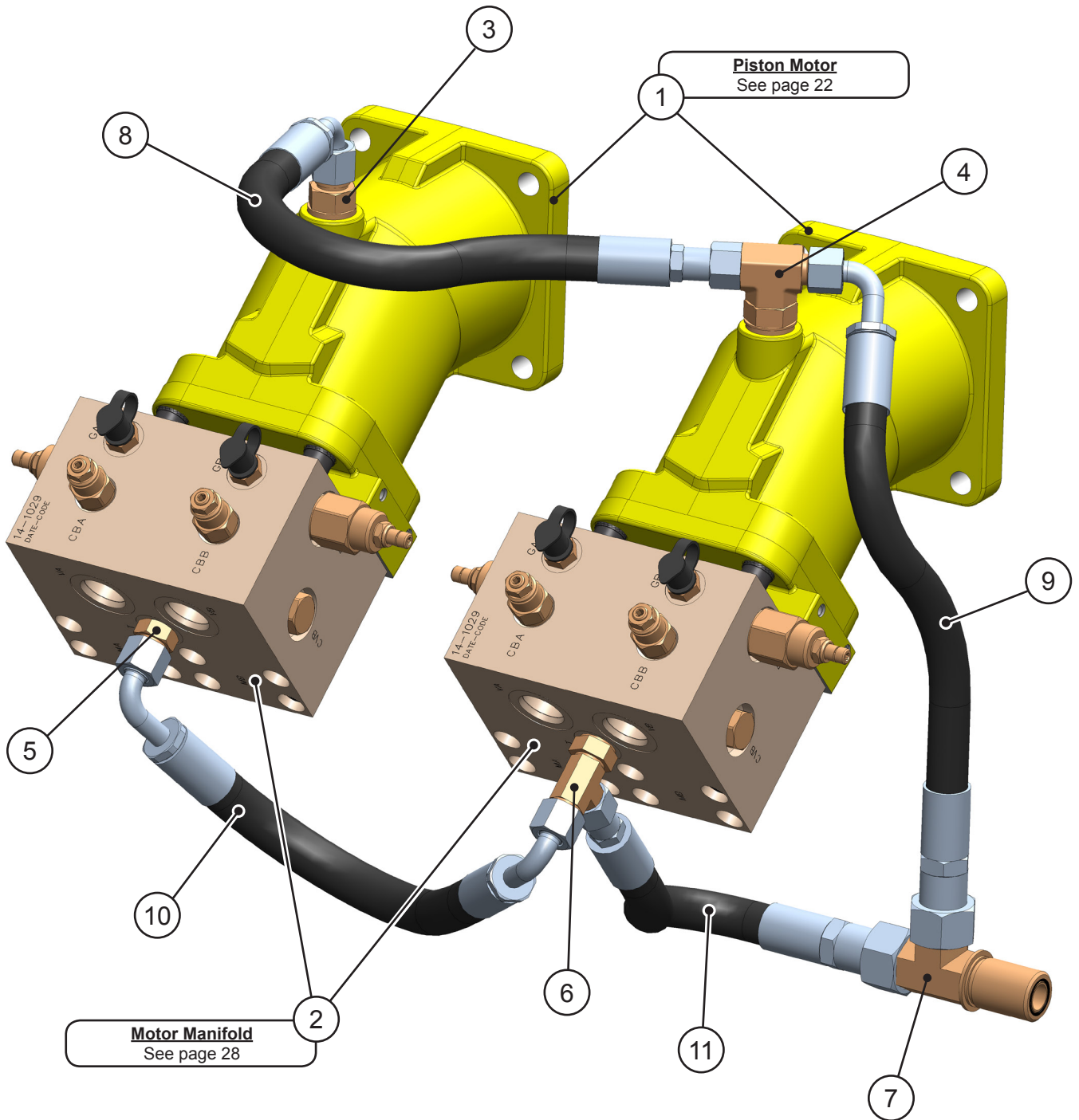
# ASSEMBLY ROTATION - PISTON MOTOR



## ASSEMBLY ROTATION - PISTON MOTOR

ITEM	QTY	PART NUMBER	DESCRIPTION
1	1	6301199	Bearing Slewing
2	88	F0213800	Hex Head Capscrew 1.25-7 x 8.00
3	88	F1300150	Flat Washer 1.25
4	2	6300446	Gearbox
5	20	F0116060	Hex Head Capscrew M16 x 2.00 x 60
6	20	F1201630	Flat Washer M16
7	2	S0190250	O-Ring
8	8	F0250150	Hex Head Capscrew .50-13 x 1.50
9	8	F1500050	Lock Washer .50
10	2	6360025	Piston Motor
11	4	S0190219	O-Ring

# ASSEMBLY ROTATION - MOTOR AND VALVE DRAIN LINES

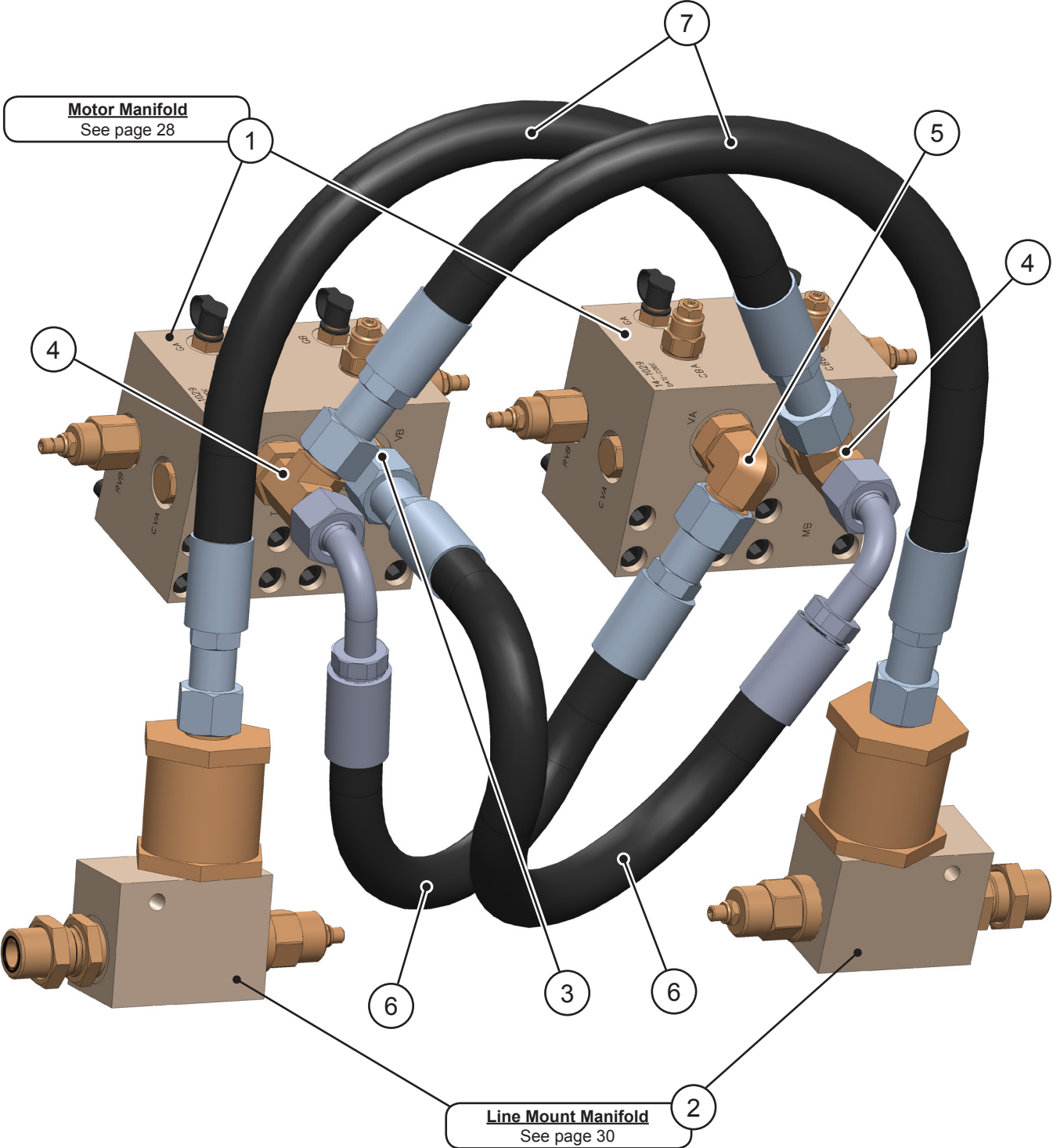




## ASSEMBLY ROTATION - MOTOR AND VALVE DRAIN LINES

ITEM	QTY	PART NUMBER	DESCRIPTION
1	2	See page 22	Piston Motor
2	2	See page 28	Motor Manifold
3	1	6310059	Adaptor 10MB-08MO
4	1	6310188	Adaptor Run Tee 08MPS-10MORB-08MFS
5	1	6300017	Adaptor 08MB-08MO
6	1	6310187	Adaptor Run Tee 08MFS-08MORB-08MFS
7	1	6310185	Adaptor Run Tee 08MFS-10MPS-08MFS BLKHD
8	1	1107299	Assembly Hose Valve Case Drain
9	1	1107300	Assembly Hose Motor Case Drain
10	1	1107297	Assembly Hose Cross Case Drain
11	1	1107298	Assembly Hose Case Drain

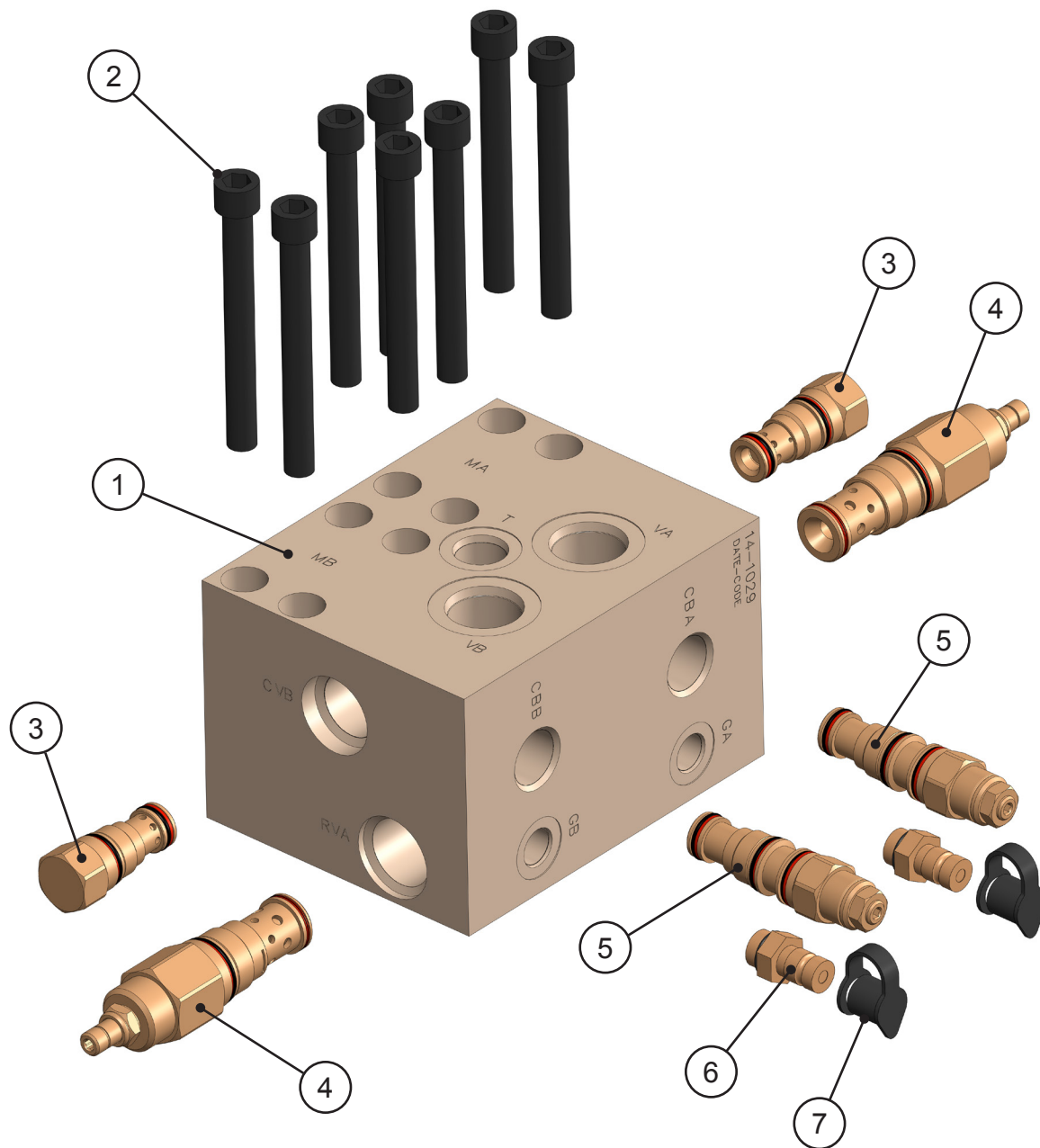
# ASSEMBLY ROTATION - VALVE TO VALVE PLUMBING



## ASSEMBLY ROTATION - VALVE TO VALVE PLUMBING

ITEM	QTY	PART NUMBER	DESCRIPTION
1	2	See page 28	Motor Manifold
2	2	See page 30	Line Mount Manifold
3	1	6300441	Adaptor 12MB-12MO
4	2	6310184	Adaptor Run Tee 12MFS-12MORB-12MFS
5	1	6310036	Adaptor 12MB-12MO-90
6	2	1107296	Assembly Hose Valve Tee
7	1	1107295	Assembly Hose Flow Control

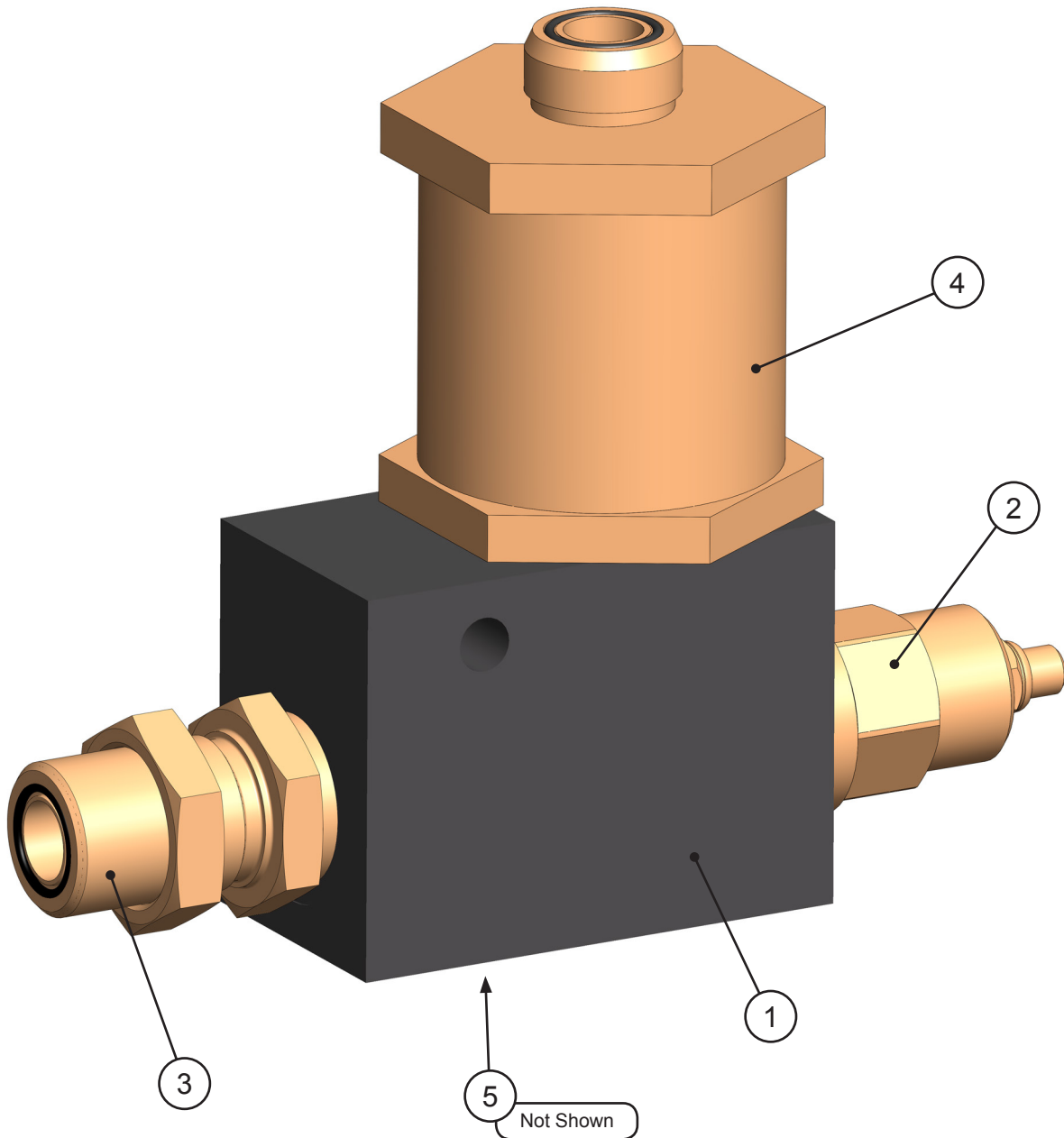
# ASSEMBLY ROTATION - MOTOR MANIFOLD



## ASSEMBLY ROTATION - MOTOR MANIFOLD

ITEM	QTY	PART NUMBER	DESCRIPTION
1	1	6360026	Motor Manifold
2	8	F0744400	Socket Head Capscrew 0.43-14 x 4.00
3	2	6380002	Check Valve
4	2	6360029	Relief Valve
5	2	6360030	Counterbalance Valve
6	2	6300014	Diagnostic Nipple 06MB
7	2	6310001	Diagnostic Nipple Dust Cap

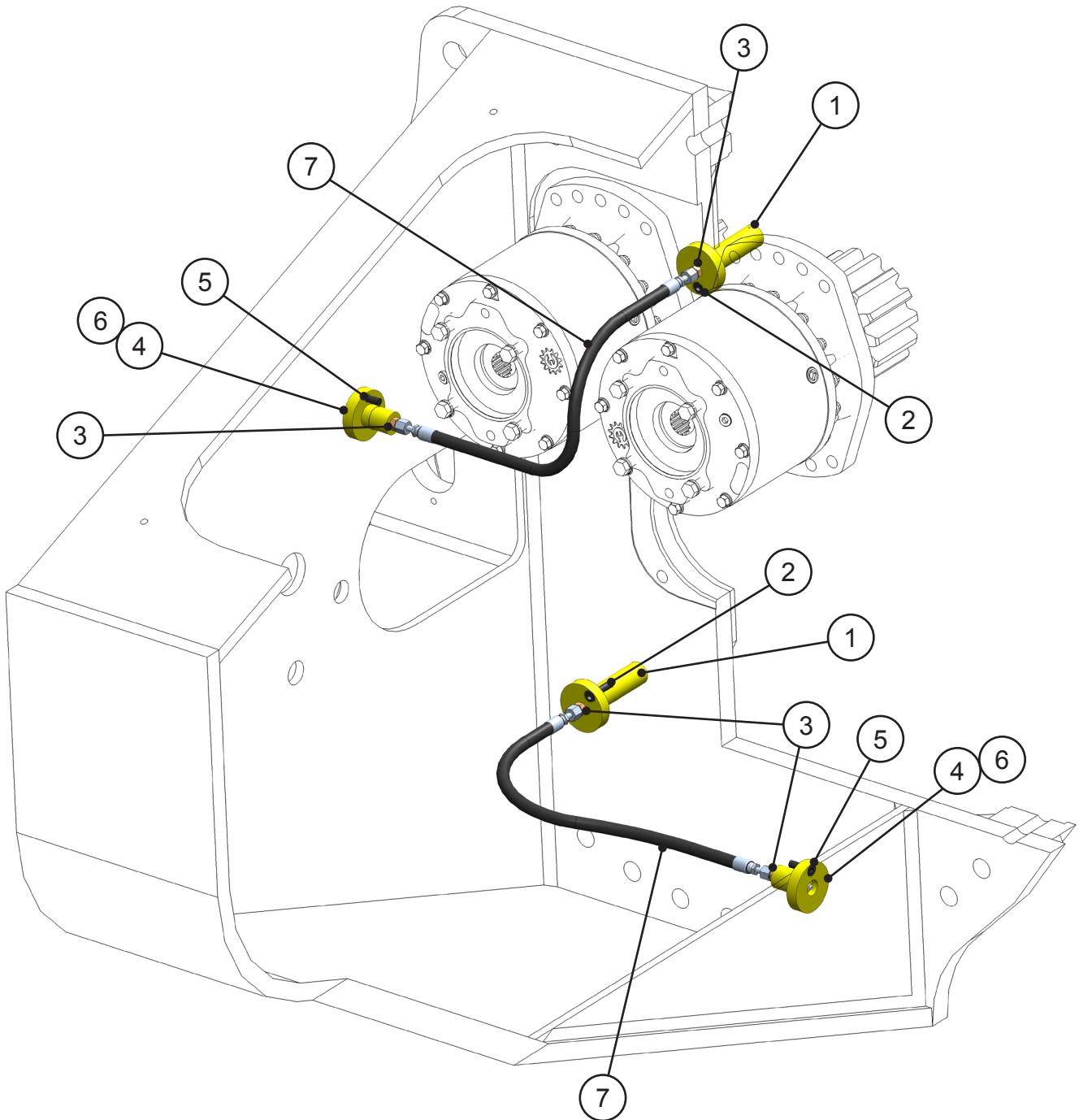
# ASSEMBLY LINE MOUNT MANIFOLD



## ASSEMBLY LINE MOUNT MANIFOLD

ITEM	QTY	PART NUMBER	DESCRIPTION
1	1	6310190	Manifold
2	1	6300720	Flow Control Valve
3	1	6310186	Adaptor 12MFS-Bulkhead-12MORB
4	1	6301211	Filter
5	1	6300582	Plug 04MP

# ASSEMBLY ROTATION - GREASE SYSTEM PLUMBING

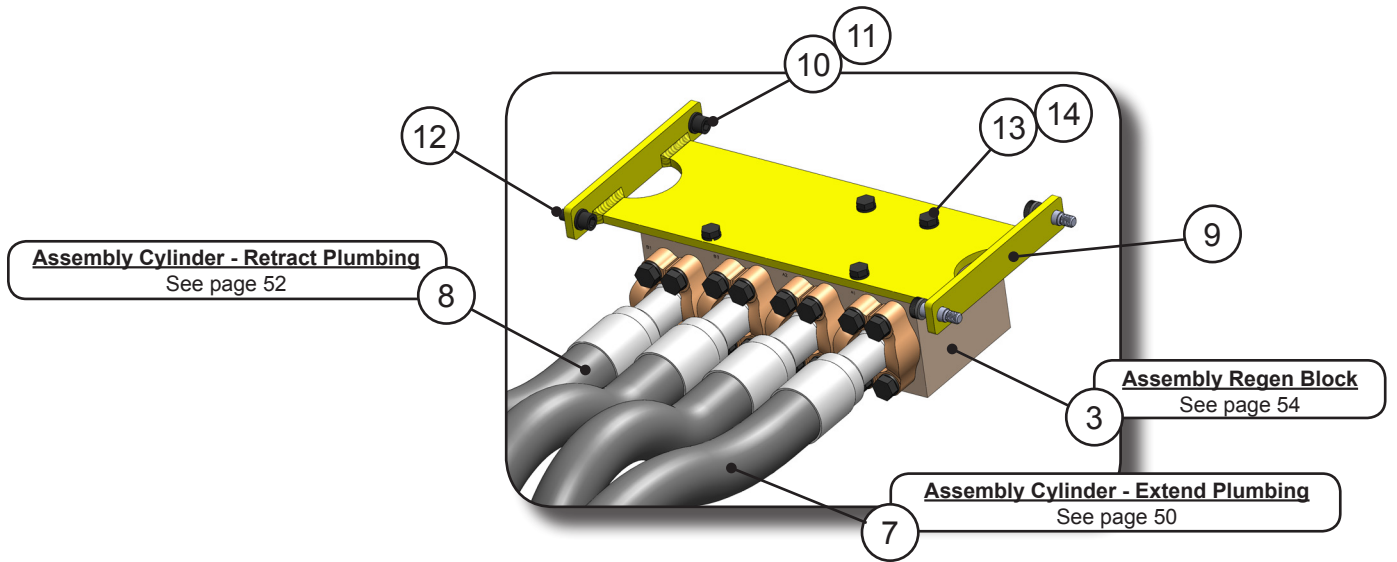
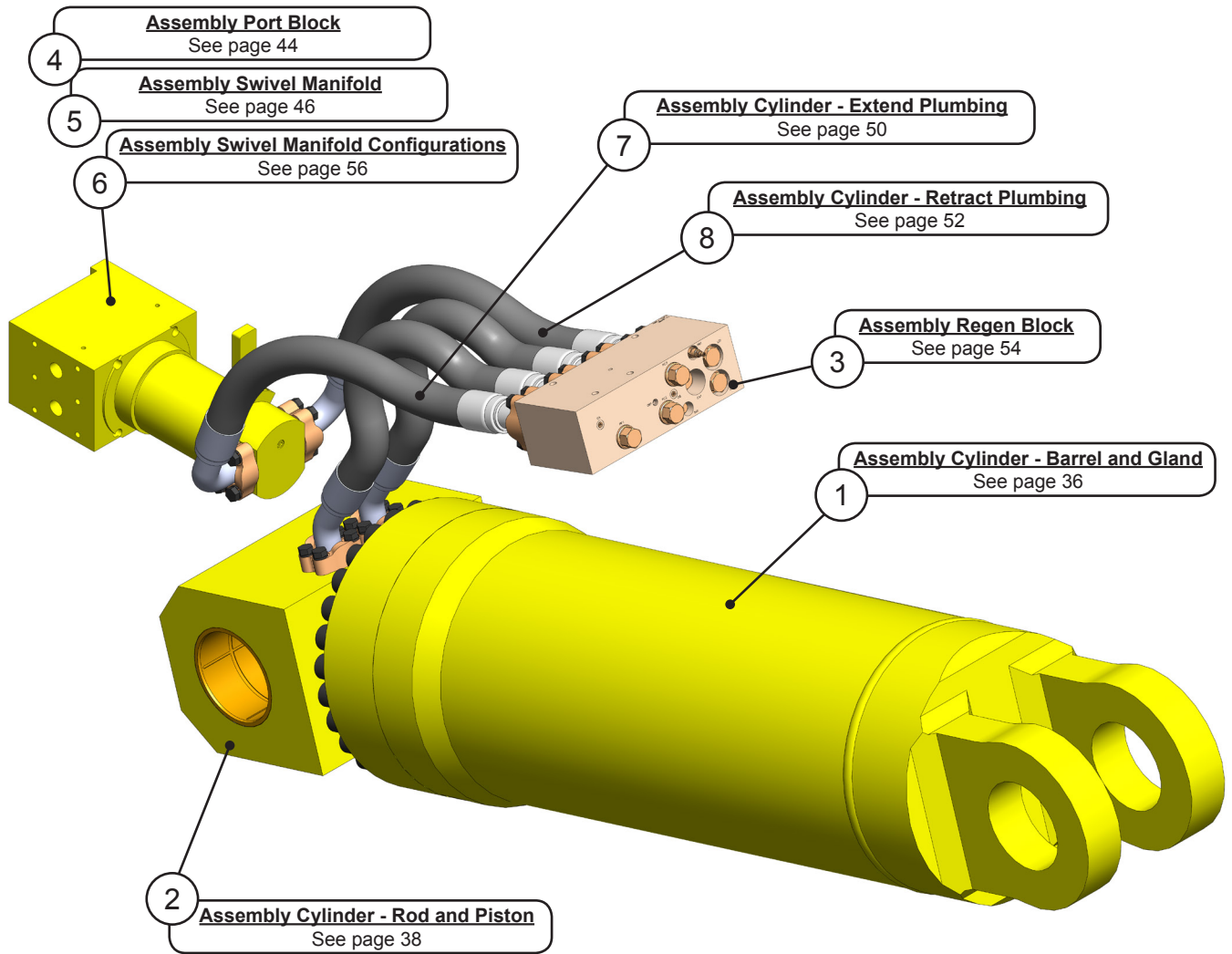




## ASSEMBLY ROTATION - GREASE SYSTEM PLUMBING

ITEM	QTY	PART NUMBER	DESCRIPTION
1	2	5512419	Mach Slewing Ring Grease Adaptor
2	2	F0610035	Socket Head Capscrew M10 x 1.50 x 35
3	4	6300731	Adaptor 02MP-04MO
4	2	5512411	Mach Grease Bulkhead Adaptor
5	2	F0610025	Socket Head Capscrew M10 x 1.50 x 25
6	2	6200002	Grease Fitting
7	1	1107301	Assembly Hose Grease

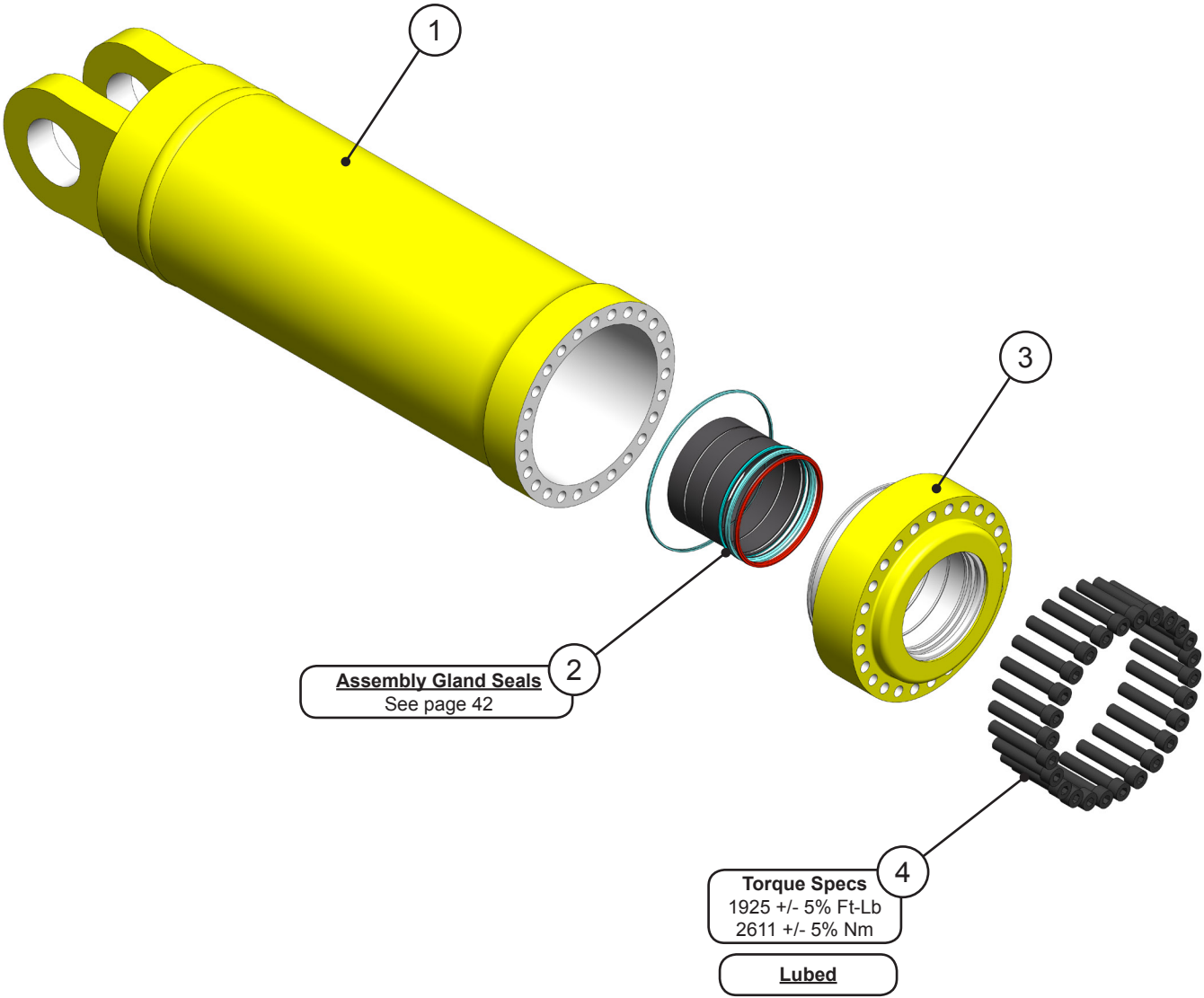
# ASSEMBLY OPEN AND CLOSE CIRCUIT



## ASSEMBLY OPEN AND CLOSE CIRCUIT

ITEM	QTY	PART NUMBER	DESCRIPTION
		6350098	Assembly Cylinder - Complete
1	1	See page 36	Assembly Cylinder - Barrel and Gland
2	1	See page 38	Assembly Cylinder - Rod and Piston
3	1	See page 54	Assembly Regen Block
4	1	See page 44	Assembly Port Block
5	1	See page 46	Assembly Swivel Manifold
6	1	See page 56	Assembly Swivel Manifold Configurations
7	1	See page 50	Assembly Cylinder - Extend Plumbing
8	1	See page 52	Assembly Cylinder - Retract Plumbing
9	1	1107152	Wtmg Valve Tray
10	2	F0616035	Socket Head Capscrew M16 x 2.00 x 35
11	2	F1201630	Flat Washer M16
12	2	F3616040	Socket Head Shoulderscrew M16 x 2.00 x 40
13	4	F0116040	Hex Head Capscrew M16 x 2.00 x 40
14	4	F1401628	Lock Washer M16

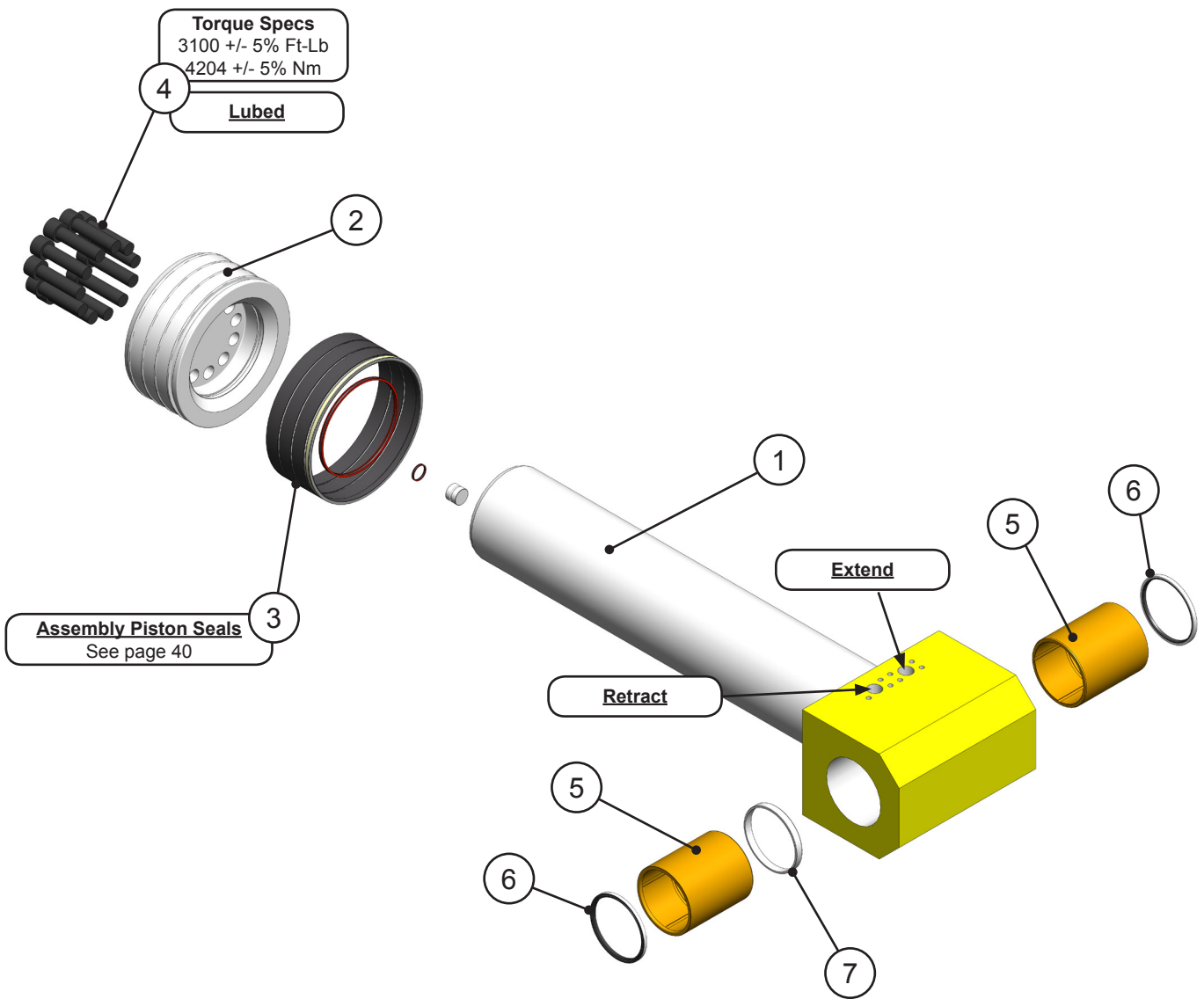
# ASSEMBLY CYLINDER - BARREL AND GLAND



## ASSEMBLY CYLINDER - BARREL AND GLAND

ITEM	QTY	PART NUMBER	DESCRIPTION
		6350098	Assembly Cylinder - Complete
1	1	For replacement parts call the Genesis Parts Department.  USA 715-395-5614 715-395-3405 Europe +49 83 31 9 25 98 0	Butt and Tube Assembly
2	1		Gland Seals
3	1		Gland
4	26		Socket Head Capscrew

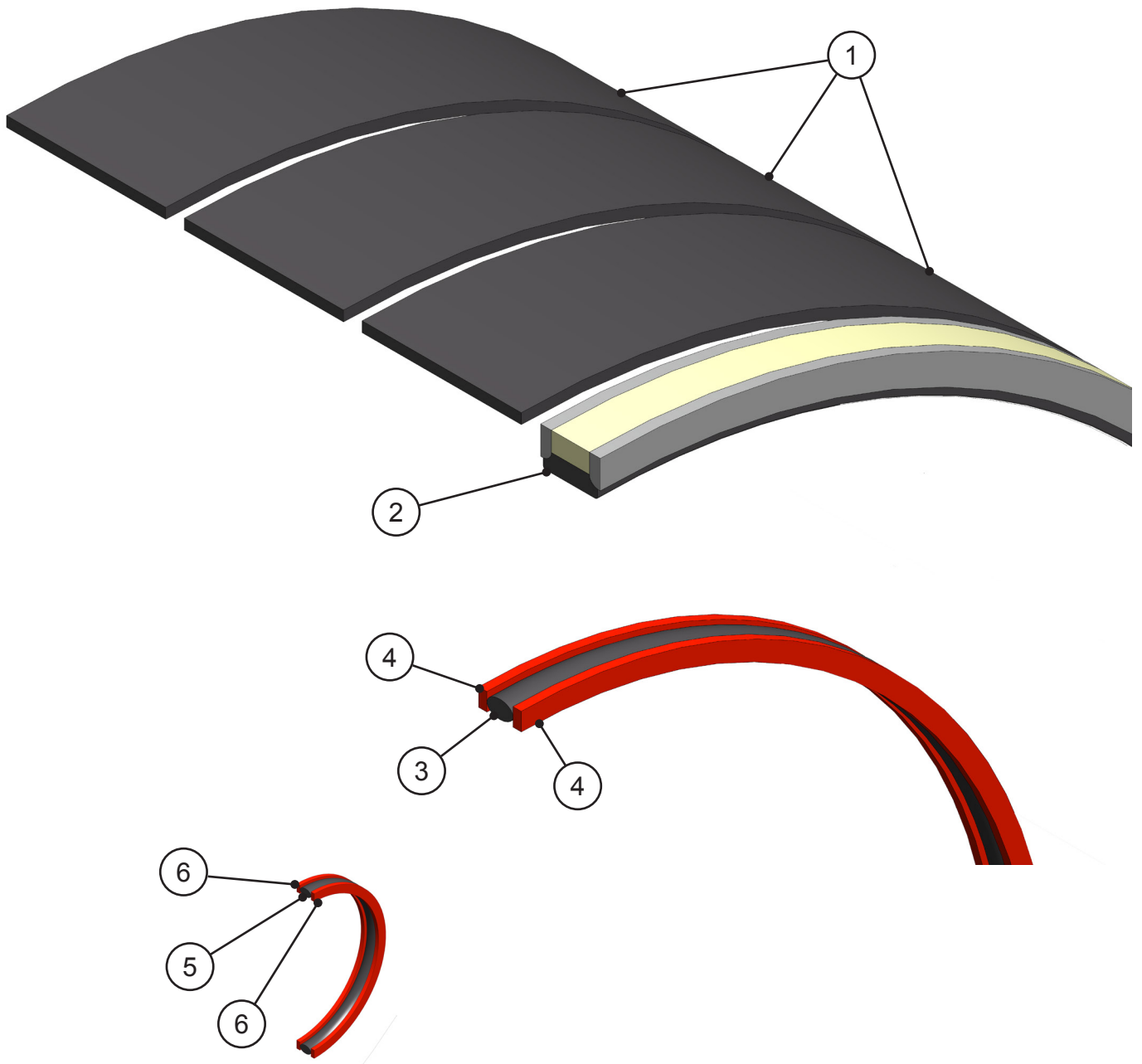
# ASSEMBLY CYLINDER - ROD AND PISTON



## ASSEMBLY CYLINDER - ROD AND PISTON

ITEM	QTY	PART NUMBER	DESCRIPTION
		6350098	Assembly Cylinder - Complete
1	1	For replacement parts call the Genesis Parts Department. USA 715-395-5614 715-395-3405 Europe +49 83 31 9 25 98 0	Rod
2	1		Piston
3	1		Piston Seals
4	11		Socket Head Capscrew
5	2		Bushing
6	2		Pin Wiper
7	1		Spacer

# ASSEMBLY CYLINDER - PISTON SEALS

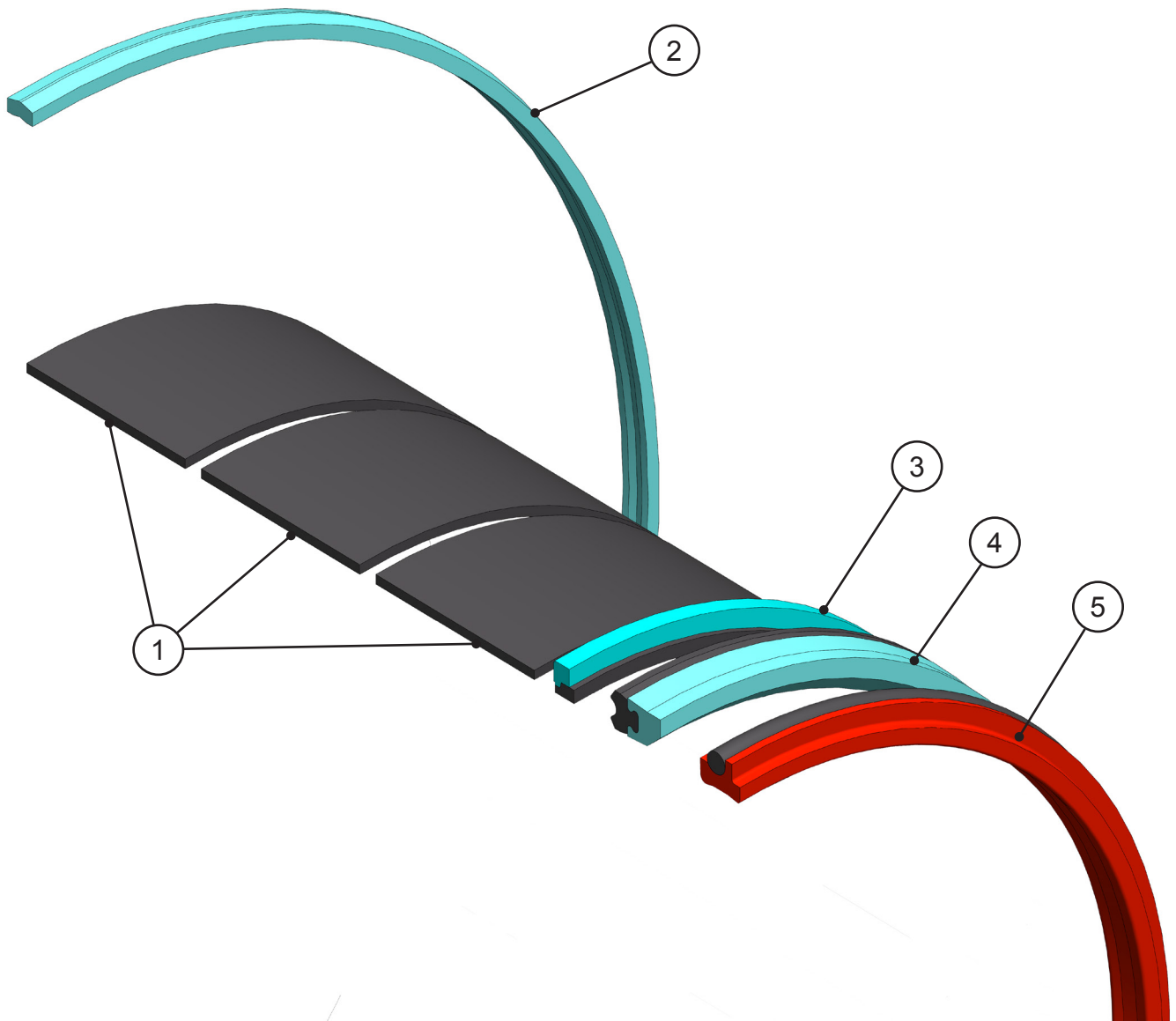




## ASSEMBLY CYLINDER - PISTON SEALS

ITEM	QTY	PART NUMBER	DESCRIPTION
		6350098	Assembly Cylinder - Complete
1	3	For replacement parts call the Genesis Parts Department. USA 715-395-5614 715-395-3405 Europe +49 83 31 9 25 98 0	Bearing Ring
2	1		Capped T-Seal
3	1		O-Ring
4	2		Vented Back Up Washer
5	1		O-Ring
6	2		Back Up Washer

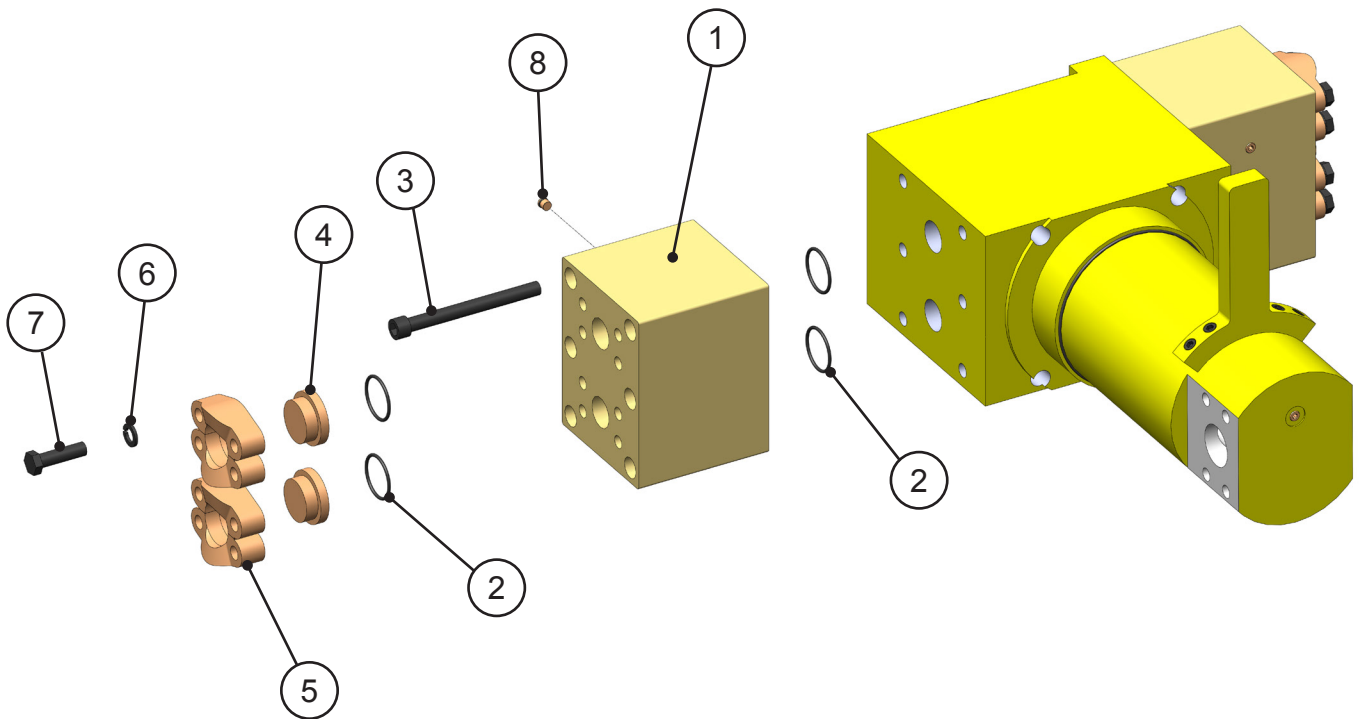
# ASSEMBLY CYLINDER - GLAND SEALS



## ASSEMBLY CYLINDER - GLAND SEALS

ITEM	QTY	PART NUMBER	DESCRIPTION
		6350098	Assembly Cylinder - Complete
1	3	For replacement parts call the Genesis Parts Department. USA 715-395-5614 715-395-3405 Europe +49 83 31 9 25 98 0	Bearing Ring
2	1		Kuver Seal
3	1		Buffer Seal
4	1		Deep Z-Seal with Delta Back Up
5	1		DX Wiper

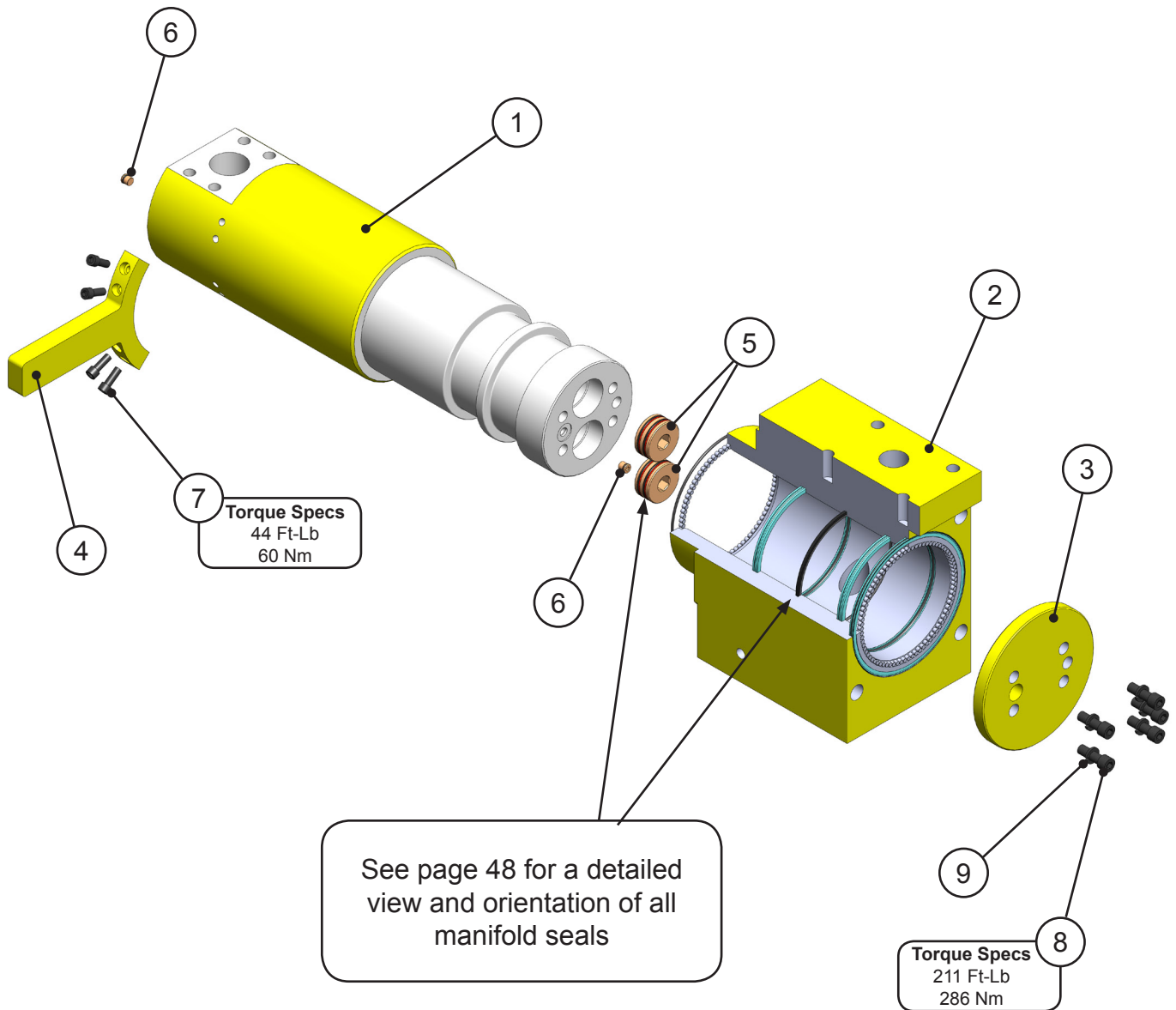
# ASSEMBLY PORT BLOCK



## ASSEMBLY PORT BLOCK

ITEM	QTY	PART NUMBER	DESCRIPTION
1	2	1107290	Mach Port Block
2	8	S0190225	O-Ring
3	12	F0616170	Socket Head Capscrew M16 x 2.00 x 170
4	4	H0362150	Split Flange Plug
5	8	H0262150	Split Flange Half 1.50 Code 62
6	16	F1401628	Lock Washer M16
7	16	F0116060	Hex Head Capscrew M16 x 2.00 x 60
8	2	6300076	Plug Zero-Leak 04

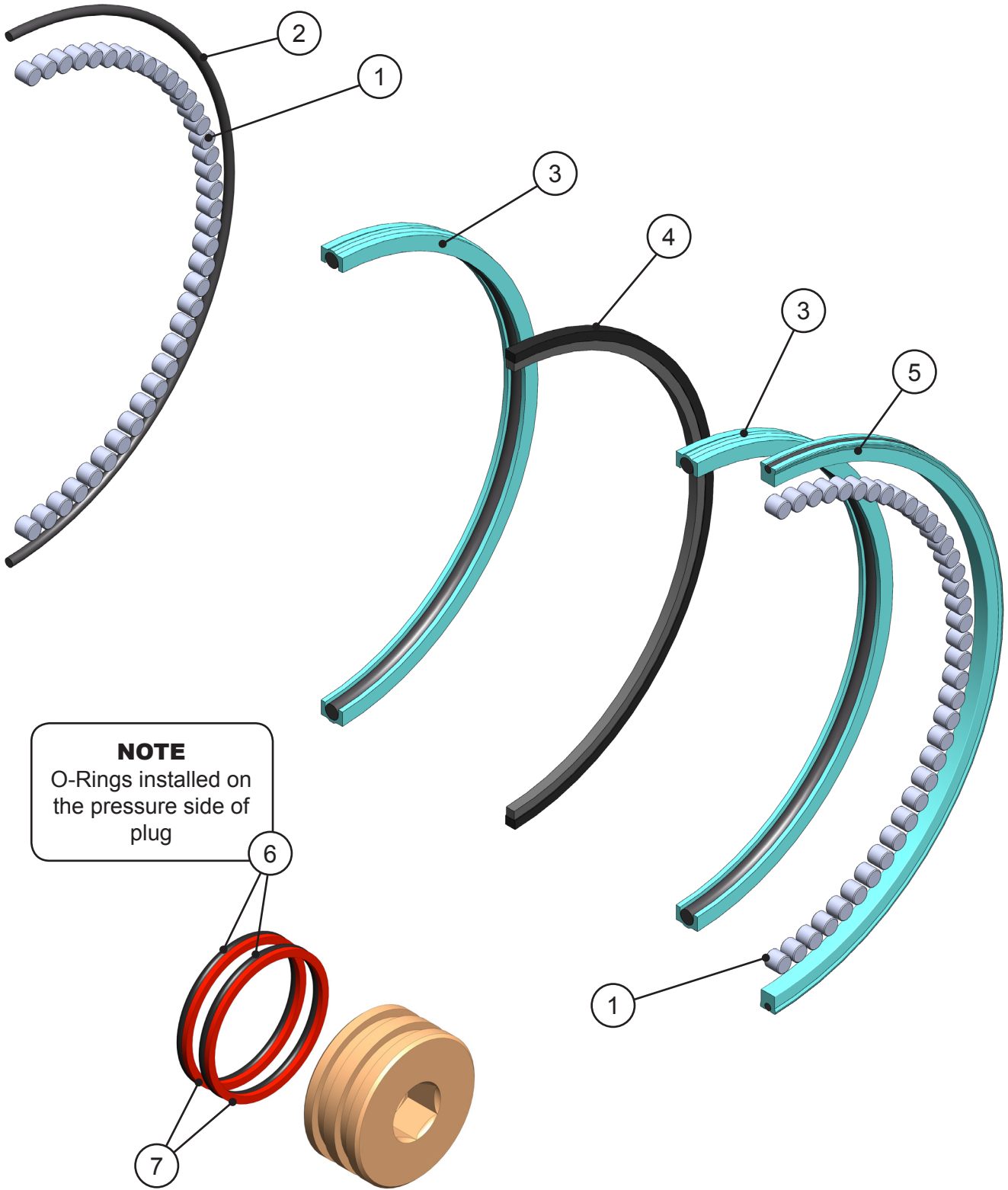
# ASSEMBLY SWIVEL MANIFOLD - 6350095



## ASSEMBLY SWIVEL MANIFOLD - 6350095

ITEM	QTY	PART NUMBER	DESCRIPTION
1	1	For replacement parts call the Genesis Parts Department. USA 715-395-5614 715-395-3405 Europe +49 83 31 9 25 98 0	Spool - 3 Port
2	1		Barrel - 2 Port
3	1		Retaining Plate
4	1		Torque Arm
5	2		Custom Plug
6	2		#4 SAE Plug
7	4		Socket Head Capscrew 3/8-16 x 1
8	5		Socket Head Capscrew 5/8
9	5		Lockwasher 5/8

# ASSEMBLY SWIVEL MANIFOLD PACKING KIT - SK00141

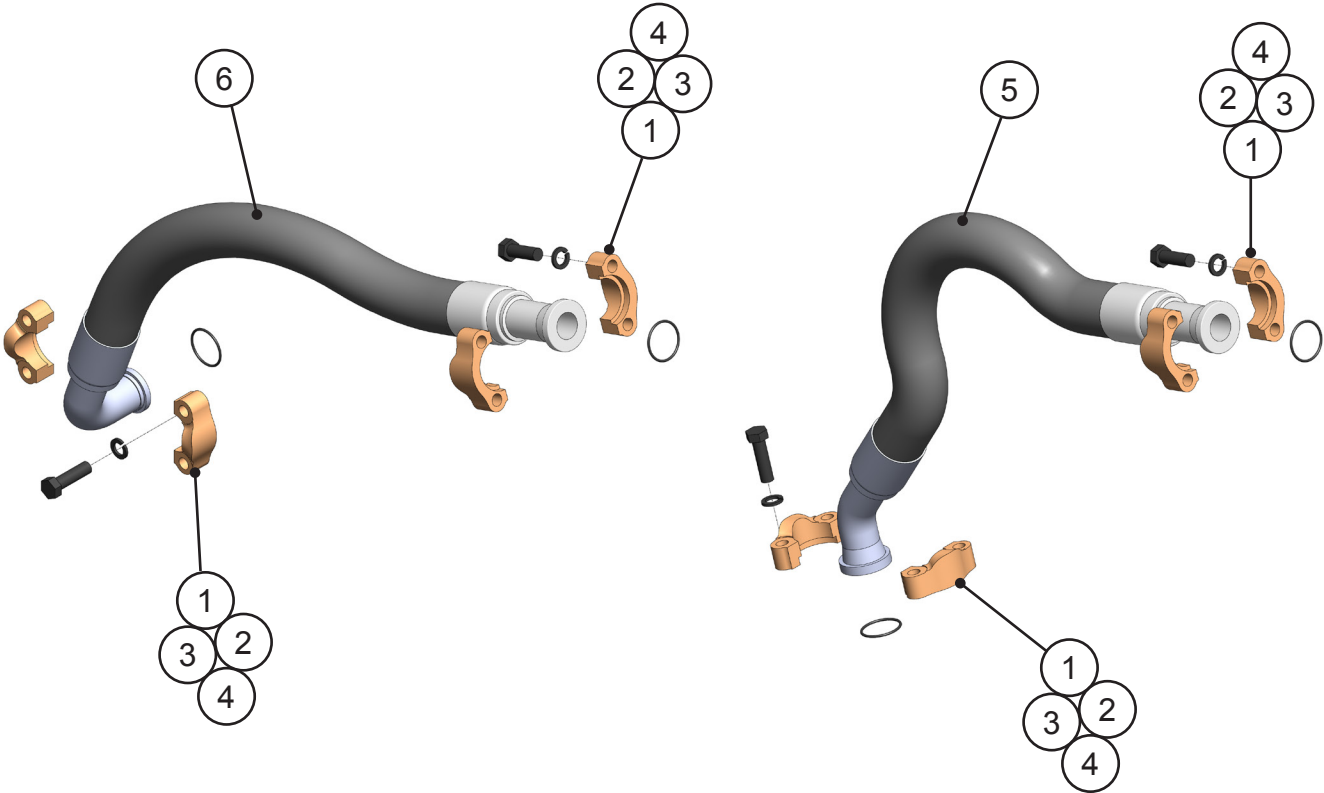




## ASSEMBLY SWIVEL MANIFOLD PACKING KIT - SK00141

ITEM	QTY	PART NUMBER	DESCRIPTION
1	156	These Items ONLY Available in Packing Kit <b>SK00141</b>	Roller Bearing
2	1		O-Ring
3	2		Crown Seal (Rod)
4	1		Seal Kit (Rod)
5	1		Dirt Seal
6	2		O-Ring
7	2		O-Ring Backer

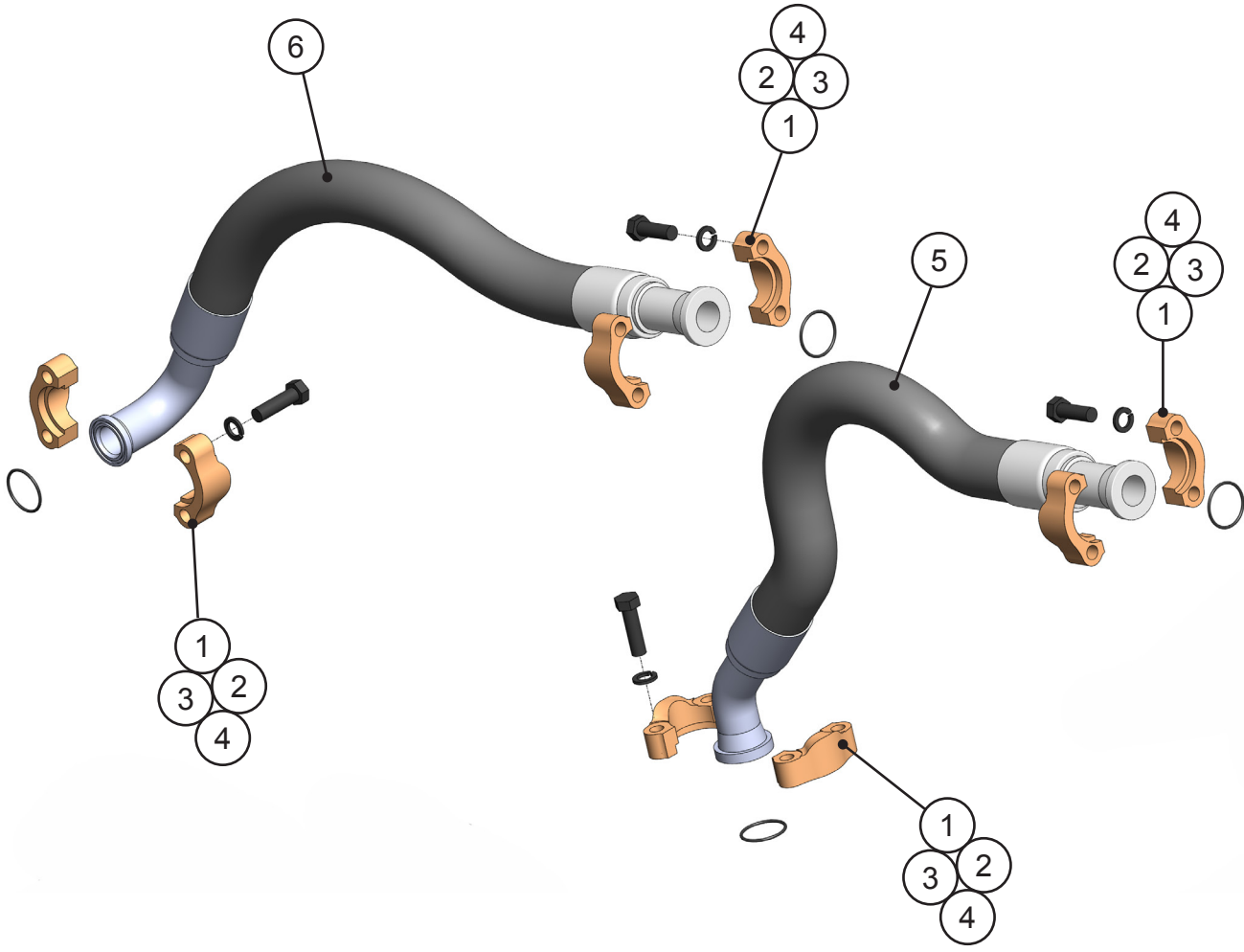
# ASSEMBLY CYLINDER - EXTEND PLUMBING



## ASSEMBLY CYLINDER - EXTEND PLUMBING

ITEM	QTY	PART NUMBER	DESCRIPTION
1	8	H0662200	Split Flange Half 2.00 Code 62
2	4	S0190228	O-Ring
3	16	F0120070	Hex Head Capscrew M20 x 2.50 x 70
4	16	F1402000	Lock Washer M20
5	1	1107211	Hose 32-6WR13-32FLH45-32FLH-38
6	1	1107209	Hose 32-6WR13-32FLH90-32FLH-42 RH

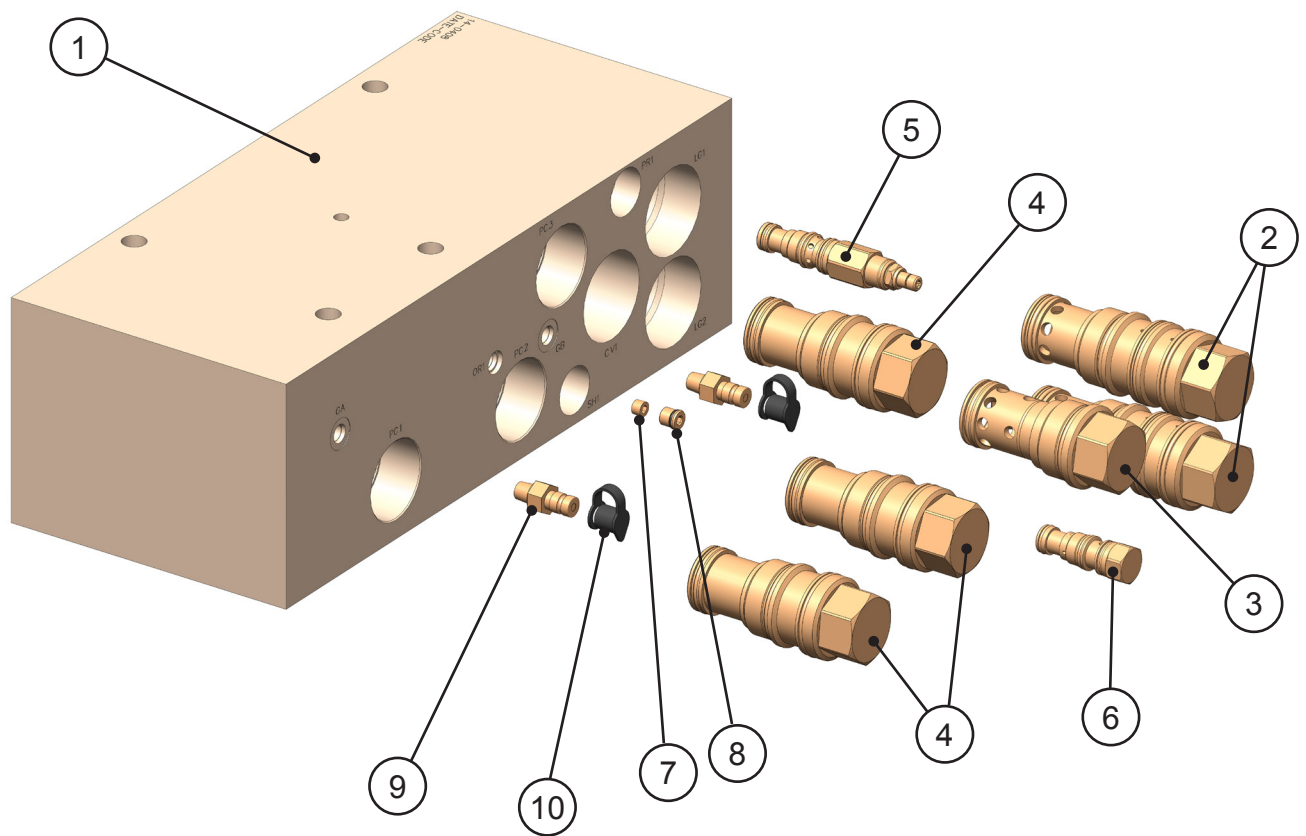
# ASSEMBLY CYLINDER - RETRACT PLUMBING



## ASSEMBLY CYLINDER - RETRACT PLUMBING

ITEM	QTY	PART NUMBER	DESCRIPTION
1	8	H0662200	Split Flange Half 2.00 Code 62
2	4	S0190228	O-Ring
3	16	F0120070	Hex Head Capscrew M20 x 2.50 x 70
4	16	F1402000	Lock Washer M20
5	1	1107211	Hose 32-6WR13-32FLH45-32FLH-38
6	1	1107210	Hose 32-6WR13-32FLH90-32FLH-42 LH

# REGEN BLOCK SUB-ASSEMBLY

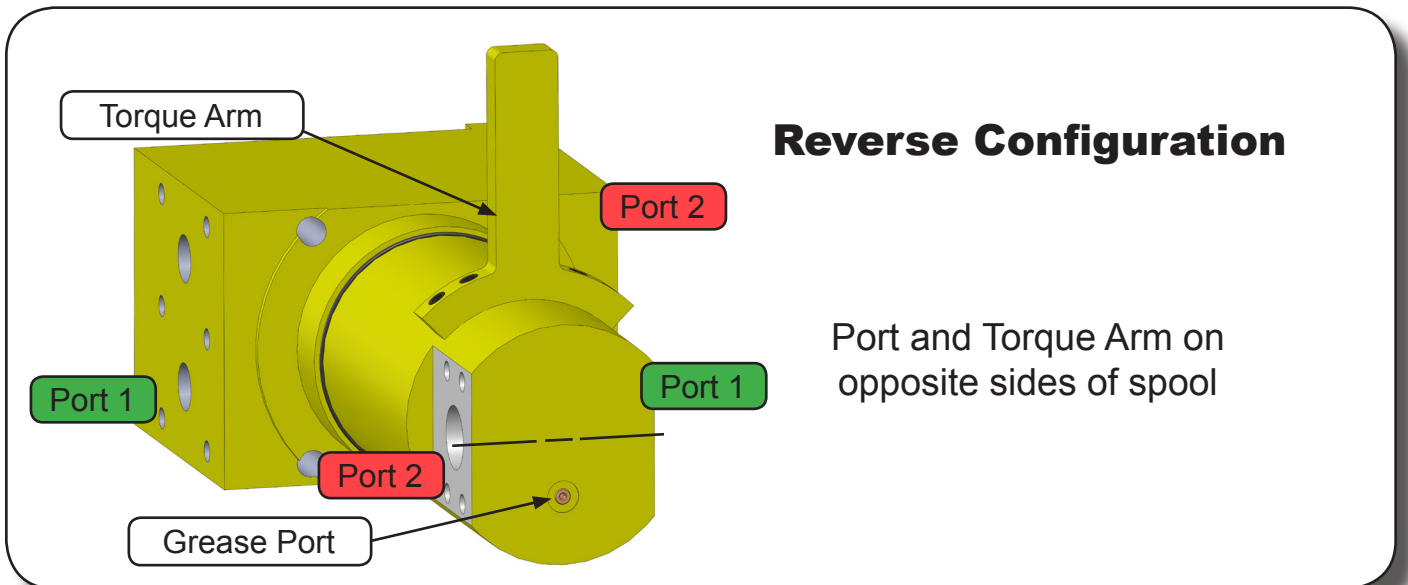
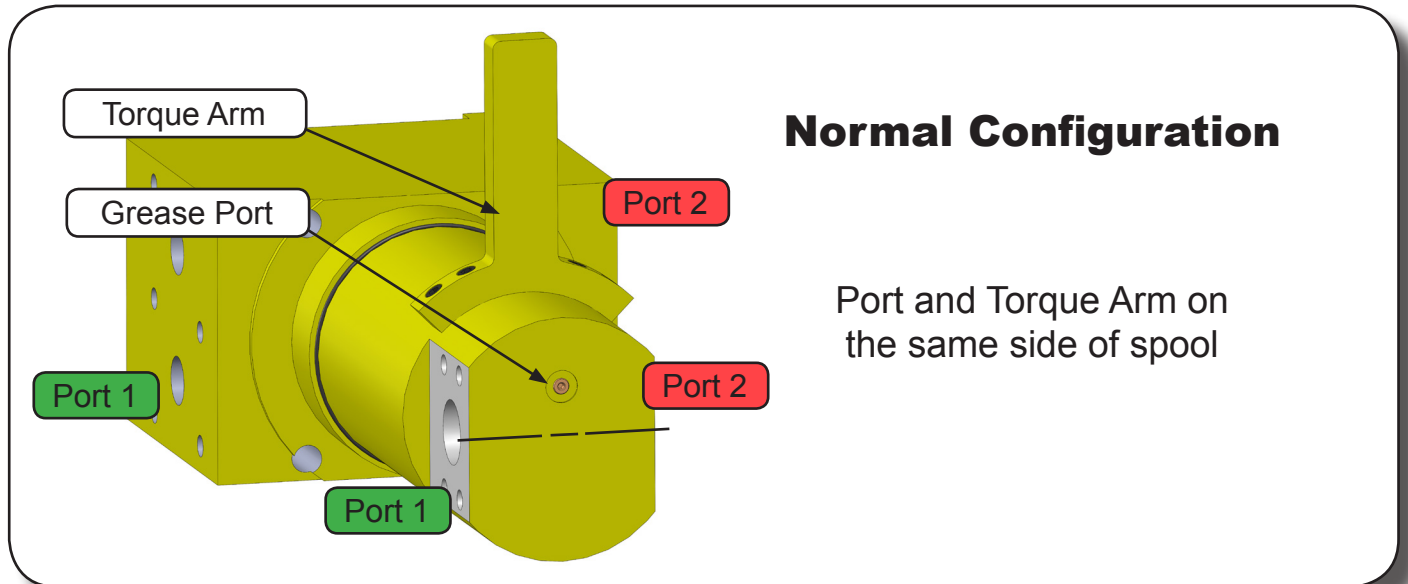


## REGEN BLOCK SUB-ASSEMBLY

ITEM	QTY	PART NUMBER	DESCRIPTION
1	1	6360024	Valve Regen
2	2	6300623	Logic Valve
3	1	6380011	Check Valve
4	3	6300061	Pilot to Close Check Valve
5	1	6300625	Pressure Reducing Valve
6	1	6301200	Shuttle Valve
7	1	6300903	Orifice Plug
8	1	6300075	SAE #2 Plug
9	2	6300088	Diagnostic Nipple
10	2	6310001	Diagnostic Nipple Dust Cap

# ASSEMBLY SWIVEL MANIFOLD CONFIGURATIONS

## Visual Quick Reference





# WARRANTY

## **Claim Procedure**

Notify the Genesis Service Department of the potential warranty claim prior to making the repair. Digital pictures are very helpful for diagnosing problems and recommending repairs.

Contact the Genesis Service Department before making alterations, changes or repairs to any component that is going to be considered for warranty. Not doing so will void all Genesis warranty consideration.

The Genesis Service Department will issue an authorization number to track the repair costs, outgoing parts, and/or defective parts returning to the factory.

Replacement parts must be ordered using a purchase order number. Shipping is standard ground. Overnight shipping is available by request, and Genesis will not cover the shipping charge.

When the repair is complete, submit an invoice to the Genesis Service Department within 30 days. Include itemized internal labor reporting, parts lists and invoices for outside contractors. Reference the authorization number on all invoices.

When returning parts for warranty consideration, include a copy of any related Genesis paperwork along with any other necessary documentation to ensure proper processing and credit. The Genesis Service Department will provide the necessary forms.

Your account will be credited when the warranty claim is accepted.

## **Blade Warranty**

Standard warranty on blades will only be considered on the first edge, and wear on the edge must be 1/8" radius or less. Genesis does not warranty cutting blades that are cracked or broken from top to bottom (perpendicular to the long edge of the blade). Genesis also does not cover fasteners, the labor to replace wear components or collateral damage, such as blade seats, from broken blades, the piercing blade tang or adjustment plates.

**Please direct any questions to the Genesis Service Department: 715-395-5252**

# PARTS ORDER POLICY AND PROCEDURE

## **Parts Orders Should Include**

- Purchase order number
- Model and serial number of attachment
- Part number and quantity needed
- Shipping and billing address
- Method of shipment or required delivery date

## **Placing Orders**

Orders may be placed by phone, e-mail or fax. To fax an order, use the form on the following page. Contact information is located at the front of this manual.

## **Part Numbers**

Part numbers are listed in a separate Parts Manual or, if included, the Parts section of this manual. Contact the Genesis Parts Department with questions regarding part numbers, availability and pricing.

## **Shipping**

All orders will be shipped best way surface unless an alternate shipping method is requested. Shipping charges are not included in the purchase price of parts.

## **Invoices**

All invoices are due upon receipt. Any accounts with invoices open beyond 60 days are subject to review and may be placed on C.O.D. status without further notice.

## **Returns**

Unused Genesis parts may be returned with proper documentation. Return shipping is the responsibility of the purchaser. Credit will be issued upon return, less a 20% restocking fee. Documentation is required for credit of returned parts. Contact the Genesis Parts Department at 715-395-5252 for a RGA (Return Goods Authorization) number and form.

## **Return Goods Authorization**

All parts returned to Genesis for warranty consideration must be returned with a completed RGA (Return Goods Authorization) provided by the Genesis Parts Department. The form needs to be completed in its entirety, including any additional information requested by the Parts or Service Department. Return freight is the responsibility of the shipper and will be credited upon claim approval. A determination to accept or deny the claim will be made based on the information available to Genesis. Warranty on purchased parts other than wear components is 6 months. There is no warranty period on wear parts or components.



## PARTS ORDER FORM

Customer: \_\_\_\_\_ Date: \_\_\_\_\_  
Phone: \_\_\_\_\_ Contact: \_\_\_\_\_  
Shipping Address: \_\_\_\_\_ Fax: \_\_\_\_\_  
\_\_\_\_\_  
Billing Address: \_\_\_\_\_  
\_\_\_\_\_  
Purchase Order: \_\_\_\_\_ Shipping Method: \_\_\_\_\_  
Model: \_\_\_\_\_ Serial Number: \_\_\_\_\_

Quantity	Part Number	Description	Price

Fax to the Genesis Parts Department at 715-395-3411  
For assistance, call 715-395-5252 or e-mail [genesisparts@genesisattachments.com](mailto:genesisparts@genesisattachments.com)

# INDEX

- #4 SAE Plug 47
- 1102487 Mach Pin Keeper 17
- 1104088 Mach Pin Keeper 17
- 1105609 Mach Blade Guide 11
- 1105610 Mach Guide Blade Adjust Plt 11
- 1105611 Mach Guide Blade Adjust Plt 11
- 1105614 Guide Shim Set, Blade Side 11
- 1105854 Mach Shoulder Bolt 19
- 1105865 Plt Rear Cover 19
- 1105883 Plt Bolt Cover 21
- 1105992 Mach Auto Guide 15
- 1106478 Shim Set, Auto Guide 15
- 1107031 Mach Tie Rod Nut 7, 9
- 1107118 Wtmg Stick 5
- 1107125 Wtmg Upper 5
- 1107126 Mach Bearing 7, 9
- 1107127 Mach Main Shaft 9
- 1107128 Mach Thrust Washer 7, 9
- 1107129 Mach End Cap 7, 9
- 1107130 Mach Tie Rod 7
- 1107132 Shim Set Thrust Washer 7, 9
- 1107133 Mach Blade 11, 13
- 1107134 Blade Shim Set 11
- 1107135 Mach Adjust Plate - Primary Throat 11
- 1107136 Mach Adjust Plate - Primary Apex 11
- 1107137 Mach Adjust Plate - Secondary Apex 11
- 1107138 Mach Adjust Plate - Secondary Chin 11
- 1107139 Mach Blade Razor 11
- 1107149 Mach Blade Tip Right 13
- 1107150 Mach Blade Tip Left 13
- 1107151 Wldt Cover 19
- 1107152 Wtmg Valve Tray 35
- 1107158 Wldt Front Cylinder Pin 17
- 1107161 Mach Pin Rear 17
- 1107165 Mach Bearing Upper Cylinder 17
- 1107201 Mach Bolt Socket Head Capscrew 1.25-7 x 5.625 13
- 1107209 Hose 32-6WR13-32FLH90-32FLH-42 RH 51
- 1107210 Hose 32-6WR13-32FLH90-32FLH-42 LH 53
- 1107211 Hose 32-6WR13-32FLH45-32FLH-38 51, 53
- 1107290 Mach Port Block 45
- 1107293 Mach Sub Head Cover 21
- 1107295 Assembly Hose Flow Control 27
- 1107296 Assembly Hose Valve Tee 27
- 1107297 Assembly Hose Cross Case Drain 25
- 1107298 Assembly Hose Case Drain 25
- 1107299 Assembly Hose Valve Case Drain 25
- 1107300 Assembly Hose Motor Case Drain 25
- 1107301 Assembly Hose Grease 33
- 5500752 Plt Strap 21
- 5512411 Mach Grease Bulkhead Adaptor 33
- 5512419 Mach Slewing Ring Grease Adaptor 33
- 5514397 Wtmg Sub Head 21
- 6200002 Grease Fitting 7, 9, 15, 17, 21, 33
- 6300014 Diagnostic Nipple 06MB 29
- 6300017 Adaptor 08MB-08MO 25
- 6300061 Pilot to Close Check Valve 55
- 6300075 SAE #2 Plug 55
- 6300076 Plug Zero-Leak 04 45
- 6300088 Diagnostic Nipple 55
- 6300441 Adaptor 12MB-12MO 27
- 6300446 Gearbox 23
- 6300582 Plug 04MP 31
- 6300623 Logic Valve 55
- 6300625 Pressure Reducing Valve 55
- 6300720 Flow Control Valve 31
- 6300731 Adaptor 02MP-04MO 33
- 6300903 Orifice Plug 55
- 6301112 O-Ring 19
- 6301199 Bearing Slewing 23
- 6301200 Shuttle Valve 55
- 6301211 Filter 31
- 6310001 Diagnostic Nipple Dust Cap 29, 55
- 6310036 Adaptor 12MB-12MO-90 27
- 6310059 Adaptor 10MB-08MO 25
- 6310184 Adaptor Run Tee 12MFS-12MORB-12MFS 27
- 6310185 Adaptor Run Tee 08MFS-10MPS-08MFS BLKHD 25
- 6310186 Adaptor 12MFS-Bulkhead-12MORB 31
- 6310187 Adaptor Run Tee 08MFS-08MORB-08MFS 25
- 6310188 Adaptor Run Tee 08MPS-10MORB-08MFS 25
- 6310190 Manifold 31
- 6350098 Assembly Cylinder - Complete 35, 37, 39, 41, 43
- 6360024 Valve Regen 55
- 6360025 Piston Motor 23
- 6360026 Motor Manifold 29
- 6360029 Relief Valve 29
- 6360030 Counterbalance Valve 29
- 6380002 Check Valve 29
- 6380011 Check Valve 55
- Assembly Access Covers 5, 18, 19
- Assembly Auto Guide 5, 14, 15
- Assembly Cylinder - Barrel and Gland 5, 35, 36, 37
- Assembly Cylinder - Extend Plumbing 35, 50, 51
- Assembly Cylinder - Gland Seals 42, 43
- Assembly Cylinder Pins 5, 16, 17
- Assembly Cylinder - Piston Seals 40, 41
- Assembly Cylinder - Retract Plumbing 35, 52, 53
- Assembly Cylinder - Rod and Piston 5, 35, 38, 39
- Assembly Line Mount Manifold 5, 30, 31
- Assembly Lower Blades 5, 10, 11
- Assembly Open and Close Circuit 5, 34, 35
- Assembly Pivot Group - Left Side 5, 8, 9
- Assembly Pivot Group - Right Side 5, 6, 7
- Assembly Port Block 5, 35, 44, 45
- Assembly Regen Block 35
- Assembly Rotation - Grease System Plumbing 5, 32, 33
- Assembly Rotation - Motor and Valve Drain Lines 5, 24, 25

# INDEX

- Assembly Rotation - Motor Manifold 5, 28, 29
- Assembly Rotation - Piston Motor 5, 22, 23
- Assembly Rotation - Valve to Valve Plumbing 5, 26, 27
- Assembly Swivel Manifold 5, 35
- Assembly Swivel Manifold - 6350095 46, 47
- Assembly Swivel Manifold Configurations 35, 56
- Assembly Swivel Manifold Packing Kit - SK00141 48, 49
- Assembly Upper Blades 5, 12, 13
- Assembly Upper Head 5, 20, 21
- Back Up Washer 41
- Barrel - 2 Port 47
- Bearing Ring 41, 43
- Buffer Seal 43
- Bushing 39
- Butt and Tube Assembly 37
- Capped T-Seal 41
- Contact Information 2, 62
- Crown Seal (Rod) 49
- Custom Plug 47
- Deep Z-Seal with Delta Back Up 43
- Dirt Seal 49
- DX Wiper 43
- F0110030 Hex Head Capscrew M10 x 1.50 x 30 21
- F0112030 Hex Head Capscrew M12 x 1.75 x 30 19, 21
- F0116040 Hex Head Capscrew M16 x 2.00 x 40 35
- F0116060 Hex Head Capscrew M16 x 2.00 x 60 23, 45
- F0120070 Hex Head Capscrew M20 x 2.50 x 70 51, 53
- F0210200 Hex Head Capscrew 1.00-8 x 2.00 11
- F0210500 Hex Head Capscrew 1.00-8 x 5.00 15
- F0210575 Hex Head Capscrew 1.00-8 x 5.75 11
- F0210700 Hex Head Capscrew 1.00-8 x 7.00 11
- F0213800 Hex Head Capscrew 1.25-7 x 8.00 23
- F0250150 Hex Head Capscrew .50-13 x 1.50 23
- F0412030 Flat Head Capscrew M12 x 1.75 x 30 7, 9
- F0510650 Flat Head Capscrew 1.00-8 x 6.50 13
- F0510700 Flat Head Capscrew 1.00-8 x 7.00 11
- F0510800 Flat Head Capscrew 1.00-8 x 8.00 13
- F0610025 Socket Head Capscrew M10 x 1.50 x 25 33
- F0610035 Socket Head Capscrew M10 x 1.50 x 35 33
- F0612045 Socket Head Capscrew M12 x 1.75 x 45 7, 9
- F0616035 Socket Head Capscrew M16 x 2.00 x 35 35
- F0616050 Socket Head Capscrew M16 x 2.00 x 50 7, 9
- F0616170 Socket Head Capscrew M16 x 2.00 x 170 45
- F0620100 Socket Head Capscrew M20 x 2.50 x 100 7, 9
- F0620130 Socket Head Capscrew M20 x 2.50 x 130 17
- F0624280 Socket Head Capscrew M24 x 3.00 x 280 17
- F0744400 Socket Head Capscrew 0.43-14 x 4.00 29
- F0824300 Hex Nut M24 x 3.00 17
- F0910008 Hex Nut 1.00-8 11, 13
- F1020250 Nylock Nut M20 x 2.50 17
- F1201021 Flat Washer M10 21
- F1201224 Flat Washer M12 19, 21
- F1201630 Flat Washer M16 7, 9, 23, 35
- F1202037 Flat Washer M20 7
- F1300100 Flat Washer Narrow 1.00 11, 13, 15
- F1300150 Flat Washer 1.25 23
- F1401200 Lock Washer M12 7, 9
- F1401628 Lock Washer M16 35, 45
- F1402000 Lock Washer M20 9, 51, 53
- F1500050 Lock Washer .50 23
- F2510100 Set Screw 1.00-8 x 1.00 11
- F3616040 Socket Head Shoulderscrew M16 x 2.00 x 40 35
- General Arrangement 4, 5
- Gland 37
- Gland Seals 37
- H0262150 Split Flange Half 1.50 Code 62 45
- H0362150 Split Flange Plug 45
- H0662200 Split Flange Half 2.00 Code 62 51, 53
- Kuver Seal 43
- Line Mount Manifold 27
- Lockwasher 5/8 47
- Mach Bearing 21
- Mach Boom Bearing 21
- Mach Spacer Sleeve 21
- Motor Manifold 25, 27
- O-Ring 41, 49
- O-Ring Backer 49
- Parts Order Form 59
- Parts Order Policy and Procedure 58
- Pin Wiper 39
- Piston 39
- Piston Motor 25
- Piston Seals 39
- Regen Block Sub-Assembly 5, 54, 55
- Retaining Plate 47
- Rod 39
- Roller Bearing 49
- S0190219 O-Ring 23
- S0190225 O-Ring 45
- S0190228 O-Ring 51, 53
- S0190250 O-Ring 23
- S0190350 O-Ring 7, 9
- Seal Kit (Rod) 49
- Shim Set 11
- SK00141 49
- Socket Head Capscrew 37, 39
- Socket Head Capscrew 3/8-16 x 1 47
- Socket Head Capscrew 5/8 47
- Spacer 39
- Spool - 3 Port 47
- Table of Contents 3
- Torque Arm 47
- Vented Back Up Washer 41
- Warranty 57
- Wldt Pin 21
- Wtmg Lug Upper Head 5, 21



**GENESIS®**

The Promise of Performance.

## CONTACT INFORMATION

### **World Headquarters Genesis Attachments**

1000 Genesis Drive  
Superior, WI 54880 USA

Toll Free: 888-SHEAR-IT  
(888-743-2748)

Phone: 715.395.5252  
Fax: 715.395.5255

E-mail:  
info@genesisattachments.com

### **Europe/Africa/Middle East Genesis GmbH**

Teramostrasse 23  
87700 Memmingen, Germany

Phone: +49 83 31 9 25 98 0  
Fax: +49 83 31 9 25 98 80  
genesis-europe.com

E-mail:  
info@genesis-europe.com

### **Asia Pacific Representative Office**

24 Upper Serangoon View #12-28  
Singapore 534205

Phone: +65 9673 9730

E-mail:  
tchoo@genesisattachments.com

### **Central & South America, The Caribbean**

Cra 13A #89-38 / Ofi 613  
Bogota, Colombia

Phone: +57 1 610 8160 / 795 8747

E-mail:  
contact@themsagroup.com

### **Brazil**

Avenida Araça, 1677  
Campinas - São Paulo

Phone: +55 19 9 9989-8803

E-mail:  
gel@themsagroup.com

View and download all manuals at [genesisattachments.com/manuals.asp](http://genesisattachments.com/manuals.asp)  
Patents: [genesisattachments.com/patents](http://genesisattachments.com/patents)