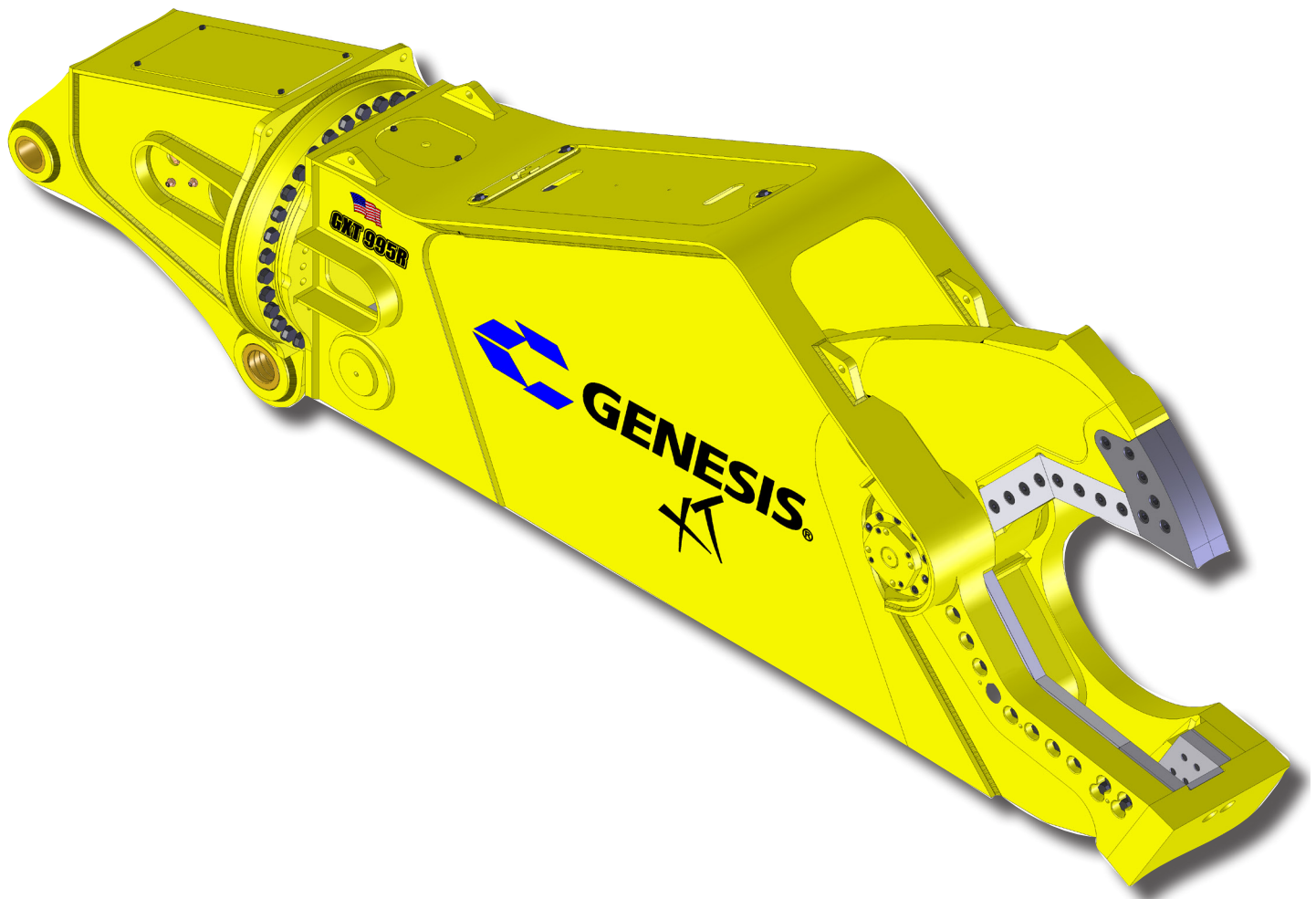




GXT 995R Mobile Shear

PARTS MANUAL



CONTACT INFORMATION

World Headquarters Genesis Attachments

1000 Genesis Drive
Superior, WI 54880 USA

Toll Free: 888-SHEAR-IT
(888-743-2748)

Phone: 715.395.5252
Fax: 715.395.5255

E-mail:
info@genesisattachments.com

Europe/Africa/Middle East Genesis GmbH

Teramostrasse 23
87700 Memmingen, Germany

Phone: +49 83 31 9 25 98 0
Fax: +49 83 31 9 25 98 80
genesis-europe.com

E-mail:
info@genesis-europe.com

Asia Pacific Representative Office

24 Upper Serangoon View #12-28
Singapore 534205

Phone: +65 9673 9730

E-mail:
tchoo@genesisattachments.com

Central & South America, The Caribbean

Cra 13A #89-38 / Ofi 613
Bogota, Colombia

Phone: +57 1 610 8160 / 795 8747

E-mail:
contact@themsagroup.com

Brazil

Avenida Araça, 1677
Campinas - São Paulo

Phone: +55 19 9 9989-8803

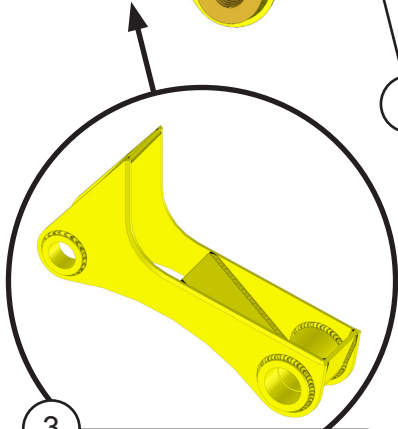
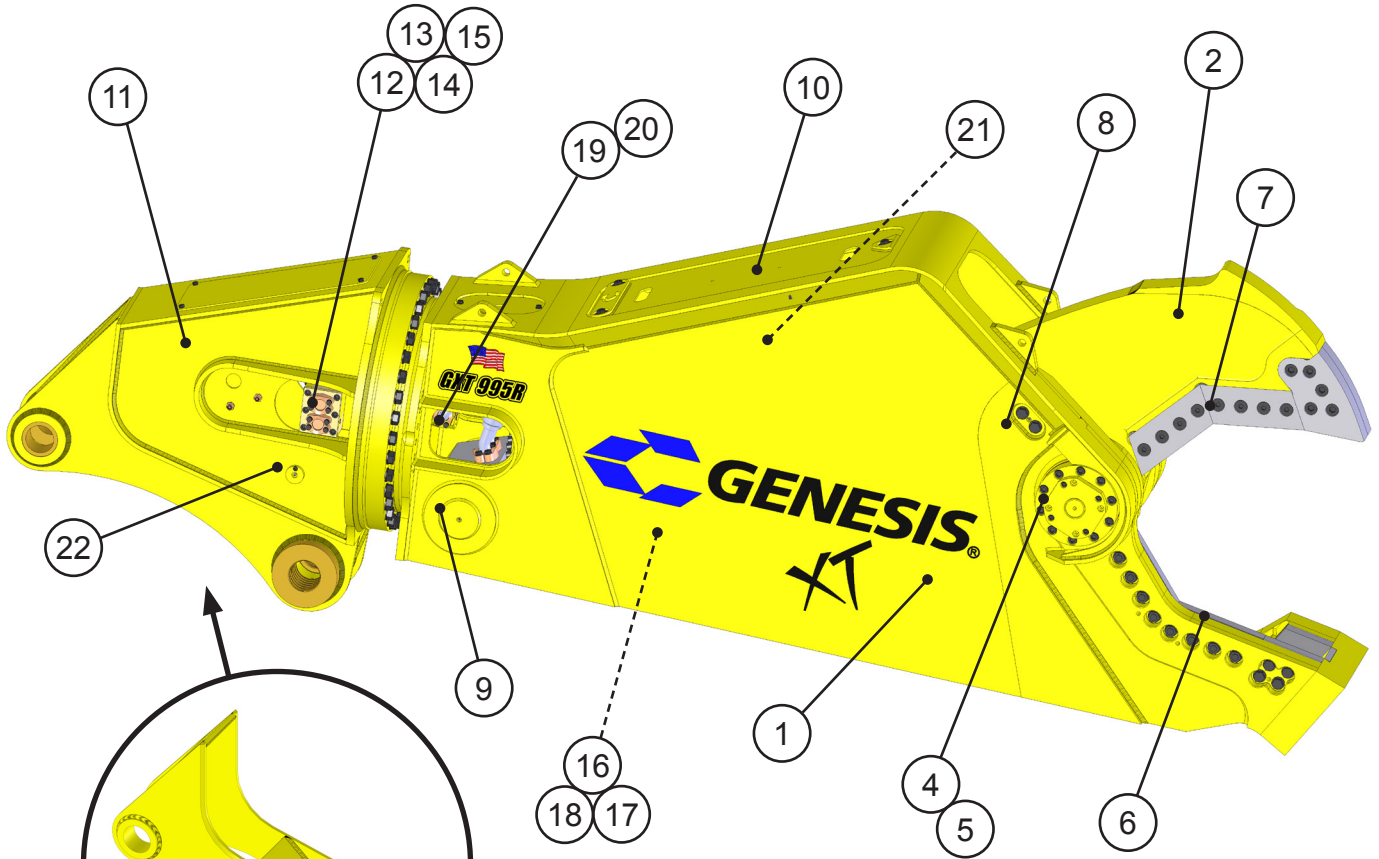
E-mail:
gel@themsagroup.com

View and download all manuals at genesisattachments.com/manuals.asp
Patents: genesisattachments.com/patents

TABLE OF CONTENTS

CONTACT INFORMATION.....	2
GENERAL ARRANGEMENT.....	4
ASSEMBLY PIVOT GROUP - RIGHT SIDE.....	6
ASSEMBLY PIVOT GROUP - LEFT SIDE.....	8
ASSEMBLY LOWER BLADES.....	10
ASSEMBLY UPPER BLADES.....	12
ASSEMBLY AUTO GUIDE.....	14
ASSEMBLY CYLINDER PINS.....	16
ASSEMBLY ACCESS COVERS.....	18
ASSEMBLY UPPER HEAD.....	20
ASSEMBLY ROTATION - PISTON MOTOR.....	22
ASSEMBLY ROTATION CIRCUIT - PISTON MOTOR.....	24
SUB-ASSEMBLY ROTATE CROSS-OVER / C'BAL.....	26
SUB-ASSEMBLY LINE MOUNT MANIFOLD.....	28
ASSEMBLY OPEN AND CLOSE CIRCUIT - 6350081.....	30
ASSEMBLY OPEN AND CLOSE CIRCUIT - 6350092.....	32
ASSEMBLY CYLINDER 6350081 & 6350092 - B16.0 R10.0 S38.0.....	34
ASSEMBLY CYLINDER PACKING KIT.....	36
ASSEMBLY SWIVEL MANIFOLD - 6350082 & 6350093.....	38
ASSEMBLY SWIVEL MANIFOLD PACKING KIT - SK00208 & SK00209.....	40
ASSEMBLY SWIVEL MANIFOLD - 6350082 & 6350093.....	42
ASSEMBLY SWIVEL MANIFOLD PACKING KIT - SK00107 & SK00150.....	44
REGEN BLOCK SUB-ASSEMBLY - 6360021.....	46
REGEN BLOCK SUB-ASSEMBLY - 6360024.....	48
ASSEMBLY SLEWING RING LUBRICATION.....	50
WARRANTY.....	52
PARTS ORDER POLICY AND PROCEDURE.....	53
PARTS ORDER FORM.....	54
INDEX.....	55

GENERAL ARRANGEMENT



3
Wtmg Lug Upper Head
 Part Number is Serial Number specific.
 For replacement parts call the Genesis
 Parts Department.
USA **Europe**
 715-395-5614 +49 83 31 9 25 98 0
 715-395-3405



Serial Number Location
 Facing the left side of shear,
 lower right corner.

GENERAL ARRANGEMENT

ITEM	QTY	PART NUMBER	DESCRIPTION
1	1	1106747	Wtmg Stick
2	1	1106760	Wtmg Upper
3		* Note Below	Wtmg Lug Upper Head
4		See page 6	Assembly Pivot Group - Right Side
5		See page 8	Assembly Pivot Group - Left Side
6		See page 10	Assembly Lower Blades
7		See page 12	Assembly Upper Blades
8		See page 14	Assembly Auto Guide
9		See page 16	Assembly Cylinder Pins
10		See page 18	Assembly Access Covers
11		See page 20	Assembly Upper Head
12		See page 22	Assembly Rotation
13		See page 24	Assembly Rotation Circuit
14		See page 26	Sub-Assembly Rotate Cross-over / C'bal
15		See page 28	Sub-Assembly Line Mount Manifold
16		See page 30 & 32	Assembly Open and Close Circuit
17		See page 34	Assembly Cylinder
18		See page 36	Assembly Cylinder Packing Kit
19		See page 38 & 42	Assembly Swivel Manifold
20		See page 40 & 44	Assembly Swivel Manifold Seal Kit
21		See page 46 & 48	Sub-Assembly Regen Block
22		See page 50	Assembly Slewing Ring Lubrication

* Wtmg Lug Upper Head Part Number is Serial Number specific. For replacement parts call the Genesis Parts Department.

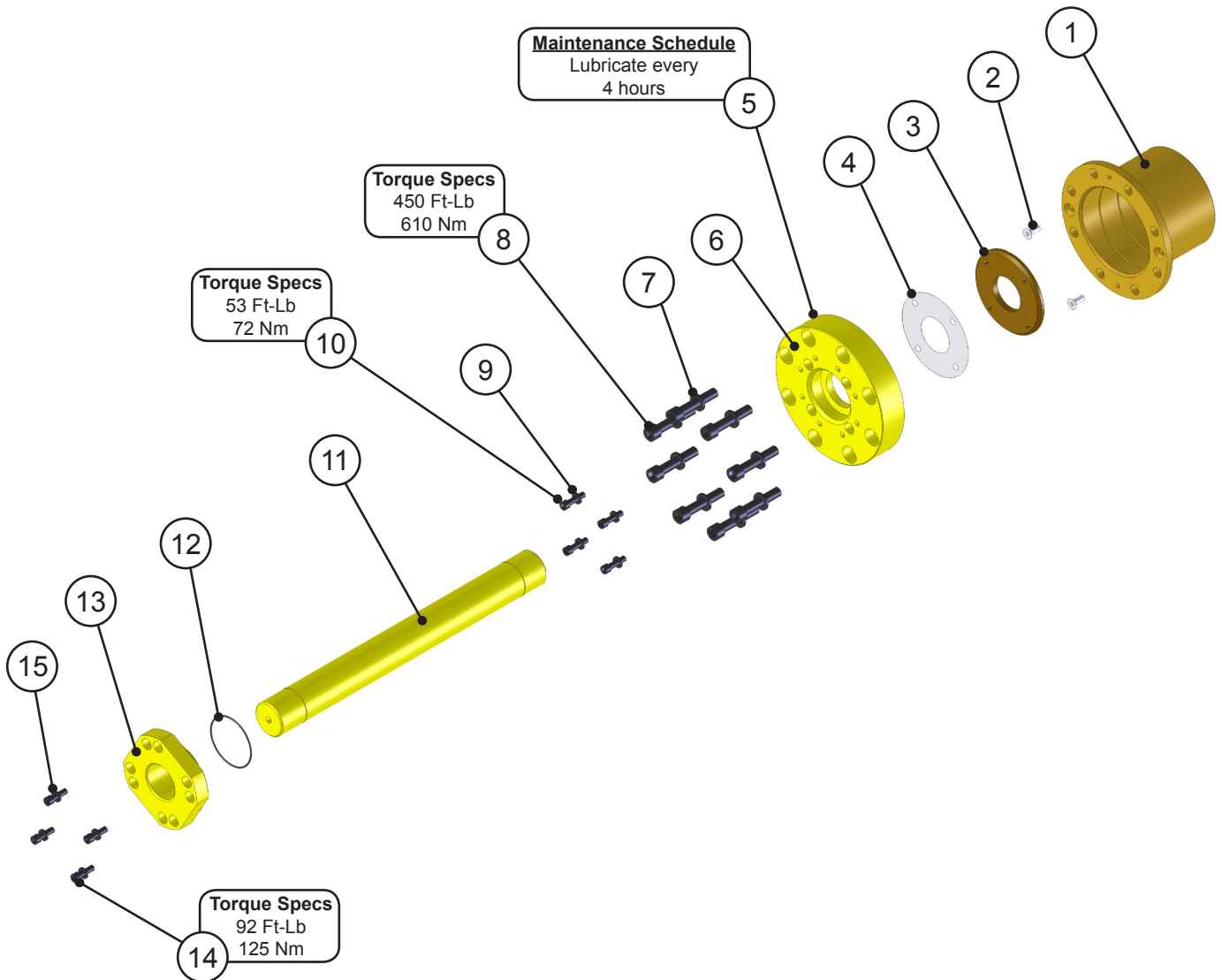
USA

715-395-5614
715-395-3405

Europe

+49 83 31 9 25 98 0

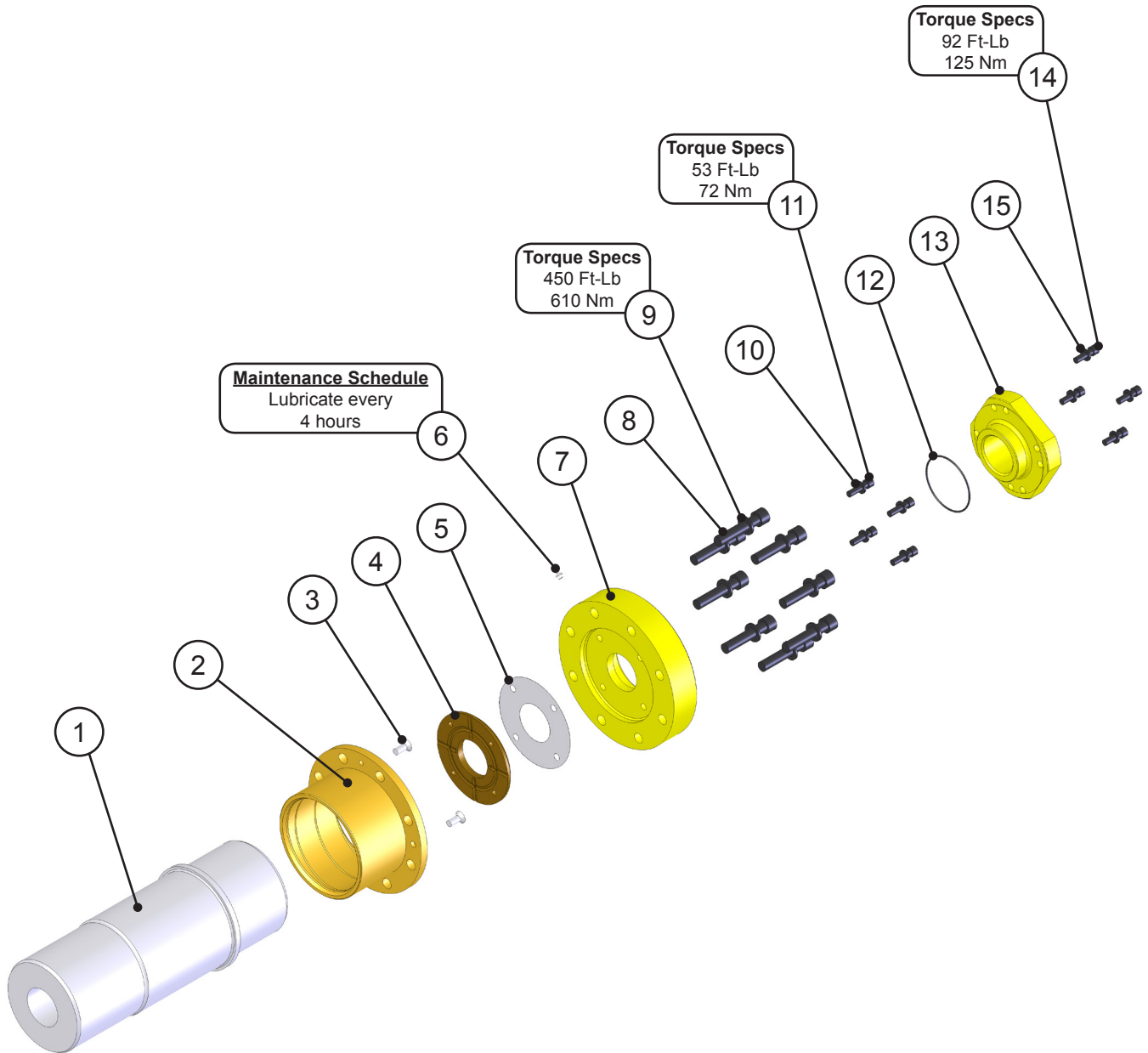
ASSEMBLY PIVOT GROUP - RIGHT SIDE



ASSEMBLY PIVOT GROUP - RIGHT SIDE

ITEM	QTY	PART NUMBER	DESCRIPTION
1	1	1104799	Mach Bearing
2	2	F0412030	Flat Head Capscrew M12 x 1.75 x 30
3	1	1101646	Mach Thrust Washer
4	1	1101649	Shim Set Thrust Washer
5	1	6200002	Grease Fitting
6	1	1106667	Mach End Cap
7	8	F1202037	Flat Washer M20
8	8	F0620090	Socket Head Capscrew M20 x 2.50 x 90
9	4	F1401000	Flat Washer M10
10	8	F0610035	Socket Head Capscrew M10 x 1.50 x 35
11	1	1106772	Mach Tie Rod
12	1	S0190350	O-Ring (90 Durometer -350)
13	1	1106669	Mach Tie Rod Nut
14	4	F0612040	Socket Head Capscrew M12 x 1.75 x 40
15	4	F1201224	Flat Washer M12

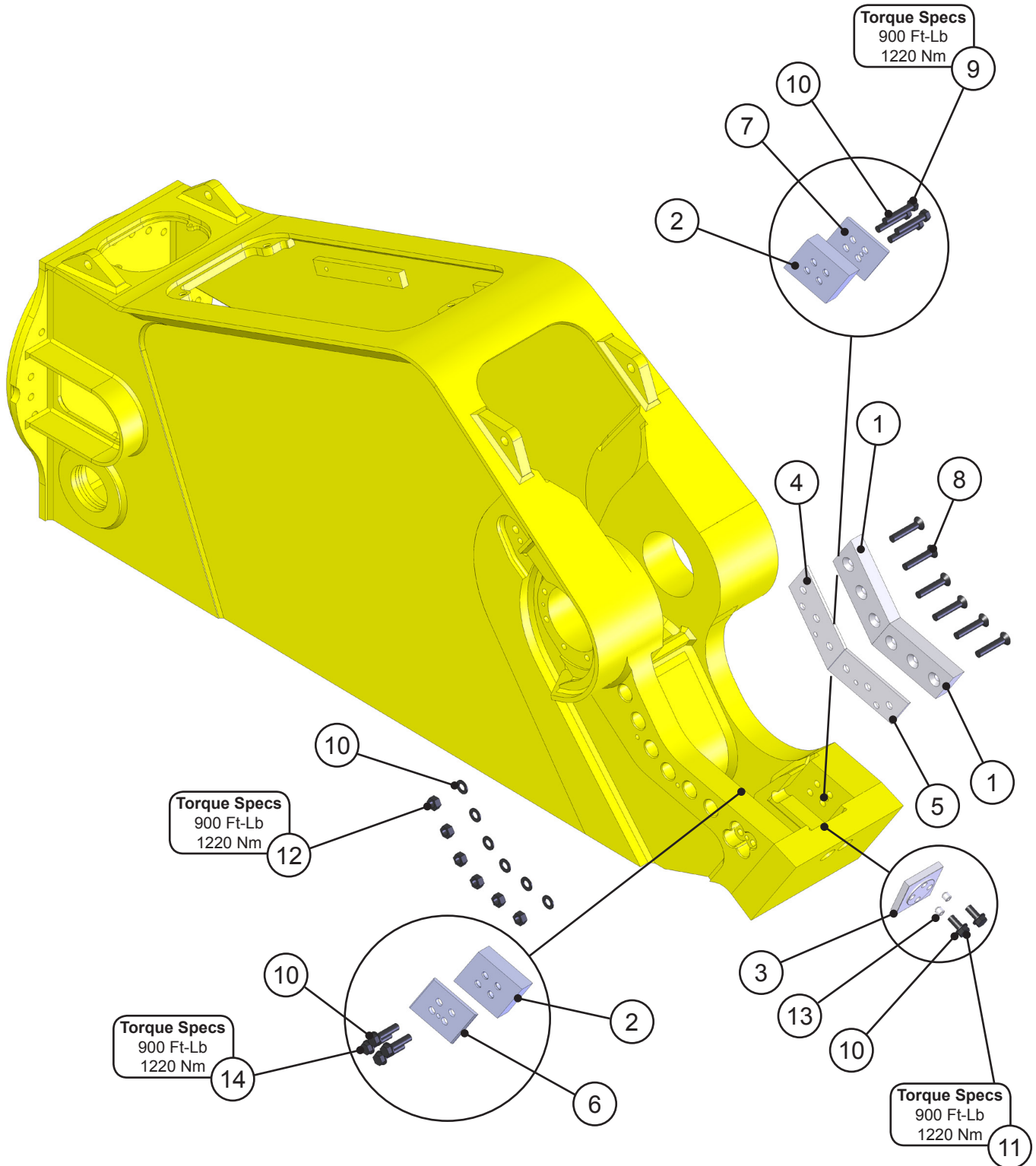
ASSEMBLY PIVOT GROUP - LEFT SIDE



ASSEMBLY PIVOT GROUP - LEFT SIDE

ITEM	QTY	PART NUMBER	DESCRIPTION
1	1	1106770	Mach Main Shaft
2	1	1104799	Mach Bearing
3	3	F0412030	Flat Head Capscrew M12 x 1.75 x 30
4	1	1101646	Mach Thrust Washer
5	1	1101649	Shim Set Thrust Washer
6	1	6200002	Grease Fitting
7	1	1106667	Mach End Cap
8	8	F1202037	Flat Washer M20
9	8	F0620090	Socket Head Capscrew M20 x 2.50 x 90
10	4	F1401000	Flat Washer M10
11	4	F0610035	Socket Head Capscrew M10 x 1.50 x 35
12	1	S0190350	O-Ring (90 Durometer -350)
13	1	1106669	Mach Tie Rod Nut
14	4	F0612040	Socket Head Capscrew M12 x 1.75 x 40
15	4	F1201224	Flat Washer M12

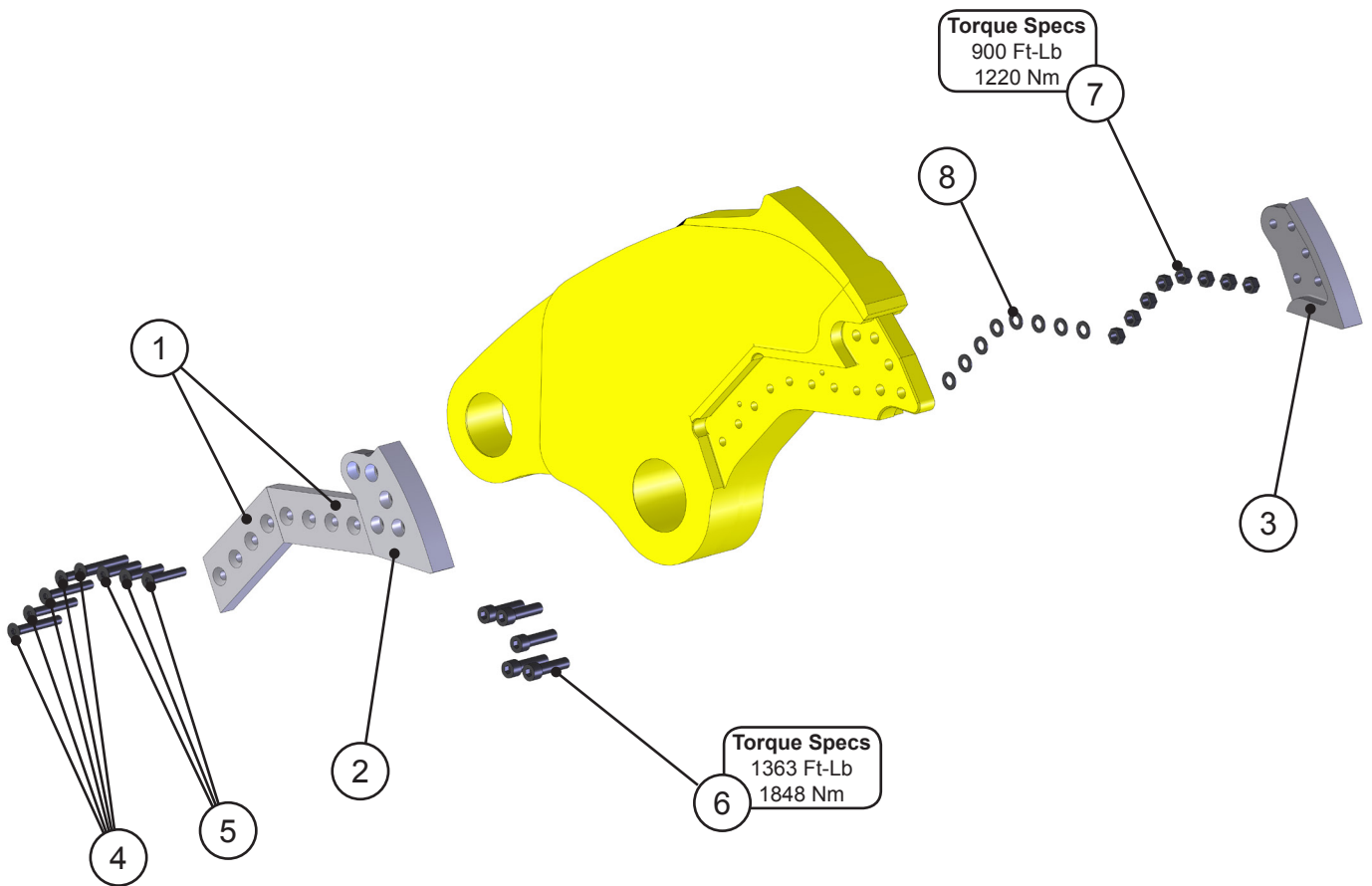
ASSEMBLY LOWER BLADES



ASSEMBLY LOWER BLADES

ITEM	QTY	PART NUMBER	DESCRIPTION
1	2	1103104	Mach Blade
2	2	1106784	Mach Blade Guide
3	1	1101957	Mach Blade Razor
4	1	1104443	Mach Adjust Plate
5	1	1104445	Mach Adjust Plate
6	1	1106785	Mach Guide Blade Adjust Plate
7	1	1106786	Mach Guide Blade Adjust Plate
8	6	F0510600	Flat Head Capscrew 1.00-8 x 6.00
9	4	F0210600	Hex Head Capscrew 1.00-8 x 6.00
10	16	F1300100	Flat Washer Narrow 1.00
11	2	F0210200	Hex Head Capscrew 1.00-8 x 2.00
12	6	F0910008	Hex Nut 1.00-8
13	2	F2510100	Set Screw Socket Head 1.00-8 x 1.00
14	4	F0210500	Hex Head Capscrew 1.00-8 x 5.00
SHIM SET			
		1103394	Blade Shim Set
		1106799	Guide Shim Set, Blade Side
		1106800	Guide Shim Set, Guide Side

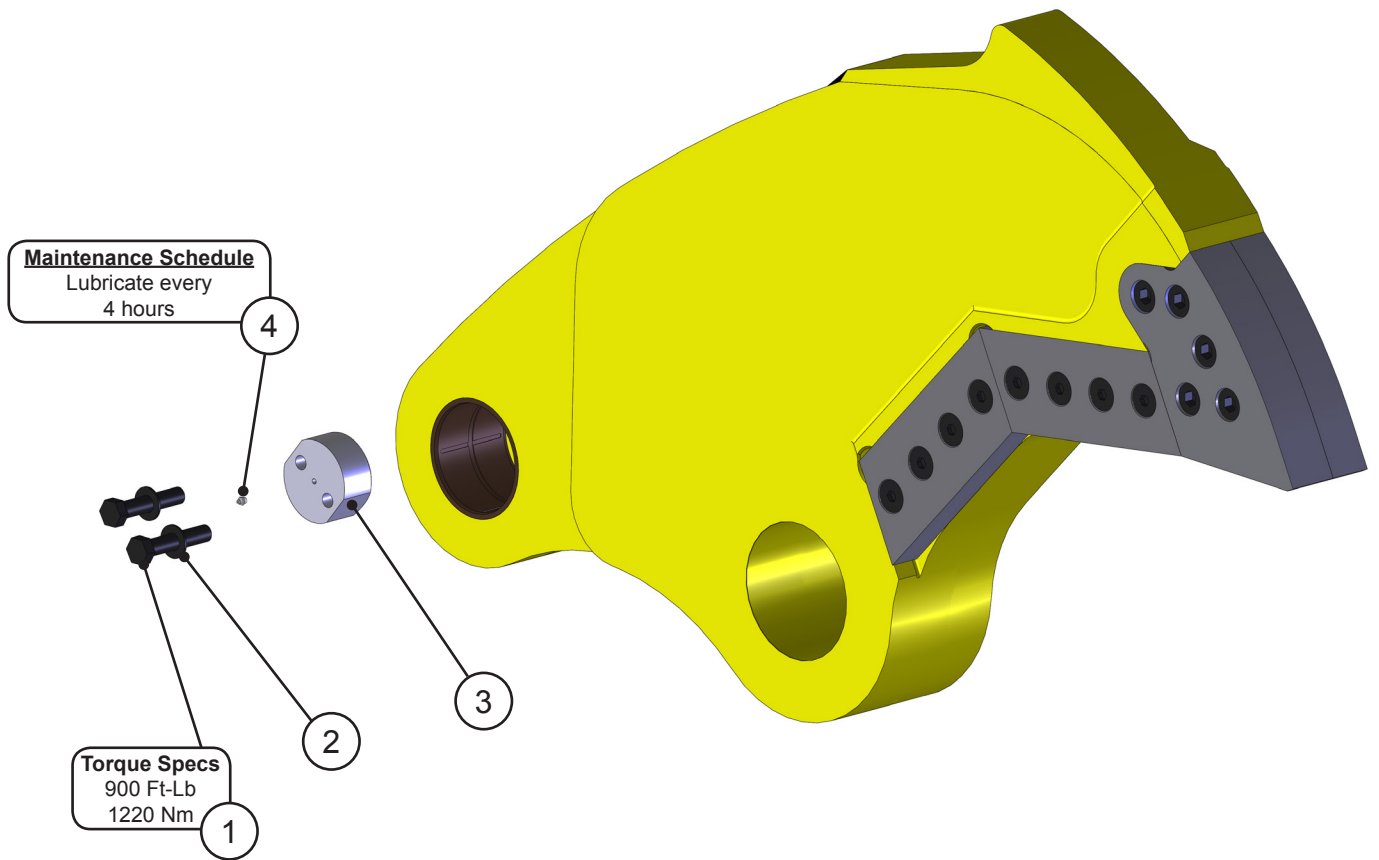
ASSEMBLY UPPER BLADES



ASSEMBLY UPPER BLADES

ITEM	QTY	PART NUMBER	DESCRIPTION
1	2	1103104	Mach Blade
2	1	1106783	Mach Blade Tip Right
3	1	1106782	Mach Blade Tip Left
4	4	F0510700	Flat Head Capscrew 1.00-8 x 7.00
5	2	F0510550	Flat Head Capscrew 1.00-8 x 5.50
6	5	1102857	Mach Bolt Socket Head Capscrew 1.25-7 x 4.50
7	6	F0910008	Hex Nut 1.00-8
8	6	F1300100	Flat Washer Narrow 1.00

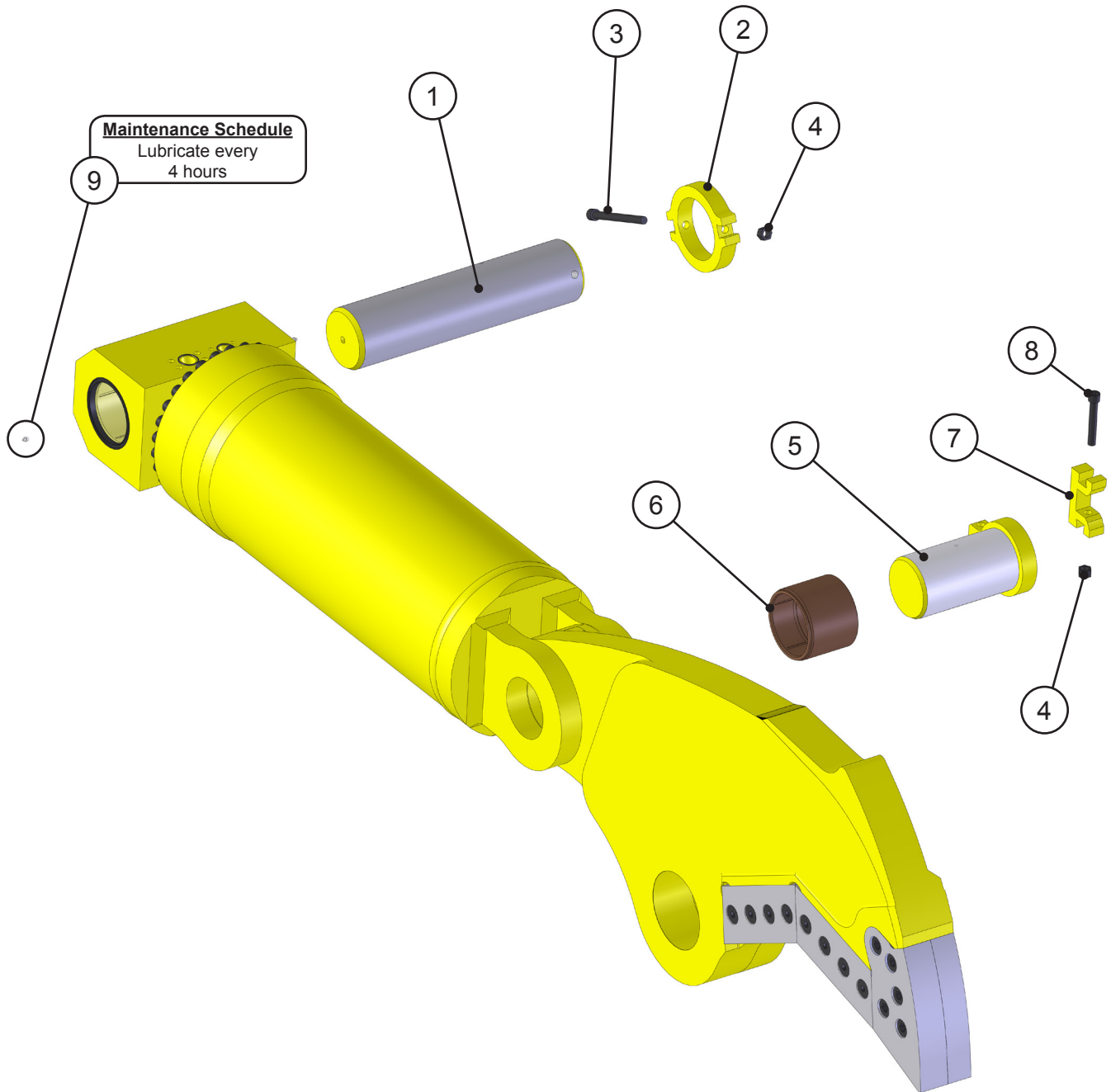
ASSEMBLY AUTO GUIDE



ASSEMBLY AUTO GUIDE

ITEM	QTY	PART NUMBER	DESCRIPTION
1	2	F0210500	Hex Head Capscrew 1.00-8 x 5.00
2	2	F1300100	Flat Washer Narrow 1.00
3	1	1105992	Mach Auto Guide
4	1	6200002	Grease Fitting
SHIM SET			
		1106478	Shim Set, Auto Guide

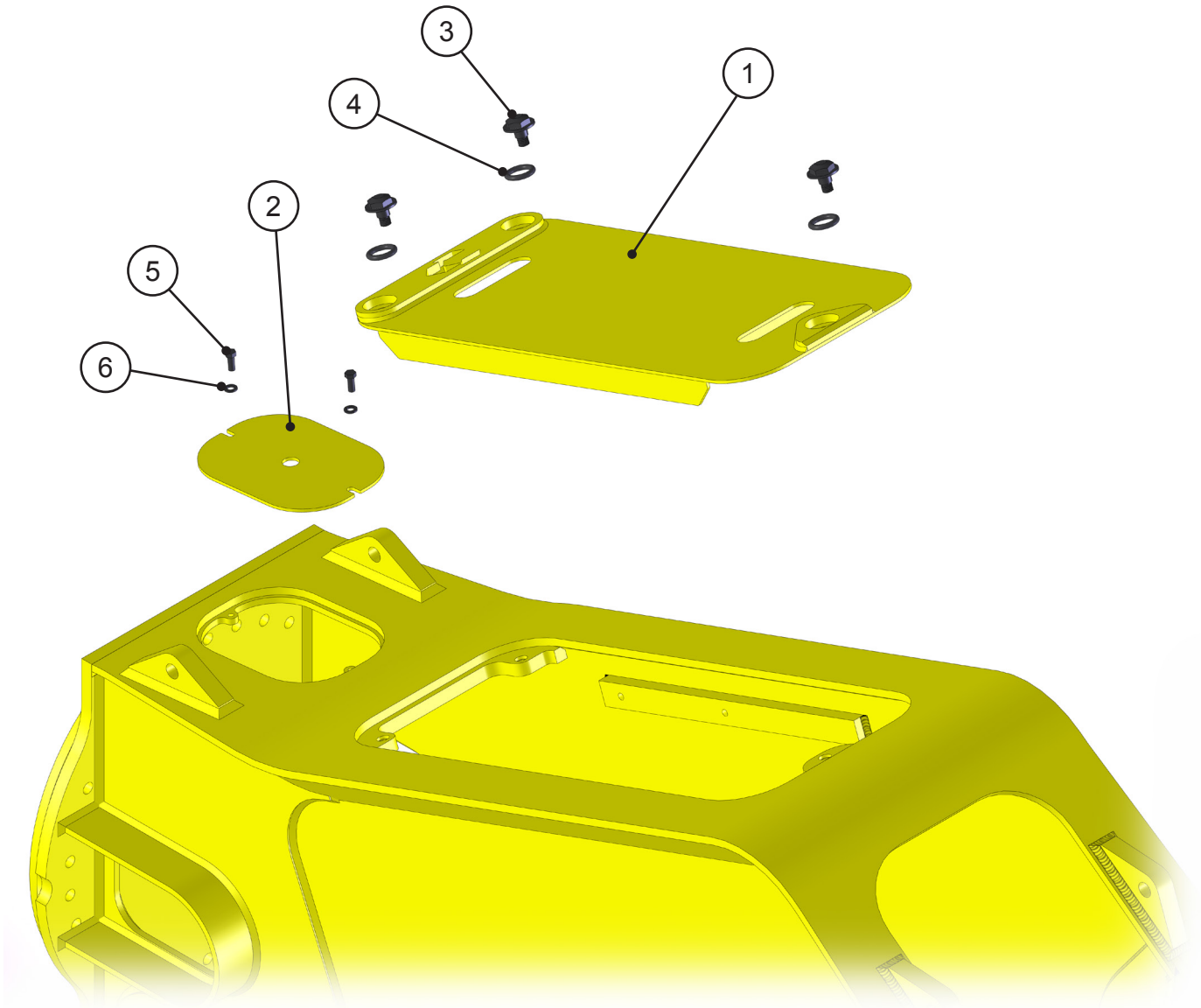
ASSEMBLY CYLINDER PINS



ASSEMBLY CYLINDER PINS

ITEM	QTY	PART NUMBER	DESCRIPTION
1	1	1106764	Mach Rear Cyl Pin
2	1	1106765	Mach Pin Keeper Rear
3	1	F0620230	Socket Head Capscrew M20 x 2.50 x 230
4	2	F1020250	Nylock Hex Nut M12 x 2.50
5	1	1106769	Wldt Front Cyl Pin
6	1	1106767	Mach Bearing Upper Cylinder Connection
7	1	1102487	Mach Pin Keeper (Clevis)
8	1	F0620130	Socket Head Capscrew M20 x 2.50 x 130
9	1	6200002	Grease Fitting

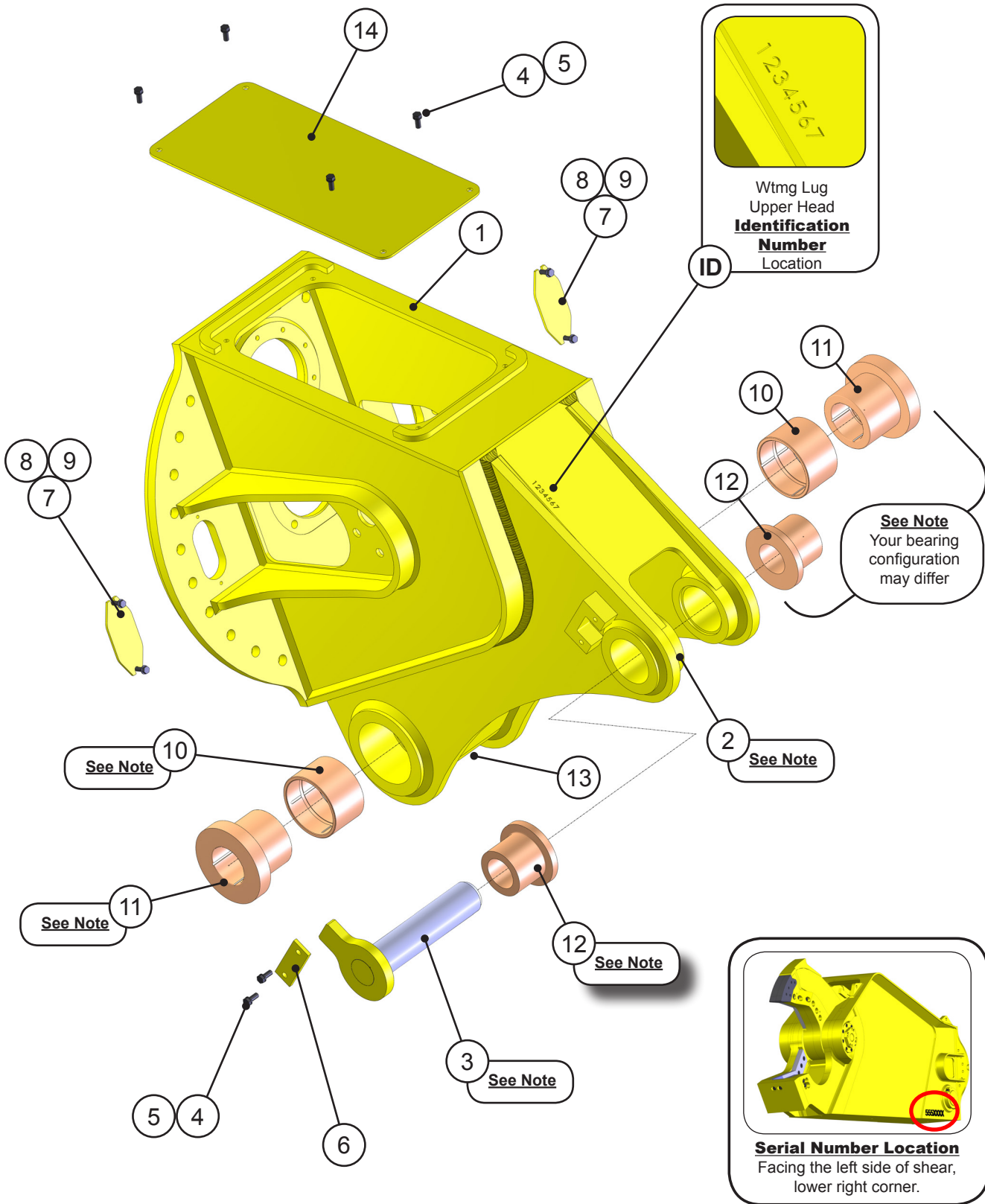
ASSEMBLY ACCESS COVERS



ASSEMBLY ACCESS COVERS

ITEM	QTY	PART NUMBER	DESCRIPTION
1	1	1106777	Wldt Cover
2	1	1105868	Plt Rear Cover
3	3	1105854	Mach Flange Shoulder Bolt
4	3	6301112	O-Ring
5	2	F0112030	Hex Head Capscrew M12 x 1.75 x 30
6	2	F1201224	Flat Washer M12

ASSEMBLY UPPER HEAD



Wtmg Lug
Upper Head
**Identification
Number**
Location

See Note
Your bearing
configuration
may differ

Serial Number Location
Facing the left side of shear,
lower right corner.

ASSEMBLY UPPER HEAD

ITEM	QTY	PART NUMBER	DESCRIPTION
1	1	5513129	Wtmg Sub Head
2	1	* Note Below	Wtmg Lug Upper Head
3	1	* Note Below	Wldt Pin
4	6	F0112030	Hex Head Capscrew M12 x 1.75 x 30
5	6	F1401200	Lock Washer M12
6	1	5500752	Plt Strap
7	2	1105883	Plt Bolt Cover
8	4	F0110030	Hex Head Capscrew M10 x 1.50 x 30
9	4	F1201021	Flat Washer M10
10	2	* Note Below	Mach Bearing
11	2	* Note Below	Mach Boom Bearing
12	2	* Note Below	Mach Spacer Sleeve
13	1	6200002	Grease Fitting
14	1	5513200	Plt Sub Head Cover

* Wtmg Lug Upper Head Part Number is Serial Number specific. For replacement parts call the Genesis Parts Department.

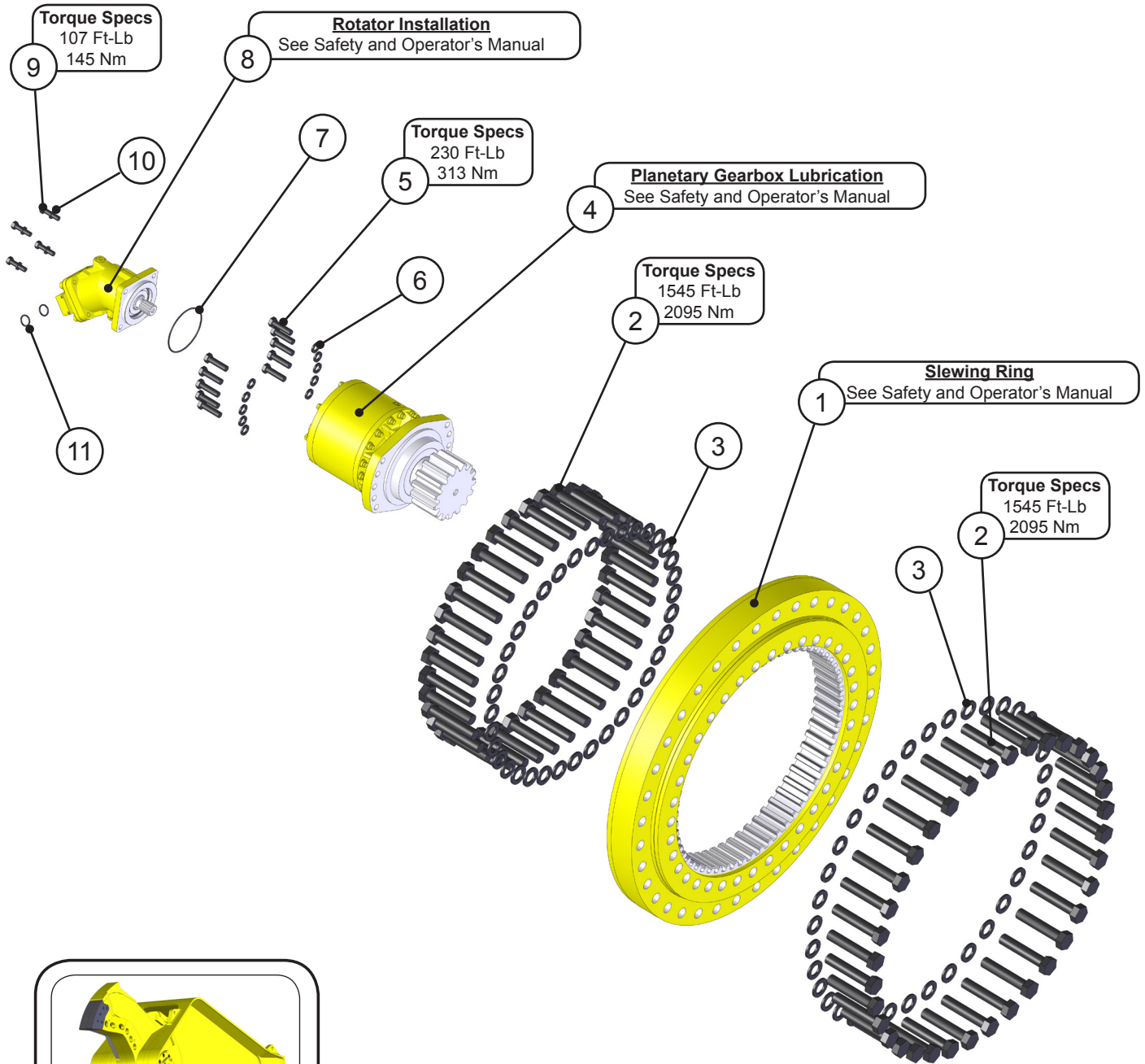
USA

715-395-5614
715-395-3405

Europe

+49 83 31 9 25 98 0

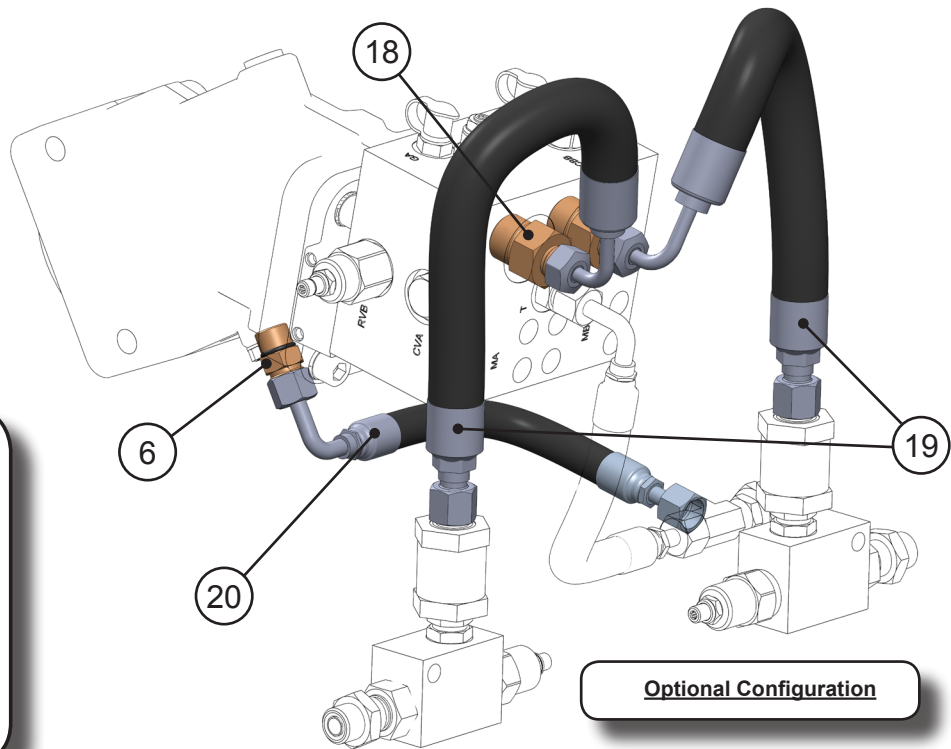
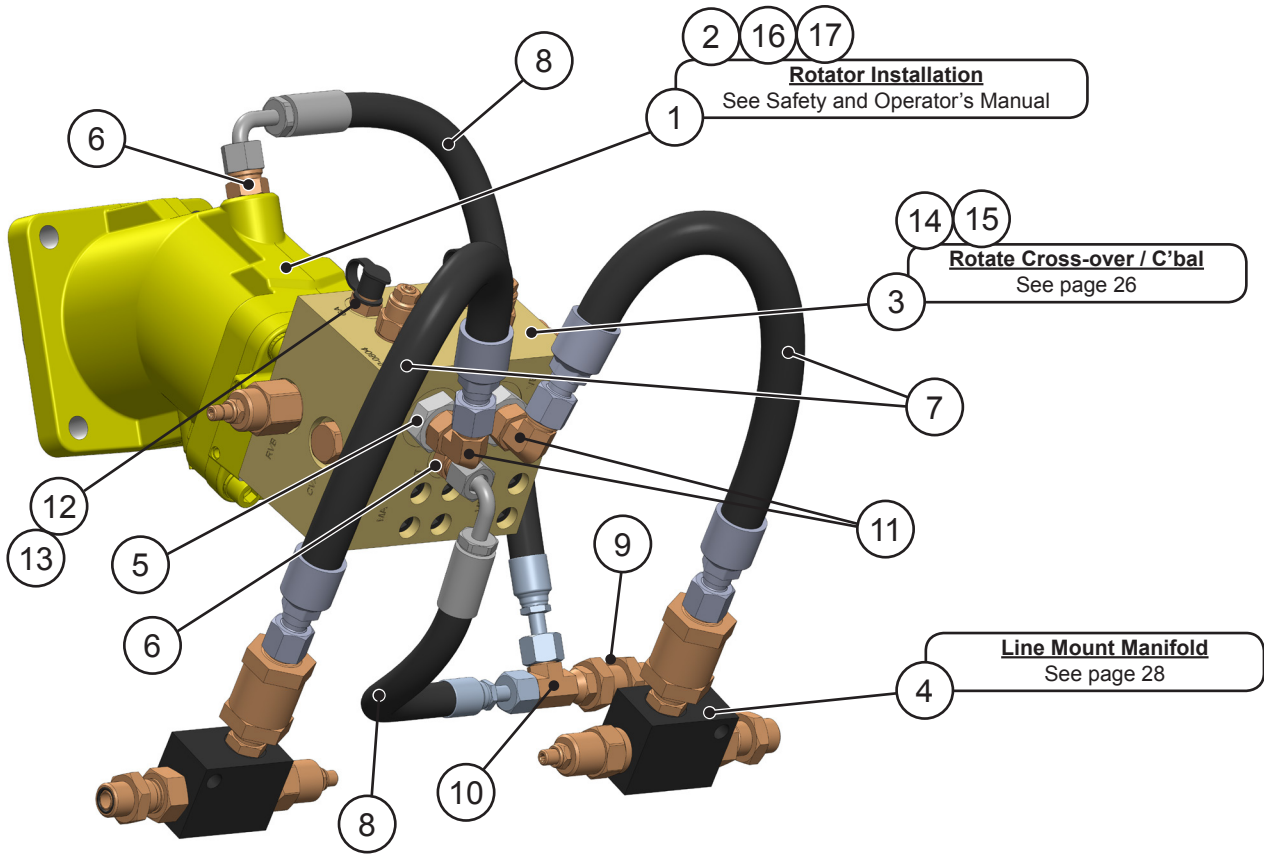
ASSEMBLY ROTATION - PISTON MOTOR



ASSEMBLY ROTATION - PISTON MOTOR

ITEM	QTY	PART NUMBER	DESCRIPTION
1	1	6300430	Bearing Slewing
2	60	F0130150	Hex Head Capscrew M30 x 3.5 x 150
3	60	F1203056	Flat Washer M30
4	1	6300446	Gear Box
5	9	F0116060	Hex Head Capscrew M16 x 2.0 x 60
6	9	F1201630	Flat Washer M16
7	1	S0190250	O-Ring (90 Durometer -250)
8	1	6340012	Motor
9	4	F0250200	Hex Head Capscrew .50-13 x 2.00
10	2	F1500050	Lock Washer .50
11	2	S0190214	O-Ring (90 Durometer -214)

ASSEMBLY ROTATION CIRCUIT - PISTON MOTOR

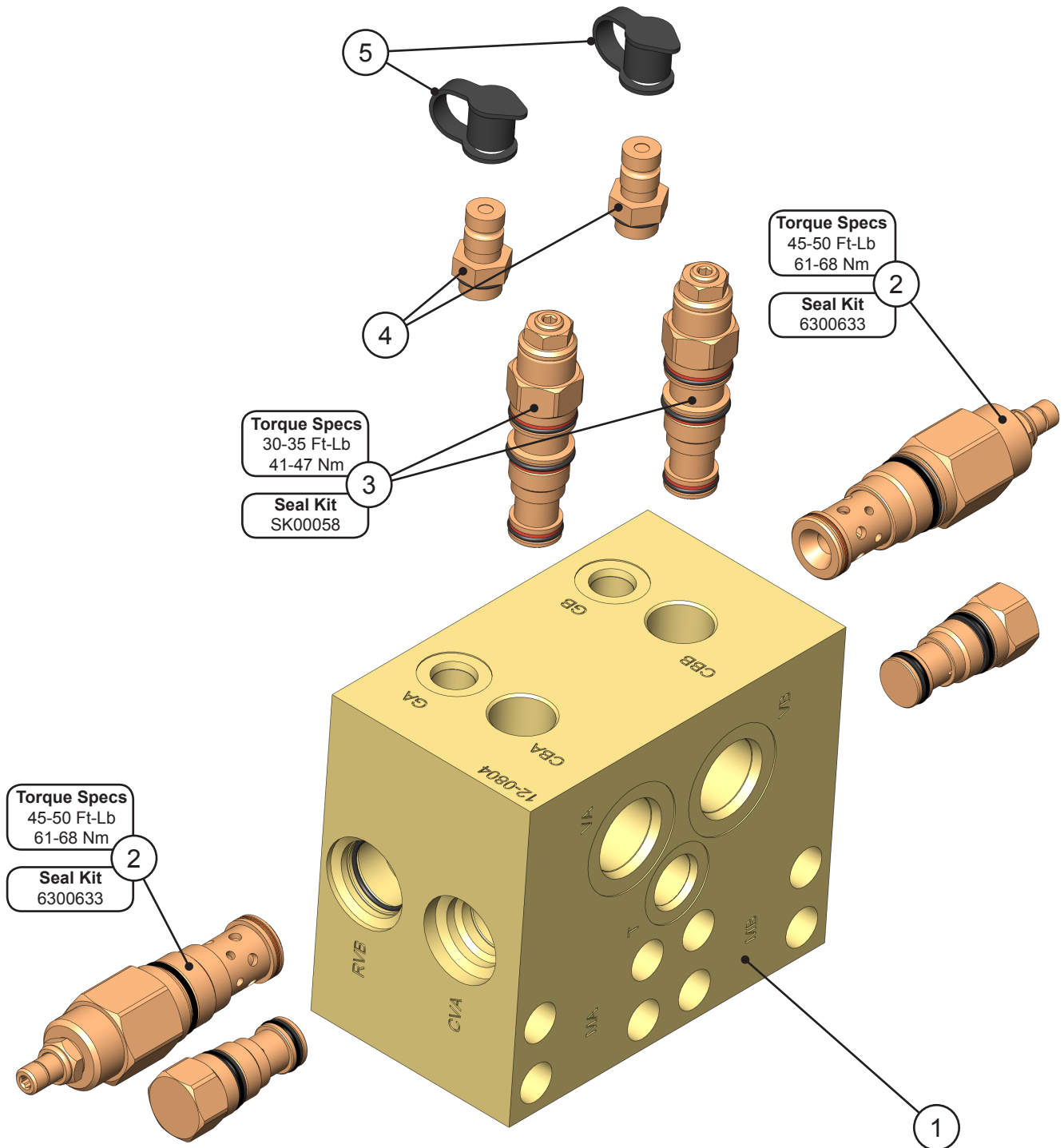


ASSEMBLY ROTATION CIRCUIT - PISTON MOTOR

ITEM	QTY	PART NUMBER	DESCRIPTION
1	1	6340012	Motor
2	1	S0190250	O-Ring (90 Durometer -250)
3	1	See page 26	Sub-Assembly Rotate Cross-over / C'bal
4	2	See page 28	Sub-Assembly Line Mount Manifold
5	2	6300512	Adaptor 12MB-08FB
6	2	6300148	Adaptor 06MO-08MB
7	2	1106711	Hose 08-2WR16-08FFORX-08FFORX-20.50*
8	2	1106712	Hose 06-2WR16-06FFORX-06FFORX90M-20.50*
9	1	6300023	Adaptor Bulkhead 08MO-08MO
10	1	6300407	Adaptor Run Tee 06FOX-06MO-06MO
11	2	6300303	Adaptor 08MB-18MO-90
12	2	6300014	Diagnostic Nipple 06MB
13	2	6310001	Diagnostic Nipple Dust Cap
14	8	F0703350	Socket Head Capscrew .38-16 x 3.50
15	2	S0190214	O-Ring (90 Durometer -214)
16	4	F0250200	Hex Head Capscrew .50-13 x 2.00
17	4	F1500050	Lock Washer .50
18	2	6300052	Adaptor 12MB-08MO
19	2	1106466	Hose 08-2WR16-08FFORX-08FFORX90M-20.50*
20	1	1106465	Hose 06-2WR16-06FFORX-06FFORX90M-20.50*

* Estimated length

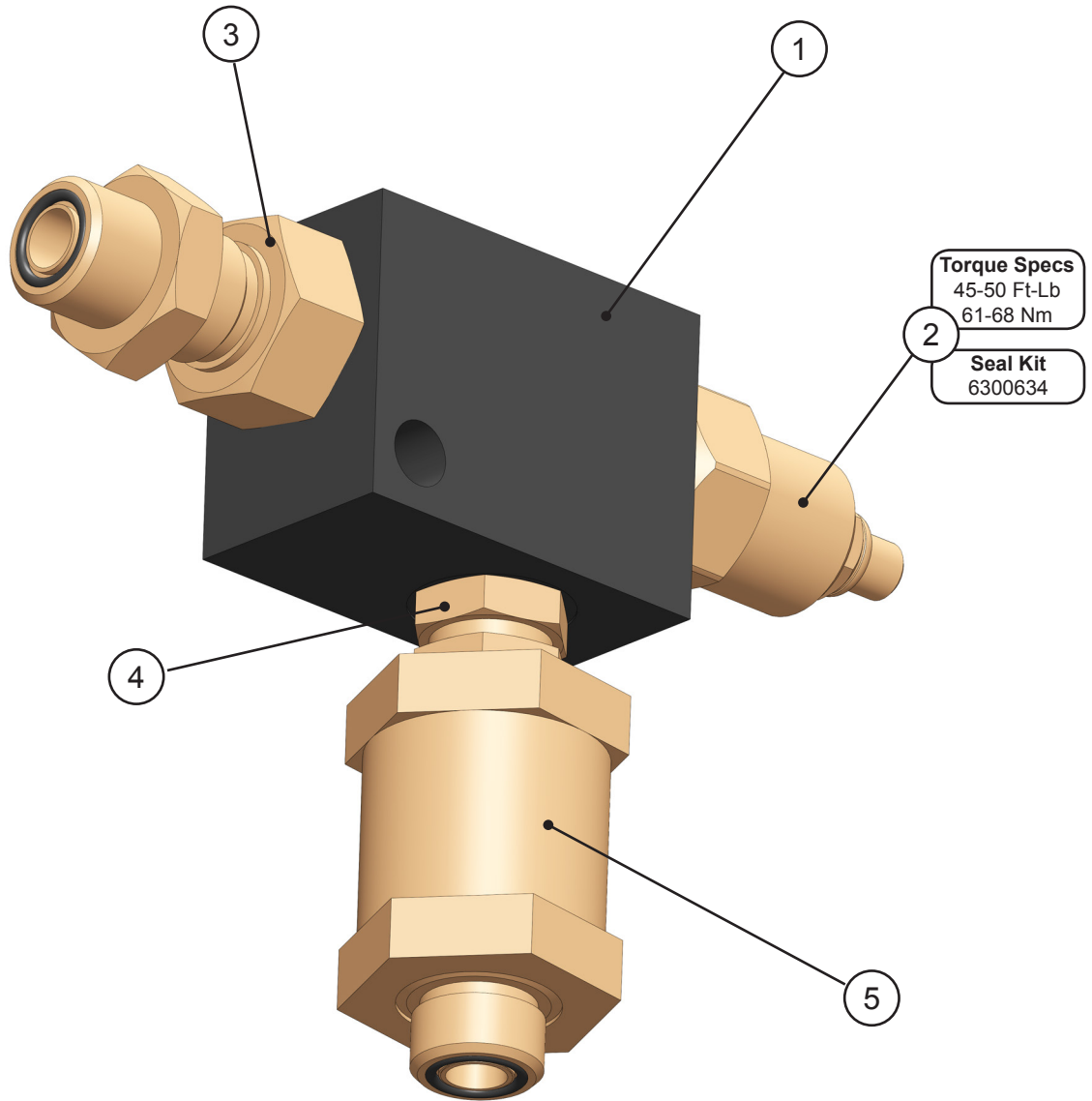
SUB-ASSEMBLY ROTATE CROSS-OVER / C'BAL



SUB-ASSEMBLY ROTATE CROSS-OVER / C'BAL

ITEM	QTY	PART NUMBER	DESCRIPTION	
1	1	6380079	Valve Block	
2	2	6300501	Valve Relief	Seal Kit 6300633
3	2	6380035	Valve Counterbalance	Seal Kit SK00058
4	2	6300088	Diagnostic Nipple	
5	2	6310001	Diagnostic Nipple Dust Cap	

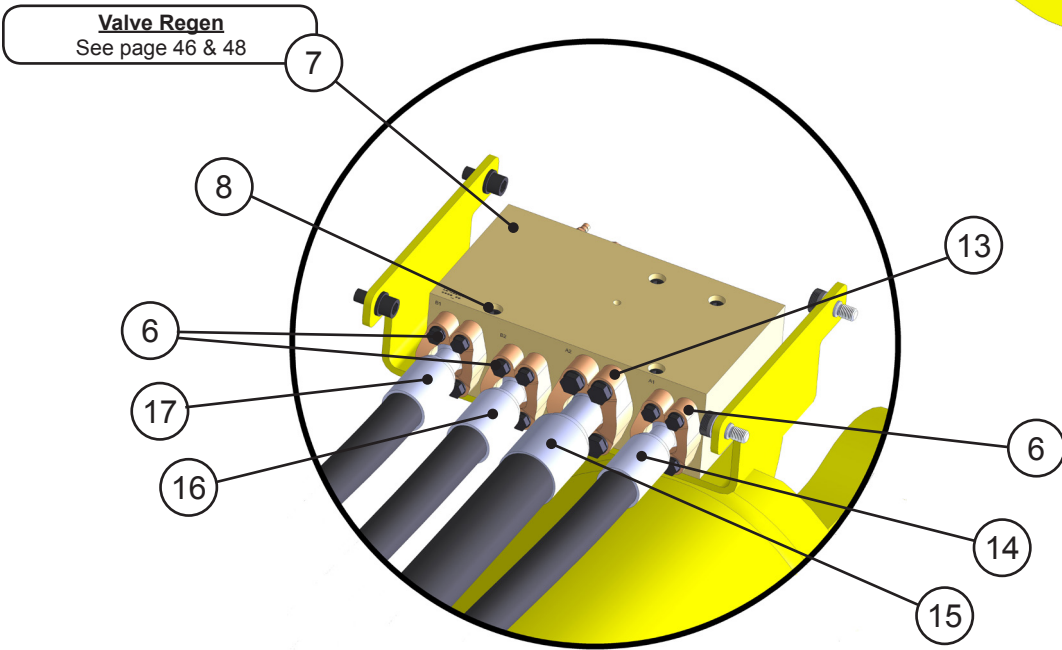
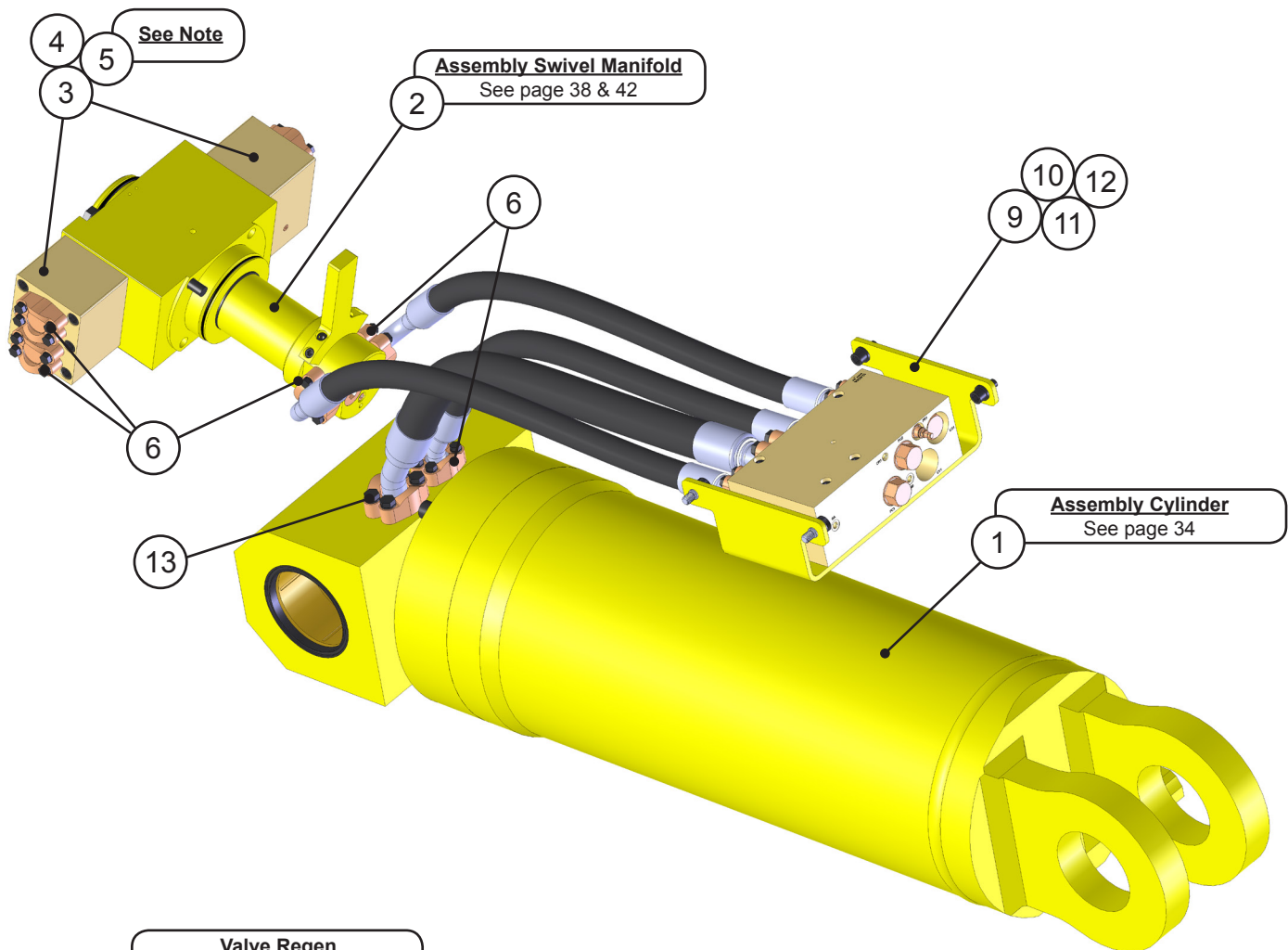
SUB-ASSEMBLY LINE MOUNT MANIFOLD



SUB-ASSEMBLY LINE MOUNT MANIFOLD

ITEM	QTY	PART NUMBER	DESCRIPTION
1	1	6300609	Valve Line Body
2	1	6300361	Valve Flow Control Seal Kit 6300634
3	1	6300497	Adaptor Bulkhead 08MB-08MO
4	1	6300523	Adaptor 08MB-08MB
5	1	6300364	Filter

ASSEMBLY OPEN AND CLOSE CIRCUIT - 6350081



ASSEMBLY OPEN AND CLOSE CIRCUIT - 6350081

ITEM	QTY	PART NUMBER	DESCRIPTION
1	1	* See page 34	Assembly Cylinder B16.0 R10.0 S38
2	1	See page 38 & 42	Assembly Swivel Manifold
3	2	** Note Below	Mach Port Block
4	12	** Note Below	Socket Head Capscrew M16 x 2.00
5	4	** Note Below	O-Ring
6	10	1-1/4" Split Flange Kit	
	2	H0262125	Split Flange Half 1.25 Code 62
	4	F0112050	Hex Head Capscrew M12 x 1.75 x 50
	4	F1401200	Lock Washer M12
	1	S0190222	O-Ring
7	4	See page 46 & 48	Valve Regen
8	1	F0612120	Socket Head Capscrew M12 x 1.75 x 120
9	1	1106677	Mach Plt Frmd Valve Tray
10	2	F0616035	Socket Head Capscrew M16 x 2.0 x 35
11	2	F1201630	Flat Washer M16
12	2	F3616020	Socket Head Shoulder Screw M16 x 2.0 x 20
13	2	1-1/2" Split Flange Kit	
	2	H0262150	Split Flange Half 1.50 Code 62
	4	F0116060	Hex Head Capscrew M16 x 2.00 x 60
	4	F1401628	Lock Washer M16
	1	S0190225	O-Ring (90 Durometer -225)
14	1	1107067	Hose 24-6WR13-32FLH62-24FLH9062-37L
15	1	1107070	Hose 32-6WR13-32FLH62-32FLH4562-34
16	1	1107069	Hose 24-6WR13-32FLH62-24FLH4562-36
17	1	1107068	Hose 24-6WR13-32FLH62-24FLH9062-37R

* Your GXT 995 mobile shear will contain one of two cylinders, Part Number 6350081 or 6350092. If the Mach Plt Frmd Valve Tray, #9, is under the Valve Regen, #7, the shear contains cylinder 6350081. If the Mach Plt Frmd Valve Tray, #9, is on top of the Valve Regen, #7, the shear contains cylinder 6350092.

** Items 3, 4 and 5 are Serial Number specific. For replacement parts call the Genesis Parts Department.

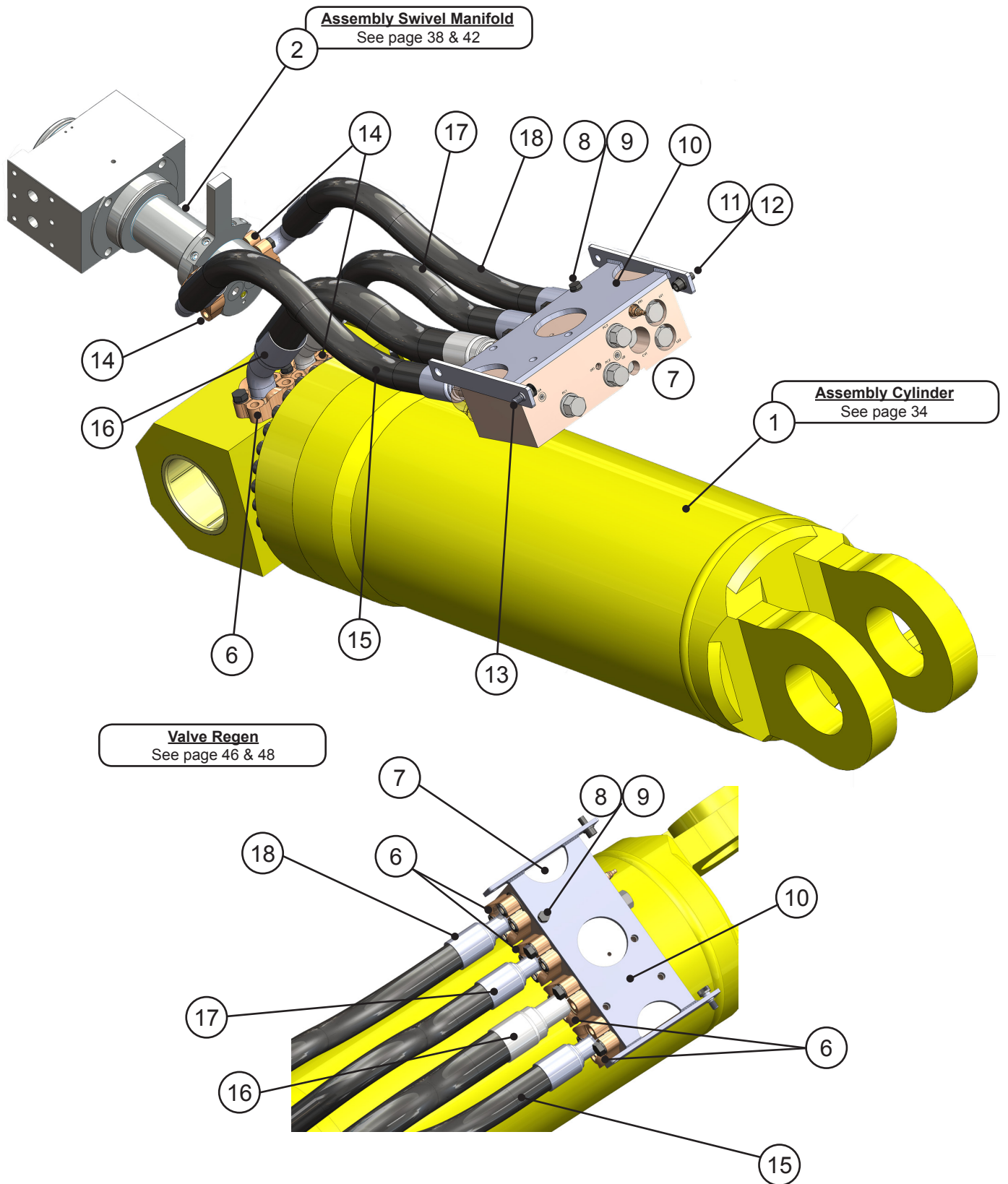
USA

715-395-5614
715-395-3405

Europe

+49 83 31 9 25 98 0

ASSEMBLY OPEN AND CLOSE CIRCUIT - 6350092



ASSEMBLY OPEN AND CLOSE CIRCUIT - 6350092

ITEM	QTY	PART NUMBER	DESCRIPTION
1	1	* See page 34	Assembly Cylinder B16.0 R10.0 S38
2	1	See page 38 & 42	Assembly Swivel Manifold
3	2	** Note Below	Mach Port Block (Not Shown)
4	12	** Note Below	Socket Head Capscrew M16 x 2.00 (Not Shown)
5	4	** Note Below	O-Ring (Not Shown)
6	12	2" Split Flange Kit	
	12	H0262200	Split Flange Half 2.00 Code 62
	24	F0120070	Hex Head Capscrew M20 x 2.5 x 70
	24	F1402000	Lock Washer M20
	5	S0190228	O-Ring (90 Durometer -228)
7	1	See page 46 & 48	Valve Regen
8	4	F0116040	Hex Head Capscrew M16 x 2.0 x 40
9	4	F1401628	Lock Washer M16
10	1	1107041	Valve Tray
11	2	F0616035	Socket Head Capscrew M16 x 2.0 x 35
12	2	F1201630	Flat Washer M16
13	2	F3616020	Socket Head Shoulder Screw M16 x 2.0 x 20
14	6	1-1/2" Split Flange Kit	
	6	H0262150	Split Flange Half 1.50 Code 62
	12	F0116060	Hex Head Capscrew M16 x 2.00 x 60
	12	F1401628	Lock Washer M16
	3	S0190225	O-Ring (90 Durometer -225)
15	1	1107068	Hose 24-6WR13-32FLH62-24FLH9062-37R
16	1	1107070	Hose 32-6WR13-32FLH62-32FLH4562-34
17	1	1107069	Hose 24-6WR13-32FLH62-24FLH4562-36
18	1	1107067	Hose 24-6WR13-32FLH62-24FLH9062-37L

* Your GXT 995 mobile shear will contain one of two cylinders, Part Number 6350081 or 6350092. If the Mach Plt Frmd Valve Tray, #9, is under the Valve Regen, #7, the shear contains cylinder 6350081. If the Mach Plt Frmd Valve Tray, #9, is on top of the Valve Regen, #7, the shear contains cylinder 6350092.

** Items 3, 4 and 5 are Serial Number specific. For replacement parts call the Genesis Parts Department.

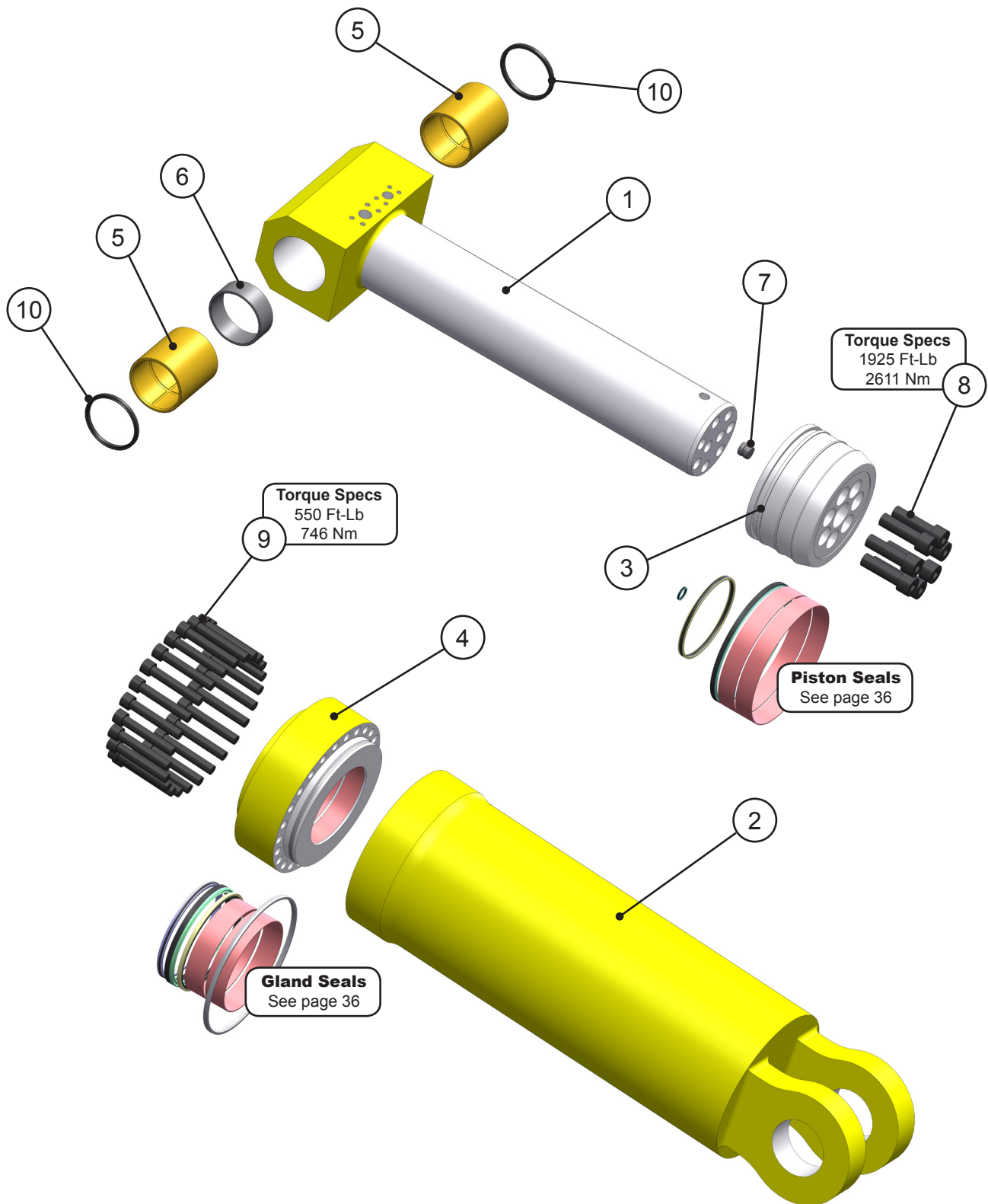
USA

715-395-5614
715-395-3405

Europe

+49 83 31 9 25 98 0

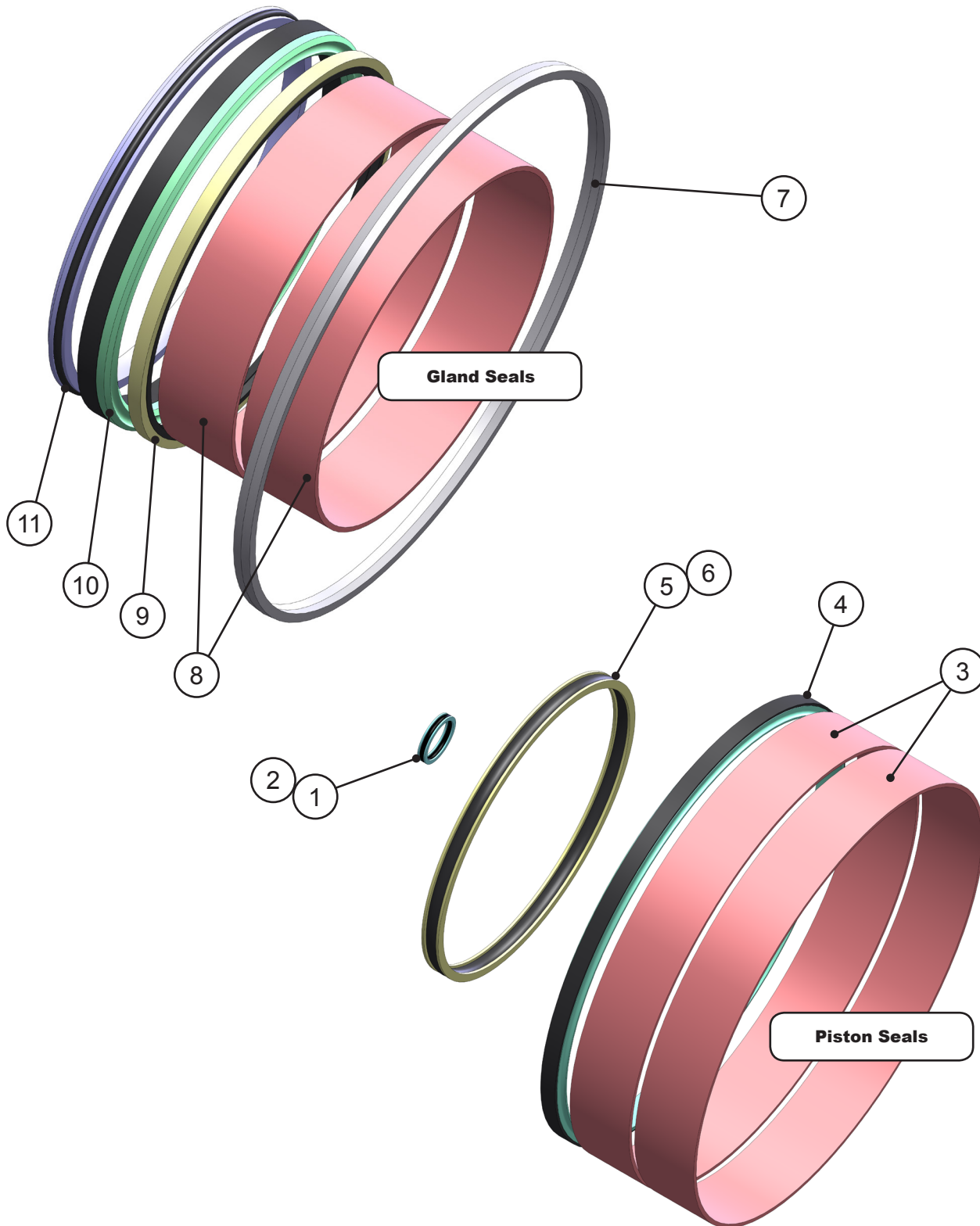
ASSEMBLY CYLINDER 6350081 & 6350092 - B16.0 R10.0 S38.0



ASSEMBLY CYLINDER 6350081 & 6350092 - B16.0 R10.0 S38.0

ITEM	QTY	PART NUMBER	DESCRIPTION
1	1	For replacement parts call the Genesis Parts Department. USA 715-395-5614 715-395-3405 Europe +49 83 31 9 25 98 0	Piston Rod Assembly
2	1		Butt and Tube Assembly
3	1		Piston
4	1		Gland
5	2		Bushing
6	1		Spacer
7	1		Seal Plate
8	7		Socket Head Capscrew
9	25		Socket Head Capscrew
10	2		Pin Seal

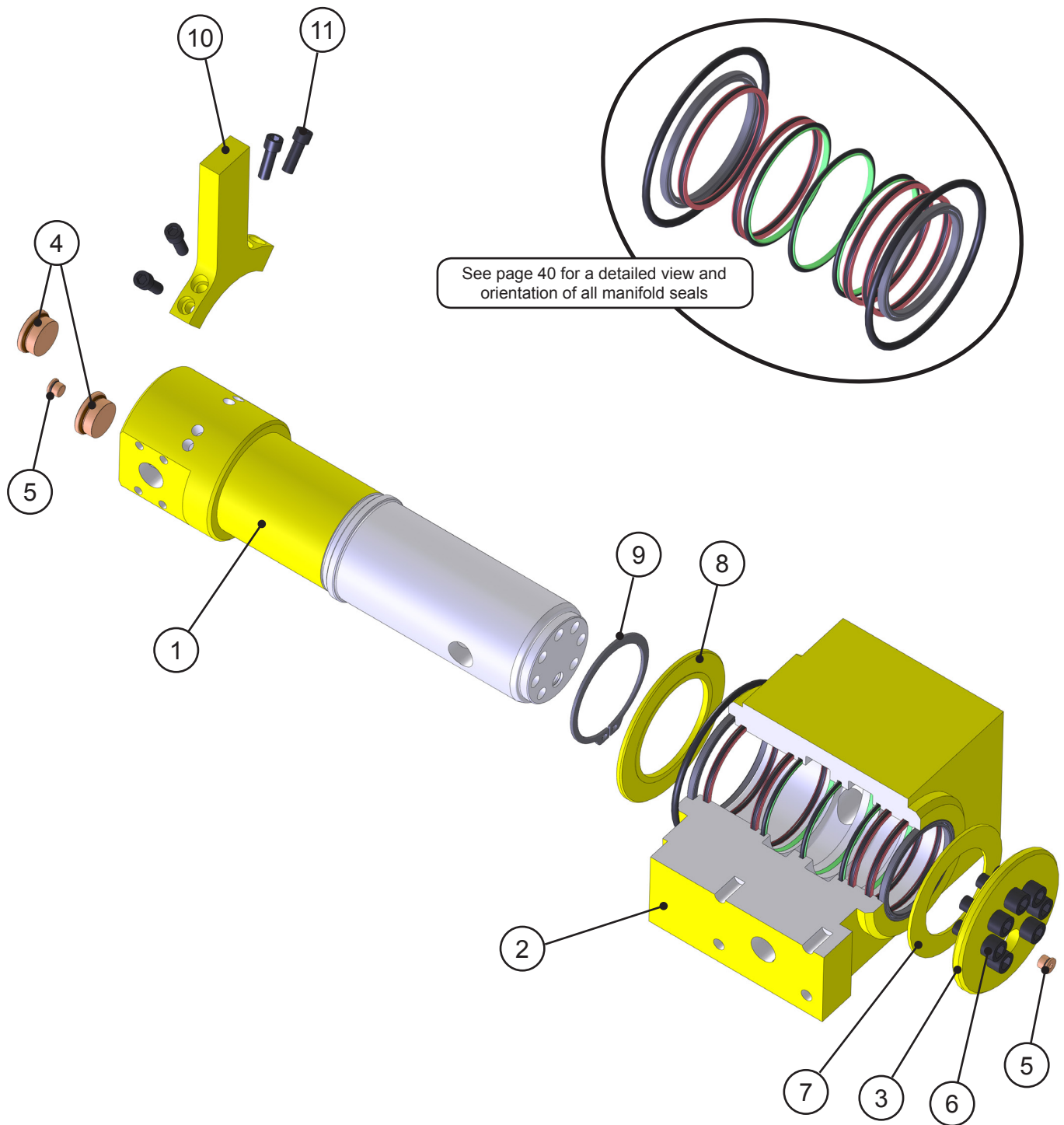
ASSEMBLY CYLINDER PACKING KIT



ASSEMBLY CYLINDER PACKING KIT

ITEM	QTY	PART NUMBER	DESCRIPTION
1	1	These Items ONLY Available in Packing Kits Cylinder 6350081: SK00123 Cylinder 6350092: SK00142	O-Ring
2	2		Vented Back Up Washer
3	2		Piston Bearing Ring
4	1		Capped T Seal
5	1		O-Ring (90 Durometer)
6	2		Vented Back Up Washer
7	1		Kuver Seal
8	2		Gland Bearing Seal
9	1		Buffer Seal
10	1		Deep Z Seal
11	1		DX Wiper

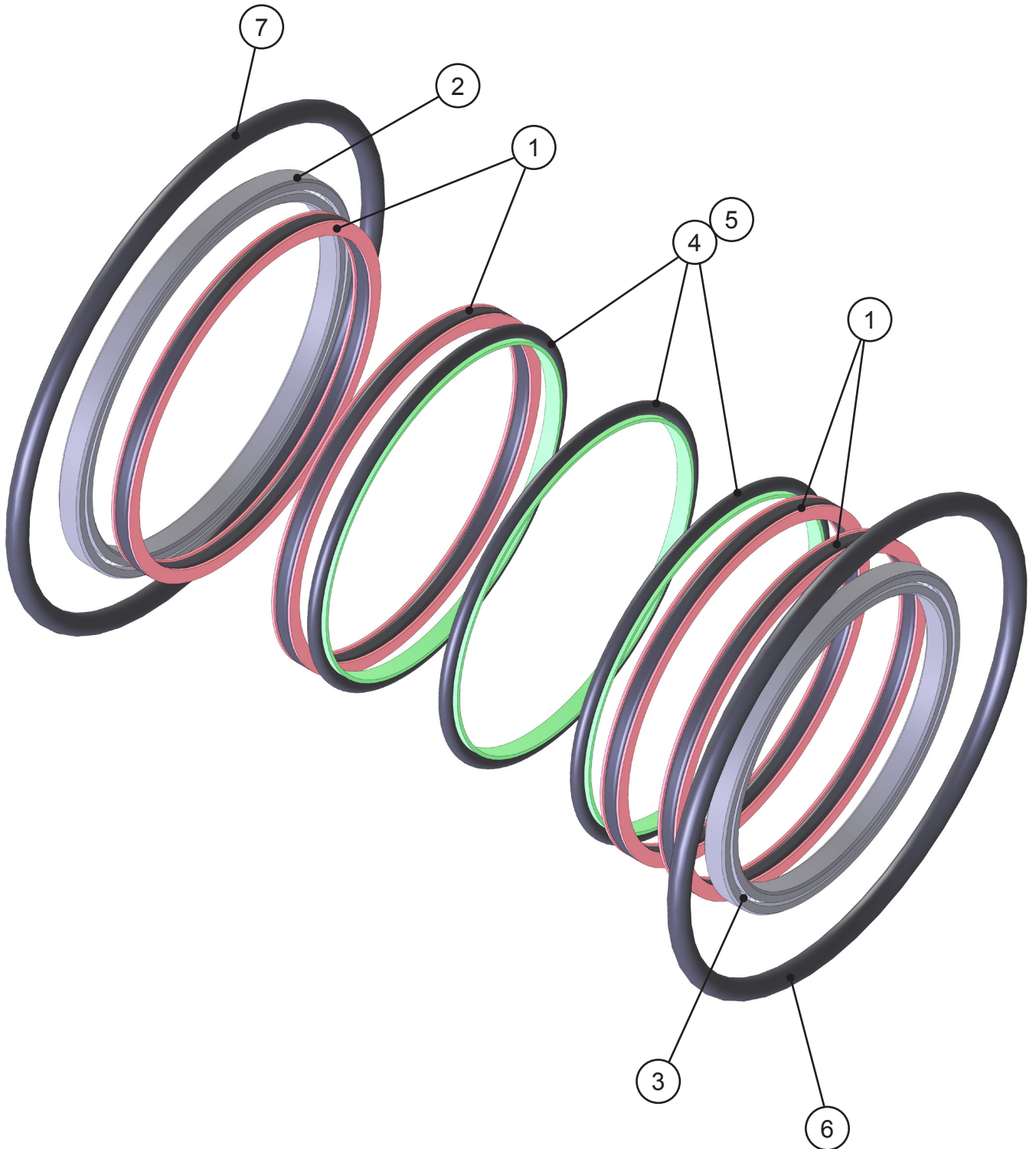
ASSEMBLY SWIVEL MANIFOLD - 6350082 & 6350093



ASSEMBLY SWIVEL MANIFOLD - 6350082 & 6350093

ITEM	QTY	PART NUMBER	DESCRIPTION
1	1	* For replacement parts call the Genesis Parts Department. USA 715-395-5614 715-395-3405 Europe +49 83 31 9 25 98 0	Spool - 2 Port
2	1		Barrel - 2 Port
3	1		Retaining Plate
4	2		-20 SAE Plug
5	2		-4 SAE Plug
6	7		Socket Head Capscrew M12 x 2.0 x 45
7	1		Thrust Ring
8	1		Thrust Ring
9	1		Retaining Ring
10	1		Torque Arm
11	4		Socket Head Capscrew M12 x 1.75 x 30
* Your GXT 995 mobile shear will contain one of two swivel manifolds, Part Number 6350082 or 6350093. If the swivel manifold housing is marked 02-104 or 9332-, the shear contains swivel manifold 6350082. If the swivel manifold housing is marked 02-108 or 9412-, the shear contains swivel manifold 6350093.			

ASSEMBLY SWIVEL MANIFOLD PACKING KIT - SK00208 & SK00209

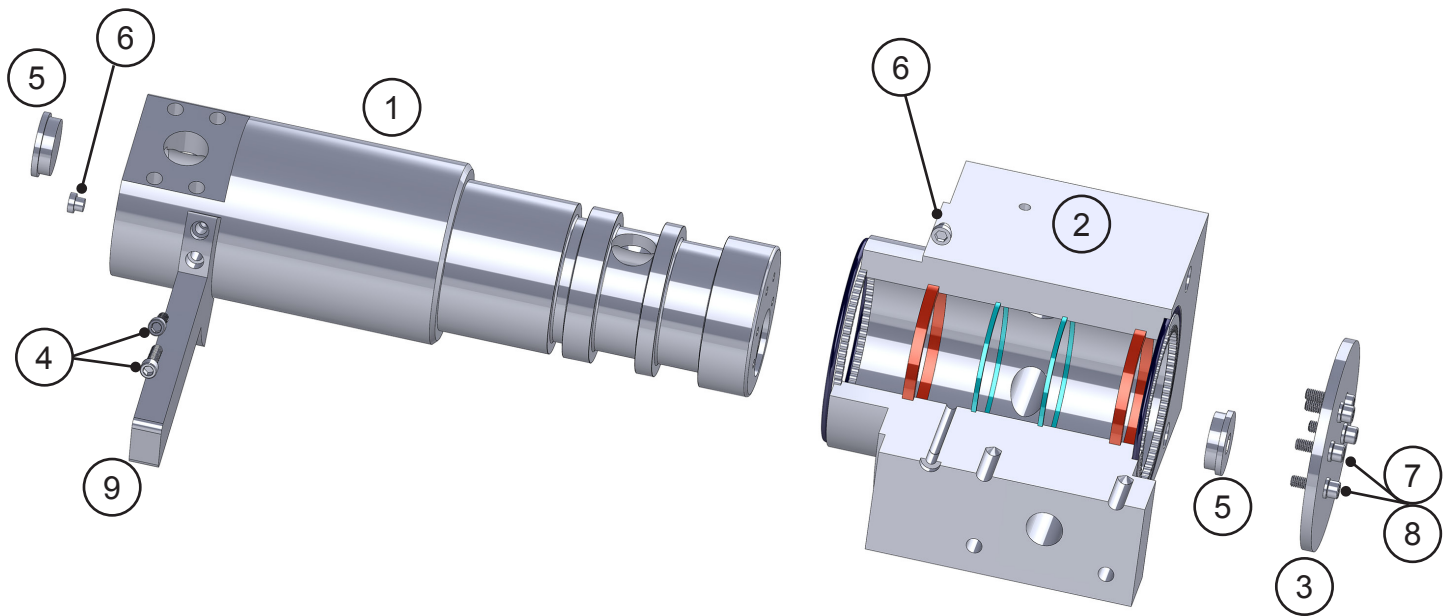


ASSEMBLY SWIVEL MANIFOLD PACKING KIT - SK00208 & SK00209

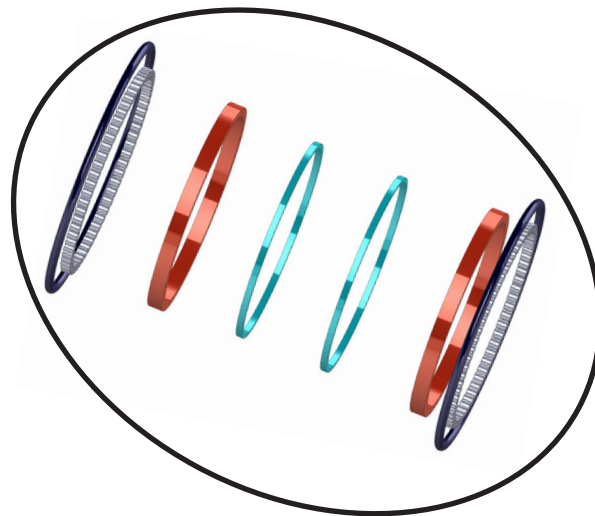
ITEM	QTY	PART NUMBER	DESCRIPTION
1	4	These Items ONLY Available in Packing Kits*	O-Ring
2	1		Bearing 4-3/4
3	1		Bearing 4
4	3		Cap Seal
5	3		O-Ring
6	1		O-Ring
7	1		O-Ring

* Swivel manifold housing stamped 02-104 requires Packing Kit SK00208.
 Swivel manifold housing stamped 02-108 requires Packing Kit SK00209.

ASSEMBLY SWIVEL MANIFOLD - 6350082 & 6350093



See page 44 for a detailed view and orientation of all manifold seals

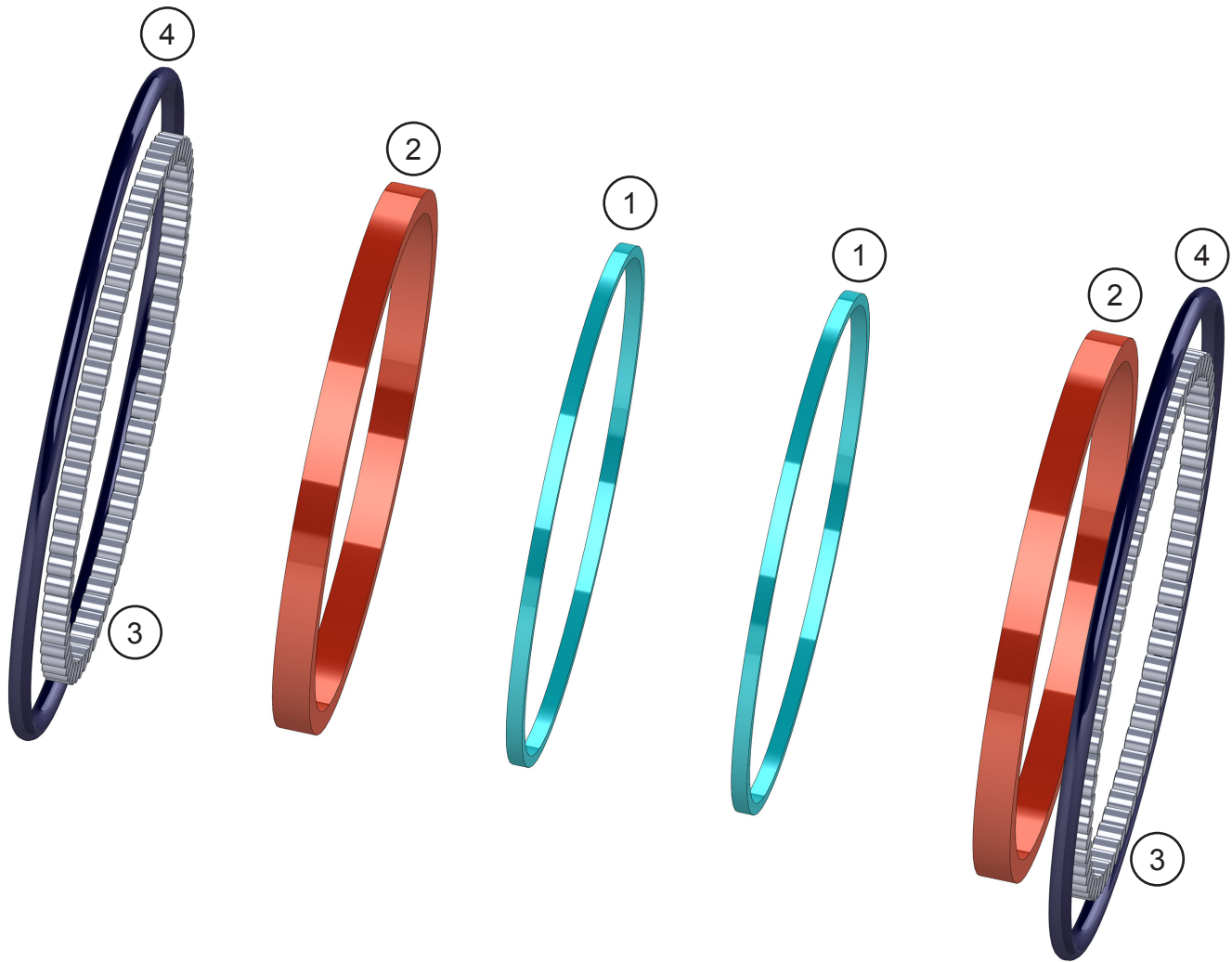


ASSEMBLY SWIVEL MANIFOLD - 6350082 & 6350093

ITEM	QTY	PART NUMBER	DESCRIPTION
1	1	* For replacement parts call the Genesis Parts Department. USA 715-395-5614 715-395-3405 Europe +49 83 31 9 25 98 0	Spool
2	1		Housing
3	1		Keeper Plate
4	4		3/8" Socket Head Capscrew
5	2		-20 SAE Plug
6	2		-04 SAE Plug
7	5		1/2" Socket Head Capscrew
8	5		1/2" Lock Washer
9	1		Torque Arm

* Your GXT 995 mobile shear will contain one of two swivel manifolds, Part Number 6350082 or 6350093. If the swivel manifold housing is marked 02-104 or 9332-, the shear contains swivel manifold 6350082. If the swivel manifold housing is marked 02-108 or 9412-, the shear contains swivel manifold 6350093.

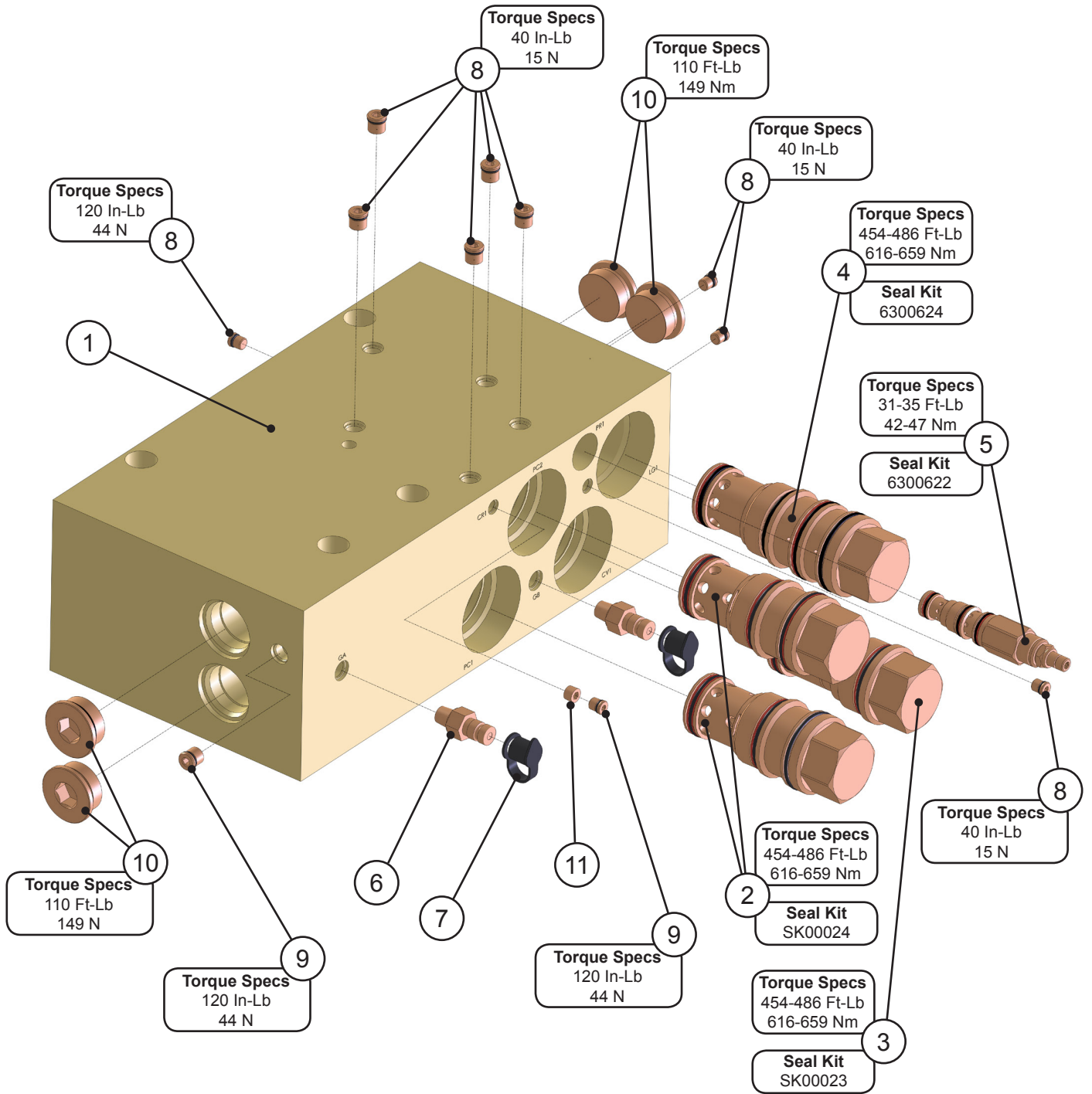
ASSEMBLY SWIVEL MANIFOLD PACKING KIT - SK00107 & SK00150



ASSEMBLY SWIVEL MANIFOLD PACKING KIT - SK00107 & SK00150

ITEM	QTY	PART NUMBER	DESCRIPTION
1	2	These Items ONLY Available in Packing Kits*	High Pressure Seal
2	2		Crown Seal
3	130		Roller Bearing
4	2		O-Ring
* Swivel manifold housing stamped 9332- requires Packing Kit SK00107. Swivel manifold housing stamped 9412- requires Packing Kit SK00150.			

REGEN BLOCK SUB-ASSEMBLY - 6360021

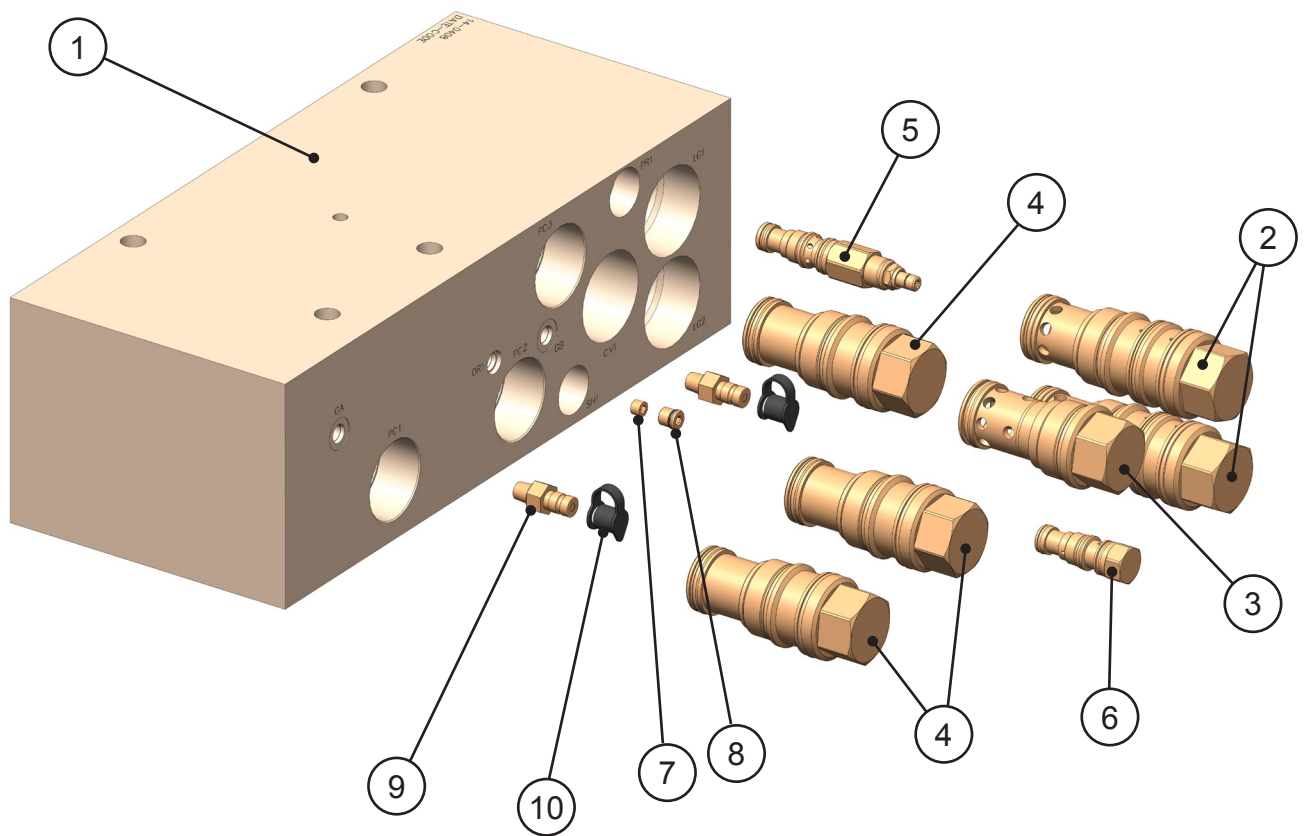


REGEN BLOCK SUB-ASSEMBLY - 6360021

ITEM	QTY	PART NUMBER	DESCRIPTION
1	1	6360021	Valve Regen
2	2	6300061	Pilot to Close Check Valve Seal Kit SK00024
3	1	6380011	Check Valve Seal Kit SK00023
4	1	6300623	Logic Valve Seal Kit 6300624
5	1	6300625	Pressure Reducing Valve Seal Kit 6300622
6	2	6300088	Diagnostic Nipple
7	2	6310001	Diagnostic Nipple Dust Cap
8	9	6300075	Plug Socket Head 02MB
9	2	6300076	Plug Socket Head 04MB
10	4	6300078	Plug Socket Head 16MB
11	1	6300903	Plug Pipe Orifice 01MP 1/16-27 NPT

Your GXT 995 mobile shear will contain one of two regens, Part Number 6360021 or 6360024. If the Mach Plt Frmd Valve Tray is under the regen, the shear contains regen 6360021. If the Mach Plt Frmd Valve Tray is on top of the regen, the shear contains regen 6360024.

REGEN BLOCK SUB-ASSEMBLY - 6360024

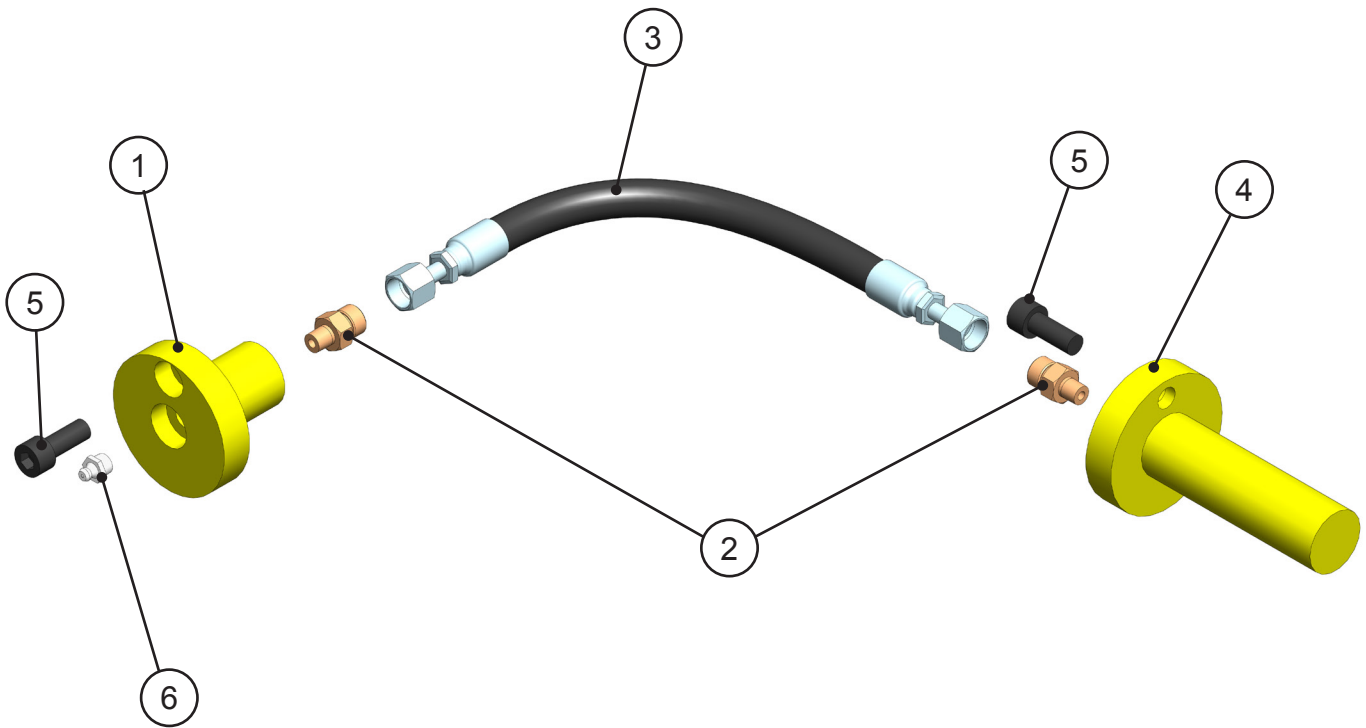


REGEN BLOCK SUB-ASSEMBLY - 6360024

ITEM	QTY	PART NUMBER	DESCRIPTION
1	1	6360024	Valve Regen
2	2	6300623	Logic Valve
3	1	6380011	Check Valve
4	3	6300061	Pilot to Close Check Valve
5	1	6300625	Pressure Reducing Valve
6	1	6301200	Shuttle Valve
7	1	6300903	Plug Pipe Orifice 01MP 1/16-27 NPT
8	1	6300075	Plug Socket Head 02MB
9	2	6300088	Diagnostic Nipple
10	2	6310001	Diagnostic Nipple Dust Cap

Your GXT 995 mobile shear will contain one of two regens, Part Number 6360021 or 6360024. If the Mach Plt Frmd Valve Tray is under the regen, the shear contains regen 6360021. If the Mach Plt Frmd Valve Tray is on top of the regen, the shear contains regen 6360024.

ASSEMBLY SLEWING RING LUBRICATION



ASSEMBLY SLEWING RING LUBRICATION

ITEM	QTY	PART NUMBER	DESCRIPTION
1	1	5512411	Mach Grease Bulkhead Adaptor
2	2	6300731	Adaptor 02MP-04MO
3	1	1105888	Assy Hose 0° x 0° 4M2T
4	1	5512419	Mach Slewing Ring Grease Adaptor
5	2	F0610035	Socket Head Capscrew M10 x 1.50 x 35
6	1	6200002	Grease Fitting

WARRANTY

Claim Procedure

Notify the Genesis Service Department of the potential warranty claim prior to making the repair. Digital pictures are very helpful for diagnosing problems and recommending repairs.

Contact the Genesis Service Department before making alterations, changes or repairs to any component that is going to be considered for warranty. Not doing so will void all Genesis warranty consideration.

The Genesis Service Department will issue an authorization number to track the repair costs, outgoing parts, and/or defective parts returning to the factory.

Replacement parts must be ordered using a purchase order number. Shipping is standard ground. Overnight shipping is available by request, and Genesis will not cover the shipping charge.

When the repair is complete, submit an invoice to the Genesis Service Department within 30 days. Include itemized internal labor reporting, parts lists and invoices for outside contractors. Reference the authorization number on all invoices.

When returning parts for warranty consideration, include a copy of any related Genesis paperwork along with any other necessary documentation to ensure proper processing and credit. The Genesis Service Department will provide the necessary forms.

Your account will be credited when the warranty claim is accepted.

Blade Warranty

Standard warranty on blades will only be considered on the first edge, and wear on the edge must be 1/8" radius or less. Genesis does not warranty cutting blades that are cracked or broken from top to bottom (perpendicular to the long edge of the blade). Genesis also does not cover fasteners, the labor to replace wear components or collateral damage, such as blade seats, from broken blades, the piercing blade tang or adjustment plates.

Please direct any questions to the Genesis Service Department: 715-395-5252

PARTS ORDER POLICY AND PROCEDURE

Parts Orders Should Include

- Purchase order number
- Model and serial number of attachment
- Part number and quantity needed
- Shipping and billing address
- Method of shipment or required delivery date

Placing Orders

Orders may be placed by phone, e-mail or fax. To fax an order, use the form on the following page. Contact information is located at the front of this manual.

Part Numbers

Part numbers are listed in a separate Parts Manual or, if included, the Parts section of this manual. Contact the Genesis Parts Department with questions regarding part numbers, availability and pricing.

Shipping

All orders will be shipped best way surface unless an alternate shipping method is requested. Shipping charges are not included in the purchase price of parts.

Invoices

All invoices are due upon receipt. Any accounts with invoices open beyond 60 days are subject to review and may be placed on C.O.D. status without further notice.

Returns

Unused Genesis parts may be returned with proper documentation. Return shipping is the responsibility of the purchaser. Credit will be issued upon return, less a 20% restocking fee. Documentation is required for credit of returned parts. Contact the Genesis Parts Department at 715-395-5252 for a RGA (Return Goods Authorization) number and form.

Return Goods Authorization

All parts returned to Genesis for warranty consideration must be returned with a completed RGA (Return Goods Authorization) provided by the Genesis Parts Department. The form needs to be completed in its entirety, including any additional information requested by the Parts or Service Department. Return freight is the responsibility of the shipper and will be credited upon claim approval. A determination to accept or deny the claim will be made based on the information available to Genesis. Warranty on purchased parts other than wear components is 6 months. There is no warranty period on wear parts or components.



GENESIS®

The Promise of Performance.

PARTS ORDER FORM

Customer: _____

Date: _____

Phone: _____

Contact: _____

Shipping Address: _____

Fax: _____

Billing Address:

Purchase Order: _____

Shipping Method: _____

Model: _____

Serial Number: _____

Quantity	Part Number	Description	Price

Fax to the Genesis Parts Department at 715-395-3411
For assistance, call 715-395-5252 or e-mail genesisparts@genesisattachments.com

INDEX

- 1-1/2" Split Flange Kit 31, 33
- 1-1/4" Split Flange Kit 31
- 1/2" Lock Washer 43
- 1/2" Socket Head Capscrew 43
- 2" Split Flange Kit 33
- 3/8" Socket Head Capscrew 43
- 4 SAE Plug 39, 43
- 20 SAE Plug 39, 43
- 1101646 Mach Thrust Washer 7, 9
- 1101649 Shim Set Thrust Washer 7, 9
- 1101957 Mach Blade Razor 11
- 1102487 Mach Pin Keeper (Clevis) 17
- 1102857 Mach Bolt Socket Head Capscrew 1.25-7 x 4.50 13
- 1103104 Mach Blade 11, 13
- 1103394 Blade Shim Set 11
- 1104443 Mach Adjust Plate 11
- 1104445 Mach Adjust Plate 11
- 1104799 Mach Bearing 7, 9
- 1105854 Mach Flange Shoulder Bolt 19
- 1105868 Plt Rear Cover 19
- 1105883 Plt Bolt Cover 21
- 1105888 Assy Hose 0° x 0° 4M2T 51
- 1105992 Mach Auto Guide 15
- 1106465 Hose 06-2WR16-06FFORX-06FFORX90M-20.50 25
- 1106466 Hose 08-2WR16-08FFORX-08FFORX90M-20.50 25
- 1106478 Shim Set, Auto Guide 15
- 1106667 Mach End Cap 7, 9
- 1106669 Mach Tie Rod Nut 7, 9
- 1106677 Mach Plt Frmd Valve Tray 31
- 1106711 Hose 08-2WR16-08FFORX-08FFORX-20.50 25
- 1106712 Hose 06-2WR16-06FFORX-06FFORX90M-20.50 25
- 1106747 Wtmg Stick 5
- 1106760 Wtmg Upper 5
- 1106764 Mach Rear Cyl Pin 17
- 1106765 Mach Pin Keeper Rear 17
- 1106767 Mach Bearing Upper Cylinder Connection 17
- 1106769 Wldt Front Cyl Pin 17
- 1106770 Mach Main Shaft 9
- 1106772 Mach Tie Rod 7
- 1106777 Wldt Cover 19
- 1106782 Mach Blade Tip Left 13
- 1106783 Mach Blade Tip Right 13
- 1106784 Mach Blade Guide 11
- 1106785 Mach Guide Blade Adjust Plate 11
- 1106786 Mach Guide Blade Adjust Plate 11
- 1106799 Guide Shim Set, Blade Side 11
- 1106800 Guide Shim Set, Guide Side 11
- 1107041 Valve Tray 33
- 1107067 Hose 24-6WR13-32FLH62-24FLH9062-37L 31, 33
- 1107068 Hose 24-6WR13-32FLH62-24FLH9062-37R 31, 33
- 1107069 Hose 24-6WR13-32FLH62-24FLH4562-36 31, 33
- 1107070 Hose 32-6WR13-32FLH62-32FLH4562-34 31, 33
- 5500752 Plt Strap 21
- 5512411 Mach Grease Bulkhead Adaptor 51
- 5512419 Mach Slewing Ring Grease Adaptor 51
- 5513129 Wtmg Sub Head 21
- 5513200 Plt Sub Head Cover 21
- 6200002 Grease Fitting 7, 9, 15, 17, 21, 51
- 6300014 Diagnostic Nipple 06MB 25
- 6300023 Adaptor Bulkhead 08MO-08MO 25
- 6300052 Adaptor 12MB-08MO 25
- 6300061 Pilot to Close Check Valve 47, 49
- 6300075 Plug Socket Head 02MB 47, 49
- 6300076 Plug Socket Head 04MB 47
- 6300078 Plug Socket Head 16MB 47
- 6300088 Diagnostic Nipple 27, 47, 49
- 6300148 Adaptor 06MO-08MB 25
- 6300303 Adaptor 08MB-18MO-90 25
- 6300361 Valve Flow Control 29
- 6300364 Filter 29
- 6300407 Adaptor Run Tee 06FOX-06MO-06MO 25
- 6300430 Bearing Slewing 23
- 6300446 Gear Box 23
- 6300497 Adaptor Bulkhead 08MB-08MO 29
- 6300501 Valve Relief 27
- 6300512 Adaptor 12MB-08FB 25
- 6300523 Adaptor 08MB-08MB 29
- 6300609 Valve Line Body 29
- 6300623 Logic Valve 47, 49
- 6300625 Pressure Reducing Valve 47, 49
- 6300731 Adaptor 02MP-04MO 51
- 6300903 Plug Pipe Orifice 01MP 1/16-27 NPT 47, 49
- 6301112 O-Ring 19
- 6301200 Shuttle Valve 49
- 6310001 Diagnostic Nipple Dust Cap 25, 27, 47, 49
- 6340012 Motor 23, 25
- 6360021 Valve Regen 47
- 6360024 Valve Regen 49
- 6380011 Check Valve 47, 49
- 6380035 Valve Counterbalance 27
- 6380079 Valve Block 27
- Assembly Access Covers 5, 18, 19
- Assembly Auto Guide 5, 14, 15
- Assembly Cylinder 5
- Assembly Cylinder 6350081 & 6350092 - B16 R10 S38 34, 35
- Assembly Cylinder B16 R10 S38 31, 33
- Assembly Cylinder Packing Kit 5, 36, 37
- Assembly Cylinder Pins 5, 16, 17
- Assembly Lower Blades 5, 10, 11
- Assembly Open and Close Circuit 5

INDEX

- Assembly Open and Close Circuit - 6350081 30, 31
- Assembly Open and Close Circuit - 6350092 32, 33
- Assembly Pivot Group - Left Side 5, 8, 9
- Assembly Pivot Group - Right Side 5, 6, 7
- Assembly Rotation 5
- Assembly Rotation Circuit 5
- Assembly Rotation Circuit - Piston Motor 24, 25
- Assembly Rotation - Piston Motor 22, 23
- Assembly Slewing Ring Lubrication 5, 50, 51
- Assembly Swivel Manifold 5, 31, 33
- Assembly Swivel Manifold - 6350082 & 6350093 38, 39, 42, 43
- Assembly Swivel Manifold Packing Kit - SK00107 & SK00150 44, 45
- Assembly Swivel Manifold Packing Kit SK00208 & SK00209 40, 41
- Assembly Swivel Manifold Seal Kit 5
- Assembly Upper Blades 5, 12, 13
- Assembly Upper Head 5, 20, 21
- Barrel - 2 Port 39
- Bearing 4 41
- Bearing 4-3/4 41
- Buffer Seal 37
- Bushing 35
- Butt and Tube Assembly 35
- Capped T Seal 37
- Cap Seal 41
- Contact Information 2, 58
- Crown Seal 45
- Deep Z Seal 37
- DX Wiper 37
- F0110030 Hex Head Capscrew M10 x 1.50 x 30 21
- F0112030 Hex Head Capscrew M12 x 1.75 x 30 19, 21
- F0112050 Hex Head Capscrew M12 x 1.75 x 50 31
- F0116040 Hex Head Capscrew M16 x 2.0 x 40 33
- F0116060 Hex Head Capscrew M16 x 2.0 x 60 23, 31, 33
- F0120070 Hex Head Capscrew M20 x 2.5 x 70 33
- F0130150 Hex Head Capscrew M30 x 3.5 x 150 23
- F0210200 Hex Head Capscrew 1.00-8 x 2.00 11
- F0210500 Hex Head Capscrew 1.00-8 x 5.00 11, 15
- F0210600 Hex Head Capscrew 1.00-8 x 6.00 11
- F0250200 Hex Head Capscrew .50-13 x 2.00 23, 25
- F0412030 Flat Head Capscrew M12 x 1.75 x 30 7, 9
- F0510550 Flat Head Capscrew 1.00-8 x 5.50 13
- F0510600 Flat Head Capscrew 1.00-8 x 6.00 11
- F0510700 Flat Head Capscrew 1.00-8 x 7.00 13
- F0610035 Socket Head Capscrew M10 x 1.50 x 35 7, 9, 51
- F0612040 Socket Head Capscrew M12 x 1.75 x 40 7, 9
- F0612120 Socket Head Capscrew M12 x 1.75 x 120 31
- F0616035 Socket Head Capscrew M16 x 2.0 x 35 31, 33
- F0620090 Socket Head Capscrew M20 x 2.50 x 90 7, 9
- F0620130 Socket Head Capscrew M20 x 2.50 x 130 17
- F0620230 Socket Head Capscrew M20 x 2.50 x 230 17
- F0703350 Socket Head Capscrew .38-16 x 3.50 25
- F0910008 Hex Nut 1.00-8 11, 13
- F1020250 Nylock Hex Nut M12 x 2.50 17
- F1201021 Flat Washer M10 21
- F1201224 Flat Washer M12 7, 9, 19
- F1201630 Flat Washer M16 23, 31, 33
- F1202037 Flat Washer M20 7, 9
- F1203056 Flat Washer M30 23
- F1300100 Flat Washer Narrow 1.00 11, 13, 15
- F1401000 Flat Washer M10 7, 9
- F1401200 Lock Washer M12 21, 31
- F1401628 Lock Washer M16 31, 33
- F1402000 Lock Washer M20 33
- F1500050 Lock Washer .50 23, 25
- F2510100 Set Screw Socket Head 1.00-8 x 1.00 11
- F3616020 Socket Head Shoulder Screw M16 x 2.0 x 20 31, 33
- General Arrangement 4, 5
- Gland 35
- Gland Bearing Seal 37
- Gland Seals 36
- H0262125 Split Flange Half 1.25 Code 62 31
- H0262150 Split Flange Half 1.50 Code 62 31, 33
- H0262200 Split Flange Half 2.00 Code 62 33
- High Pressure Seal 45
- Housing 43
- Keeper Plate 43
- Kuver Seal 37
- Mach Bearing 21
- Mach Boom Bearing 21
- Mach Port Block 31
- Mach Port Block (Not Shown) 33
- Mach Spacer Sleeve 21
- O-Ring 31, 37, 41, 45
- O-Ring (90 Durometer) 37
- O-Ring (Not Shown) 33
- Parts Order Form 54
- Parts Order Policy and Procedure 53
- Pin Seal 35
- Piston 35
- Piston Bearing Ring 37
- Piston Rod Assembly 35
- Piston Seals 36
- Regen Block Sub-Assembly - 6360021 46, 47
- Regen Block Sub-Assembly - 6360024 48, 49
- Retaining Plate 39
- Retaining Ring 39
- Roller Bearing 45
- S0190214 O-Ring (90 Durometer -214) 23, 25
- S0190222 O-Ring 31
- S0190225 O-Ring (90 Durometer -225) 31, 33
- S0190228 O-Ring (90 Durometer -228) 33
- S0190250 O-Ring (90 Durometer -250) 23, 25
- S0190350 O-Ring (90 Durometer -350) 7, 9

INDEX

Seal Kit 6300622	46, 47
Seal Kit 6300624	46, 47
Seal Kit 6300633	26, 27
Seal Kit 6300634	28, 29
Seal Kit SK00023	46, 47
Seal Kit SK00024	46, 47
Seal Kit SK00058	26, 27
Seal Plate	35
Shim Set	11, 15
SK00123	37
SK00142	37
Socket Head Capscrew	35
Socket Head Capscrew M12 x 1.75 x 30	39
Socket Head Capscrew M12 x 2.0 x 45	39
Socket Head Capscrew M16 x 2.00	31
Socket Head Capscrew M16 x 2.00 (Not Shown)	33
Spacer	35
Spool	43
Spool - 2 Port	39
Sub-Assembly Line Mount Manifold	5, 25, 28, 29
Sub-Assembly Regen Block	5
Sub-Assembly Rotate Cross-over / C'bal	5, 25, 26, 27
Table of Contents	3
Thrust Ring	39
Torque Arm	39, 43
Valve Regen	31, 33
Vented Back Up Washer	37
Warranty	52
Wildt Pin	21
Wtmg Lug Upper Head	5, 21



GENESIS®

The Promise of Performance.

CONTACT INFORMATION

World Headquarters Genesis Attachments

1000 Genesis Drive
Superior, WI 54880 USA

Toll Free: 888-SHEAR-IT
(888-743-2748)

Phone: 715.395.5252
Fax: 715.395.5255

E-mail:
info@genesisattachments.com

Europe/Africa/Middle East Genesis GmbH

Teramostrasse 23
87700 Memmingen, Germany

Phone: +49 83 31 9 25 98 0
Fax: +49 83 31 9 25 98 80
genesis-europe.com

E-mail:
info@genesis-europe.com

Asia Pacific Representative Office

24 Upper Serangoon View #12-28
Singapore 534205

Phone: +65 9673 9730

E-mail:
tchoo@genesisattachments.com

Central & South America, The Caribbean

Cra 13A #89-38 / Ofi 613
Bogota, Colombia

Phone: +57 1 610 8160 / 795 8747

E-mail:
contact@themsagroup.com

Brazil

Avenida Araça, 1677
Campinas - São Paulo

Phone: +55 19 9 9989-8803

E-mail:
gel@themsagroup.com

View and download all manuals at genesisattachments.com/manuals.asp

Patents: genesisattachments.com/patents