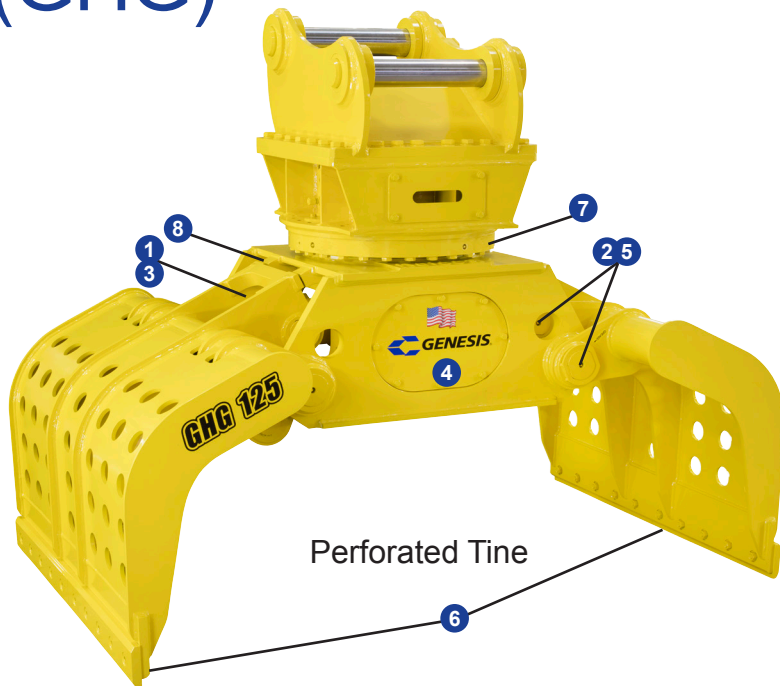


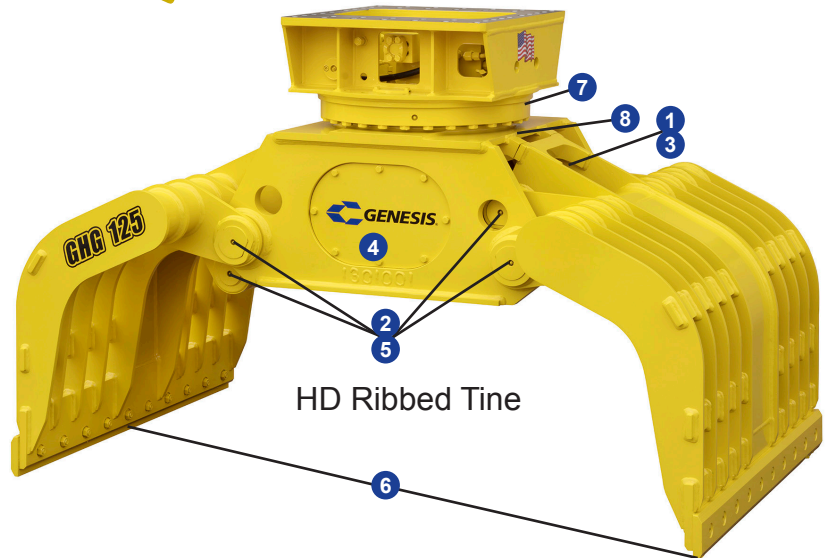
Handling Grapple (GHG)

FEATURES

- 1 Single cylinder with dual drag links minimizes the number of moving parts and simplifies the hydraulic system
- 2 Streamlined tine, frame and linkage design with easy-to-locate grease fittings simplifies maintenance
- 3 Oversized cylinder design incorporates rod protection, maximum crushing force to densify material, bolt-on gland cap for durability, and easy maintenance
- 4 Large recessed side covers provide easy access to internal components while protecting the cover fasteners
- 5 Common pins, pin keepers and bearings
- 6 Tines close at a very flat angle to assist in compacting material
- 7 Strong rotation system resists back-driving forces when compressing material
- 8 Positive tine stops take the load off the cylinder, extending life

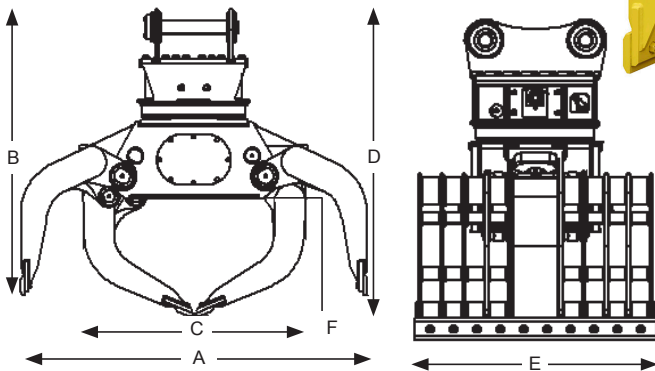


Perforated Tine



HD Ribbed Tine

Ribbed and Perforated Tine



APPLICATIONS

- Waste Handling and Recycling
- C & D Material Handling and Sorting
- Primary Demolition

Metric Specs:

Model	Capacity (m ³)	DIAGRAM DIMENSION		A Jaw Open Width (mm)	B Jaw Open Height (mm)	C Jaw Closed Width (mm)	D Jaw Closed Height (mm)	E Tine Width Footprint (mm)	F Jaw Closed Depth (mm)	Min. Machine Size (mt)
		Weight* (kg)	Ribbed							
GHG 75	0.57	1,429	1,451	2,032	1,740	1,194	1,905	959	660	15 - 22
GHG 100	0.76	1,950	1,905	2,210	1,791	1,422	1,905	1,105	711	20 - 29
GHG 125	0.96	2,223	2,177	2,210	1,791	1,422	1,905	1,346	711	25 - 38

*Weight includes connection bracket.

Genesis Handling Grapples are covered by a 12-month, 1,500-hour (whichever occurs first) warranty.

Genesis reserves the right to continually make product improvements designed to positively enhance product performance.

Patents: genesisattachments.com/products/patents