

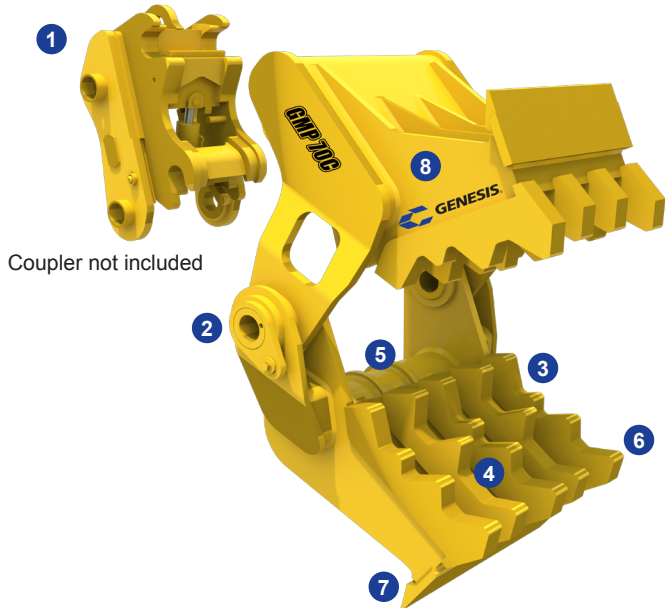
Mechanical Pulverizer C Series (GMP C)

FEATURES

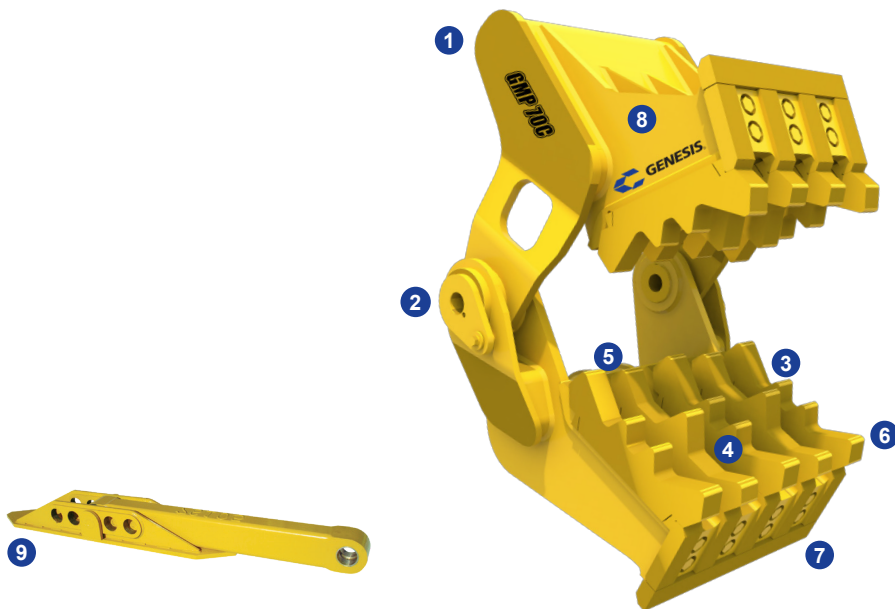
- 1 The C Series is specifically designed to provide optimal performance with a quick coupler
- 2 Independent pivot groups keep the jaws together when not connected to the coupler
- 3 Available in two models:
 - With weld-in teeth that can be rebuilt in place for extended life
 - or
 - With bolt-in teeth that are easily replaced in the field for minimal downtime and can be rotated front to back for longer life
- 4 Pass-through jaw design provides easy material processing and prevents jamming
- 5 Offset teeth rows maximize the ability to downsize material
- 6 All teeth extend beyond chin to protect parent steel from wear and abrasion
- 7 Extended chin blades aid in positioning concrete for processing
- 8 Built with Strenx™ steel for the best combination of structural strength and wear durability
- 9 Stiff arm and mounting pad included

APPLICATIONS

- Demolition
- C & D Processing
- Concrete Recycling



GMP 70C and 90C Weld-in Teeth Jaw Configuration



GMP 70C and 90C Bolt-in Teeth Jaw Configuration

| Model | Weight* | Jaw Opening** | Jaw Depth | Moving Jaw Width | Fixed Jaw Width | Tooth Configuration | Excavator Weight |
|----------------|---------|---------------|-----------|------------------|-----------------|---------------------|------------------|
| | (lbs.) | (ins.) | (ins.) | (ins.) | (ins.) | | (lbs.) |
| GMP 50C | 4,800 | 32 | 25 | 27.50 | 34 | 3/4 | 40,000 - 60,000 |
| GMP 70C | 5,800 | 36 | 29 | 29.25 | 36 | 4/5 | 60,000 - 80,000 |
| GMP 90C | 7,000 | 40 | 32.5 | 33.75 | 41 | 4/5 | 80,000 - 110,000 |

*Weight includes mounting bracket and stiff arm.

**Jaw opening varies slightly depending on excavator mounting location.

All Genesis Mechanical Pulverizers are covered by a 12-month, 1,500-hour (whichever occurs first) warranty.

Genesis reserves the right to continually make product improvements designed to positively enhance performance.

Strenx™ is a trademark of SSAB.

Patents: genesisattachments.com/products/patents