

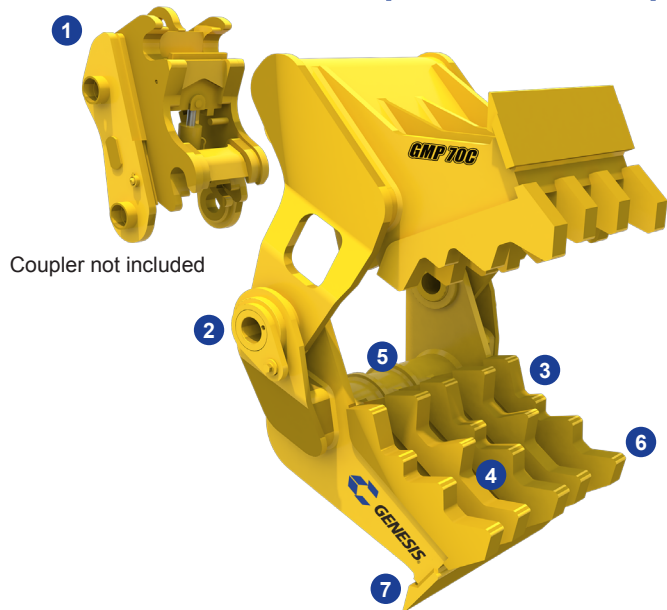
# Mechanical Pulverizer C Series (GMP C)

## FEATURES

- 1 The C Series is specifically designed to provide optimal performance with a quick coupler
- 2 Independent pivot groups keep the jaws together when not connected to the coupler
- 3 Available in two models:
  - With weld-in teeth that can be rebuilt in place for extended life
  - or
  - With bolt-in teeth that are easily replaced in the field for minimal downtime and can be rotated front to back for longer life
- 4 Pass-through jaw design provides easy material processing and prevents jamming
- 5 Offset teeth rows maximize the ability to downsize material
- 6 All teeth extend beyond chin to protect parent steel from wear and abrasion
- 7 Extended chin blades aid in positioning concrete for processing
- 8 Stiff arm and mounting pad included

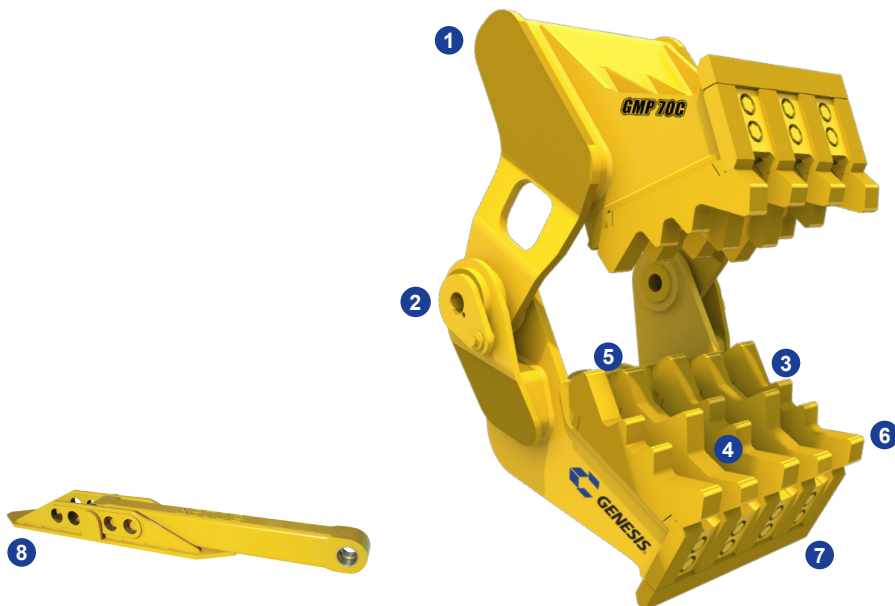
## APPLICATIONS

- Demolition
- C & D Processing
- Concrete Recycling



Coupler not included

GMP 70C and 90C Weld-in Teeth Jaw Configuration



GMP 70C and 90C Bolt-in Teeth Jaw Configuration

Model	Weight*	Jaw Opening**	Jaw Depth	Moving Jaw Width	Fixed Jaw Width	Tooth Configuration	Excavator Weight
	(lbs.)	(ins.)	(ins.)	(ins.)	(ins.)		(lbs.)
<b>GMP 50C</b>	4,800	32	25	27.50	34	3/4	40,000 - 60,000
<b>GMP 70C</b>	5,800	36	29	29.25	36	4/5	60,000 - 80,000
<b>GMP 90C</b>	7,000	40	32.5	33.75	41	4/5	80,000 - 110,000

\*Weight includes mounting bracket and stiff arm.

\*\*Jaw opening varies slightly depending on excavator mounting location.

All Genesis Mechanical Pulverizers are covered by a 12-month, 1,500-hour (whichever occurs first) warranty.

Genesis reserves the right to continually make product improvements designed to positively enhance performance.

Patents: [genesisattachments.com/products/patents](http://genesisattachments.com/products/patents)