

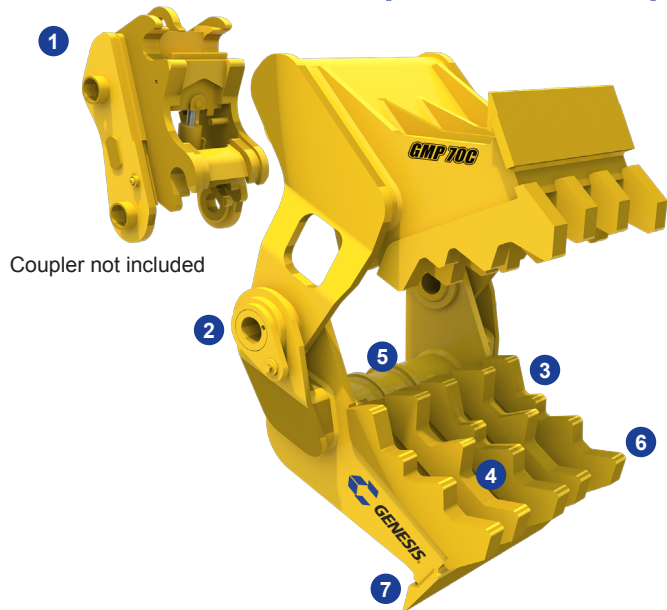
Mechanical Pulverizer C Series (GMP C)

FEATURES

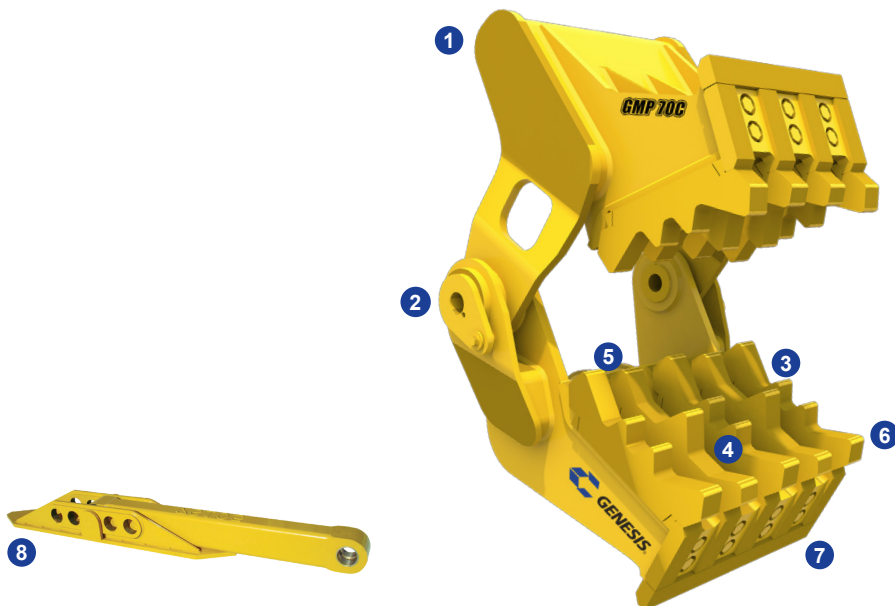
- 1 The C Series is specifically designed to provide optimal performance with a quick coupler
- 2 Independent pivot groups keep the jaws together when not connected to the coupler
- 3 Available in two models:
 - With weld-in teeth that can be rebuilt in place for extended life
 - or
 - With bolt-in teeth that are easily replaced in the field for minimal downtime and can be rotated front to back for longer life
- 4 Pass-through jaw design provides easy material processing and prevents jamming
- 5 Offset teeth rows maximize the ability to downsize material
- 6 All teeth extend beyond chin to protect parent steel from wear and abrasion
- 7 Extended chin blades aid in positioning concrete for processing
- 8 Stiff arm and mounting pad included

APPLICATIONS

- Demolition
- C & D Processing
- Concrete Recycling



GMP 70C and 90C Weld-in Teeth Jaw Configuration



GMP 70C and 90C Bolt-in Teeth Jaw Configuration

Metric Specs:

Model	Weight*	Jaw Opening**	Jaw Depth	Moving Jaw Width	Fixed Jaw Width	Tooth Configuration	Excavator Weight
	(kg)	(mm)	(mm)	(mm)	(mm)		(mt)
GMP 50C	2,177	813	635	699	864	3/4	18 - 27
GMP 70C	2,631	914	737	743	914	4/5	27 - 36
GMP 90C	3,175	1,016	826	857	1,041	4/5	36 - 50

*Weight includes mounting bracket and stiff arm.

**Jaw opening varies slightly depending on excavator mounting location.

All Genesis Mechanical Pulverizers are covered by a 12-month, 1,500-hour (whichever occurs first) warranty.

Genesis reserves the right to continually make product improvements designed to positively enhance performance.

Patents: genesisattachments.com/products/patents