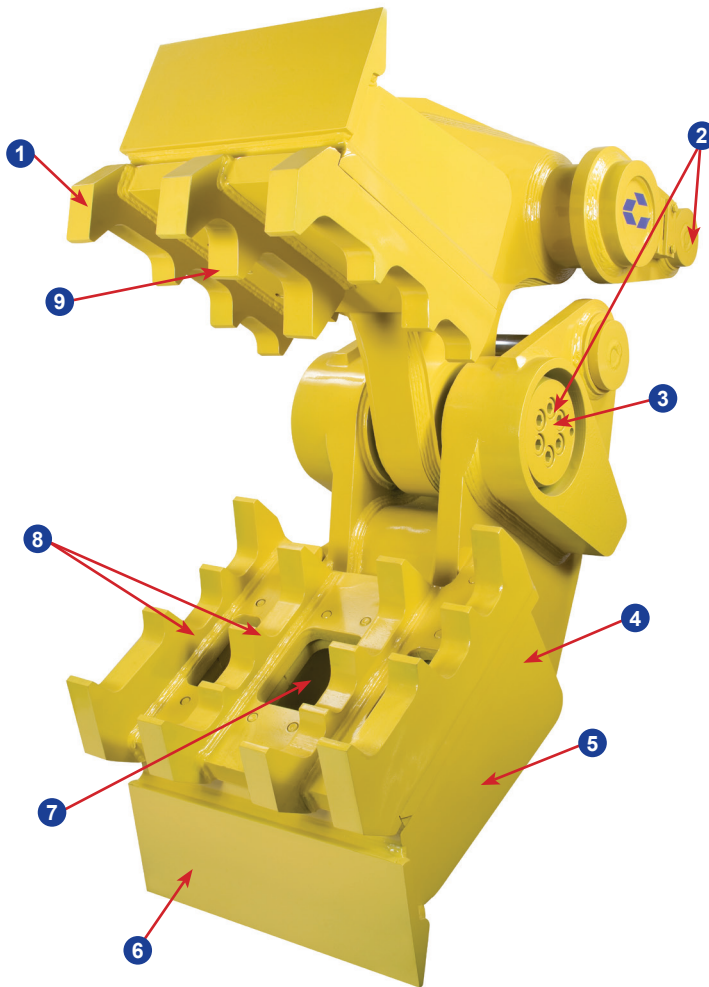


# Mechanical Pulverizer (GMP) **POWER**Series

## FEATURES

- 1 Teeth extend to protect parent steel from wear and abrasion
- 2 Common pivot group and pinning points accommodate the full line of Power Series Linkage tools with one stiff arm - the mounting pad remains in place
- 3 Shrouded heavy-duty pivot design provides structural strength and long-term durability
- 4 The GMP stands upright for easy attachment changes and convenient storage and transport
- 5 Built with Strenx™ steel for the best combination of structural strength and wear durability
- 6 Extended chin blade aids in positioning concrete for processing
- 7 Relief area allows pulverized material to pass through lower jaw
- 8 Bolt-on tooth beds feature a fully replaceable crushing surface, eliminating the need for welding
- 9 Offset teeth rows maximize the ability to downsize material
- 10 Stiff arm and mounting pad included



## APPLICATIONS

- Scrap Processing
- Demolition
- C&D Processing
- Concrete Recycling

## Metric Specs:

| Model  | Weight* | Jaw Opening** | Jaw Depth | Excavator Weight |
|--------|---------|---------------|-----------|------------------|
|        | (kg)    | (mm)          | (mm)      | (kg)             |
| GMP 50 | 2,540   | 762           | 711       | 18 - 27          |
| GMP 70 | 2,815   | 864           | 813       | 27 - 36          |
| GMP 90 | 3,253   | 1,016         | 889       | 36 - 49          |

\*Weight includes mounting bracket and stiff arm.

\*\*Jaw opening varies slightly depending on excavator mounting location.

Genesis linkage attachments are not compatible with quick couplers. Contact Genesis for more information.

All Genesis Mechanical Pulverizers are covered by a 12-month, 1,500-hour (whichever occurs first) warranty.

Genesis reserves the right to continually make product improvements designed to positively enhance performance.

Strenx™ is a trademark of SSAB.

Patents: [genesisattachments.com/patents](http://genesisattachments.com/patents)