

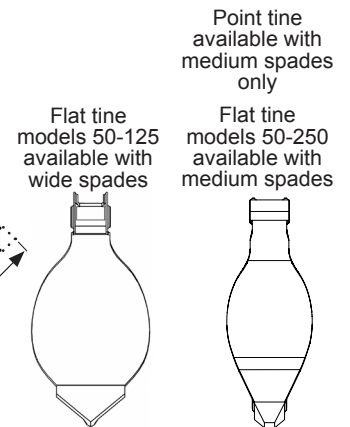
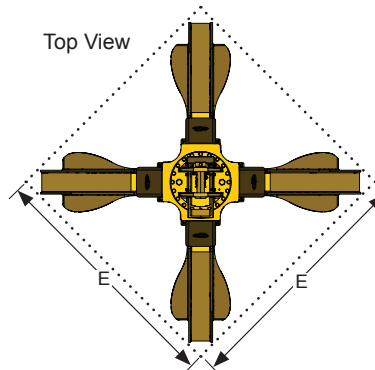
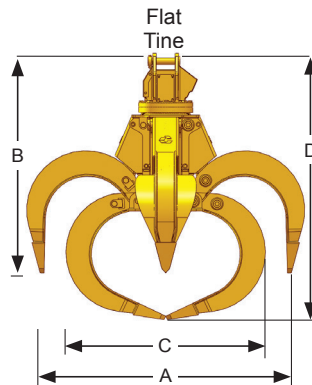
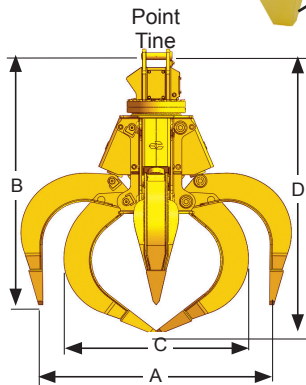
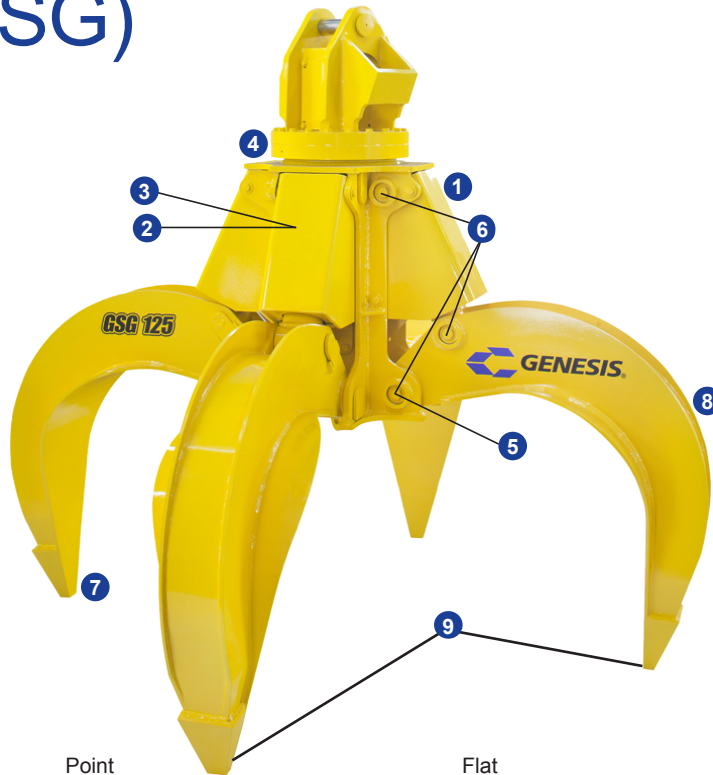
Scrap Grapple (GSG)

FEATURES

- 1 Heavy-duty guarding system completely protects cylinders and internal components, removes easily for internal maintenance access
- 2 Reverse-mounted cylinders protect rods from damage
- 3 Large bore hydraulic cylinders maximize clamping force
- 4 High-torque continuous 360° rotation for handling large and uneven loads
- 5 Large diameter hardened steel pins with integrated shear-proof pin retainers
- 6 Identical hardened steel bearings with dust seals at all pivot points
- 7 Long-life, abrasion-resistant steel tips are easily replaced with simple perimeter weld
- 8 All tine styles feature fully boxed construction for strength and durability
- 9 Overall footprint easily fits inside trailers

APPLICATIONS

- Scrap Handling
- C&D Sorting
- Bulk Material Handling



Metric Specs:

Model	Capacity (m ³)	Weight** (kg)	DIAGRAM DIMENSION		A		B		C		D		E	
			Min. Machine Size (mt)	Jaw Open Width (mm)		Jaw Open Height (mm)		Jaw Closed Width (mm)		Jaw Closed Height (mm)		Footprint (mm)		
				Tine Shape:	Flat	Point	Flat	Point	Flat	Point	Flat	Point	Flat	Point
GSG 50	0.4	1,383	20	***	1,626	***	2,057	***	1,321	***	2,235	***	1,524	
GSG 65	0.5	1,429	20	***	1,753	***	2,108	***	1,372	***	2,311	***	1,626	
GSG 75	0.6	1,474	20	1,880	1,930	***	2,159	***	1,499	2,311	2,413	***	1,778	
GSG 100	0.8	1,588	22	2,007	2,032	***	2,286	***	1,727	2,362	2,540	***	1,854	
GSG 100 HD*	0.8	1,950	25	1,981	2,007	1,956	2,184	1,676	1,600	2,311	2,489	1,803	1,829	
GSG 125	1	1,633	22	2,261	2,184	***	2,337	***	1,803	2,489	2,565	***	2,007	
GSG 125 HD*	1	2,041	27	2,159	2,184	2,007	2,235	1,803	1,702	2,413	2,591	1,956	1,981	
GSG 150	1.1	2,177	30	2,311	2,261	2,057	2,388	1,905	1,829	2,540	2,743	2,032	2,057	
GSG 200	1.5	2,268	40	2,438	2,413	2,083	2,438	1,981	1,930	2,616	2,845	2,134	2,184	
GSG 250	1.9	2,585	45	2,743	2,667	2,134	2,540	2,184	2,159	2,769	2,997	2,388	2,413	

*Heavy-duty

**Weight includes yoke

***Contact your local Genesis Regional Manager for additional information

Genesis Scrap Grapples are covered by a 12-month, 1,500-hour (whichever occurs first) warranty. Genesis reserves the right to continually make product improvements designed to positively enhance product performance. Patents: genesissattachments.com/patents