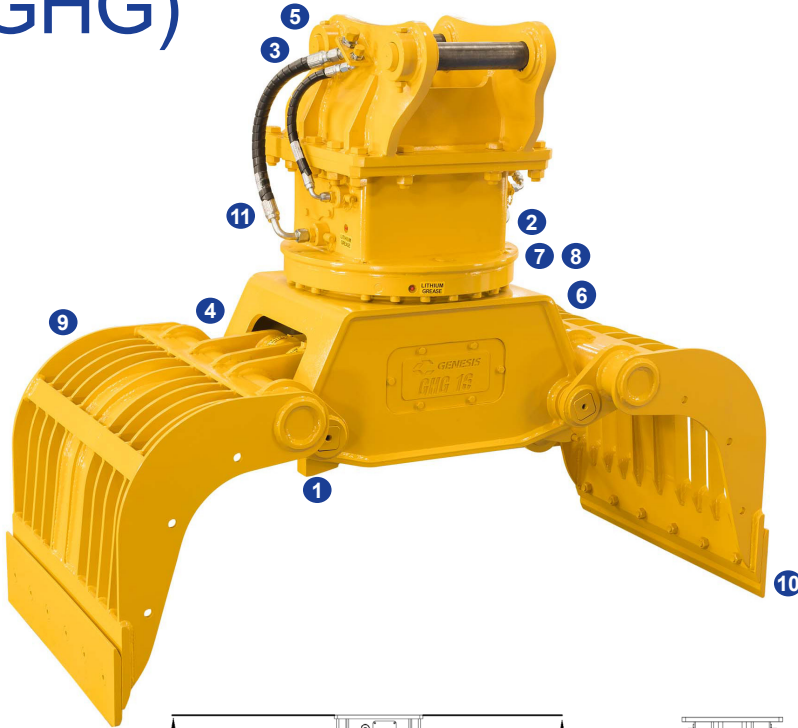
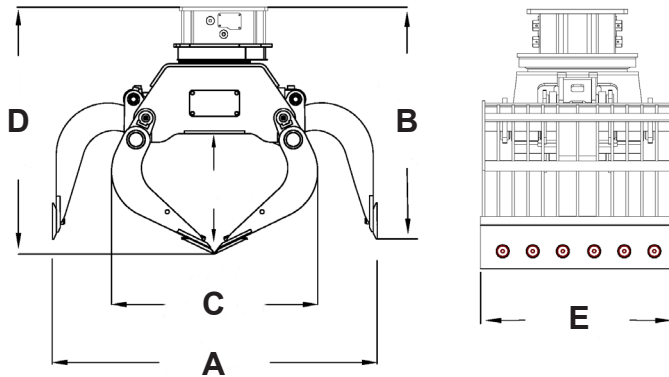


Handling Grapple (GHG)



FEATURES

- 1 Oversized main pins combined with wear bushings and sealed with O-rings
- 2 Powerful hydraulic rotation motor - models GHG 20 and larger feature dual high-torque motors
- 3 No case drain line needed
- 4 Hydraulically cushioned cylinder
- 5 Hydraulic side connections
- 6 Easy maintenance
- 7 Easy accessibility for rotation speed adjustment
- 8 Pilot check valve prevents unexpected opening of the arms
- 9 High-wear areas manufactured of abrasion-resistant Hardox®
- 10 Cutters feature a hardness of 500HB
- 11 Break valves integrated into the hydraulic motor



APPLICATIONS

- Waste Handling and Recycling
- C & D Material Handling and Sorting
- Primary Demolition

Model	Capacity (m ³)	Weight* (kg)	Jaw Open Width (A) (mm)	Jaw Open Height (B) (mm)	Jaw Closed Width (C) (mm)	Jaw Closed Height (D) (mm)	Tine Width Footprint (E) (mm)	Min. Machine Size (mt)
GHG 4	0.09	172	1,143	838	711	902	457	2 - 4
GHG 6	0.15	290	1,346	1,041	864	1,118	508	4 - 6
GHG 9	0.18	449	1,626	1,092	991	1,194	584	5 - 9
GHG 14	0.31	642	1,803	1,168	1,130	1,321	711	7 - 14
GHG 16	0.46	875	1,854	1,245	1,219	1,372	864	10 - 16
GHG 20	0.5	1,250	2,057	1,295	1,321	1,448	940	14 - 20
GHG 25	0.61	1,451	2,159	1,321	1,321	1,499	1,118	16 - 26
GHG 30	0.76	1,851	2,413	1,448	1,575	1,651	1,118	18 - 30
GHG 40	0.92	2,050	2,413	1,499	1,575	1,651	1,372	25 - 40
GHG 50	1.07	2,499	2,438	1,549	1,676	1,651	1,448	35 - 50

* Weight does not include mounting bracket.
 Genesis Handling Grapples are covered by a 12-month, 1,500-hour (whichever occurs first) warranty.
 Patents: genesisattachments.com/products/patents
 Hardox is a trademark of the SSAB group of companies.